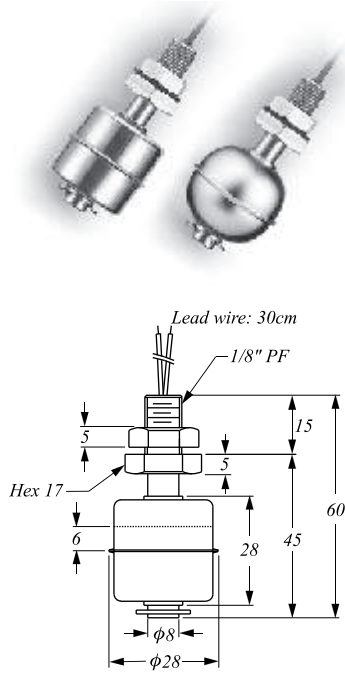


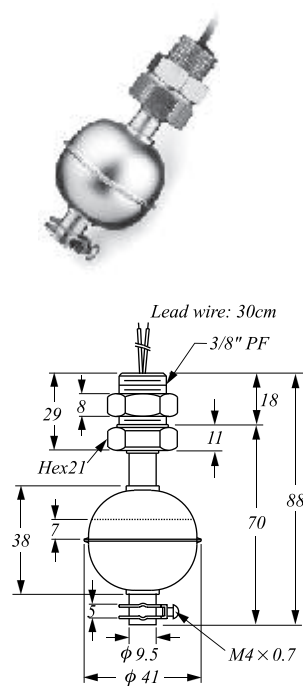
## MINI FLOAT LEVEL SWITCH METAL TYPES

► RF- 30□1/ RF- 35□1



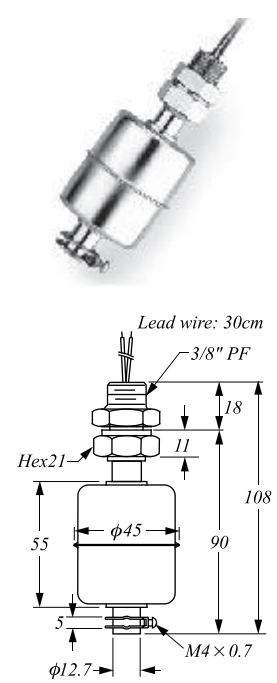
**RU** Drill hole  $\phi 10\text{mm}$

► RF- 40□1



**RU** Drill hole  $\phi 17\text{mm}$

► RF- 45□1



**RU** Drill hole  $\phi 17\text{mm}$

► RF- 30□2



**RU** Drill hole  $\phi 10\text{mm}$

► RF- 40□2



**RU** Drill hole  $\phi 17\text{mm}$

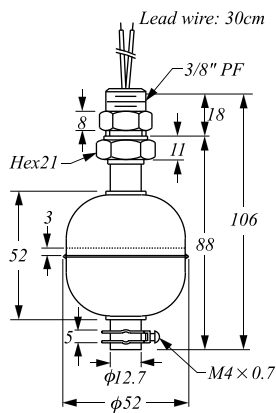
► RF- 45□2



**RU** Drill hole  $\phi 17\text{mm}$

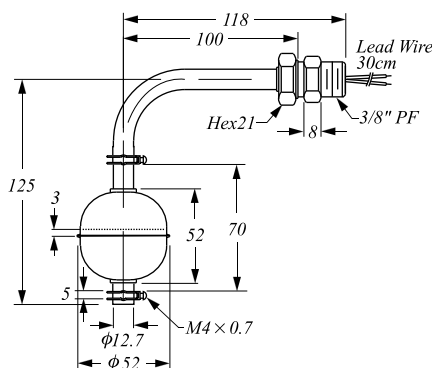
# MINI FLOAT LEVEL SWITCH METAL TYPES

▶ RF-50□1



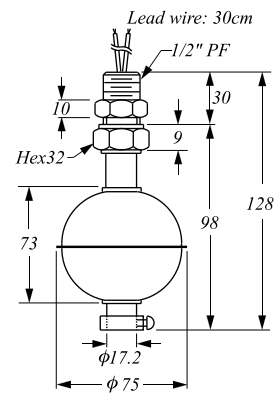
Drill hole φ17mm

▶ RF-50□2



Drill hole φ17mm

▶ RF-75□1



Drill hole φ21mm

## ■ SPECIFICATIONS

Description	Type	RF-30□1D	RF-40□1D	RF-45□1D	RF-50□1D	RF-75□1G	RF-10□1G
		RF-30□2D	RF-40□2D	RF-45□2D	RF-50□2D		
Switching Capacity Max.		50W SPST	50W SPST	50W SPST	50W SPST	60W SPDT	
Switching Voltage Max.		240VAC/200VDC				220VAC	
Switching Current Max. (A)		0.5A	0.5A	0.5A	0.5A	2A	
Carry Current Max. (A)		1A	1A	1A	1A	3A	
Lead Wire		XLPE (UL3266, AWG22)					
Reversible Switch Action		YES	YES	YES	YES	NO	NO
Max. Pressure (Kg/cm <sup>2</sup> )		10	30	12	30	30	10
Operating Temperature		-10~120°C (OPTION 200°C)					
Material		Stainless Steel SUS304, 316					
Suitable Specific Gravity		0.8	0.7	0.65	0.55	0.55	0.5

## ORDER INFORMATION

RF- **30** **6** **2** **D** **A** **10**

**Type** \_\_\_\_\_

- 30** Float :  $\phi 28 \times 28$ , Screw : 1/8"PF
- 35** Float :  $\phi 30 \times 29$ , Screw : 1/8"PF
- 40** Float :  $\phi 41 \times 38$ , Screw : 3/8"PF
- 45** Float :  $\phi 45 \times 55$ , Screw : 3/8"PF
- 50** Float :  $\phi 52 \times 52$ , Screw : 3/8"PF
- 75** Float :  $\phi 75 \times 70$ , Screw : 1/2"PF
- 10** Float :  $\phi 75 \times 108$ , Screw : 1/2"PF


**Material of Wetted parts** \_\_\_\_\_

- 0** : SUS304
- 6** : SUS316

**Mounting** \_\_\_\_\_

- 1** : Top or Bottom Mounting
- 2** : Side Mounting

**Switching Capacity Max.** \_\_\_\_\_

- D**: 50W 200VDC/240VAC SPST 
- F**: 10W 125VAC SPST
- G**: 60W 220VAC SPDT (only use for tube  $\geq \phi 12.7$ )
- H**: 3W 30VAC / 60VDC SPDT (only use for tube  $\leq \phi 9.5$ )
- K**: 20W 150VAC/200VDC SPDT

**Contact Form** \_\_\_\_\_

- A**: Normal Open (N.O.) SPST
- B**: Normal Close (N.C.) SPST
- C**: 1AB SPDT
- D**: N.C. Reversible
- E**: N.O. Reversible

**Lead wire Length** (XLPE 125°C) **L**: Unit=10cm \_\_\_\_\_

- 03**: 30cm (Standard length)
- 05**: 50cm
- 15**: 150cm

## MINI FLOAT LEVEL SWITCH METAL SPECIAL TYPES

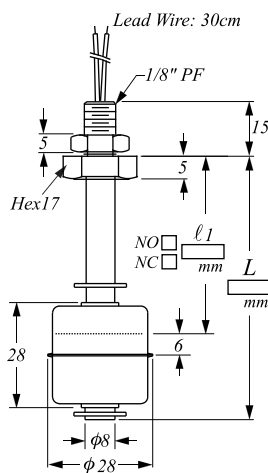
Below items are custom-built subject to special application place and existed equipment facilities. Their unique characters as follow:

- Any size measuring range, but  $\phi 8\text{mm}$  stem

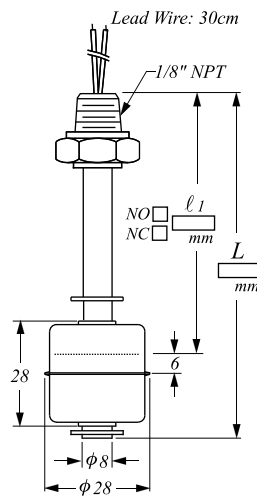
Max. 500mm.

- Customized mounting thread specification are acceptable.
- Single or multiple contact form (point) are workable.

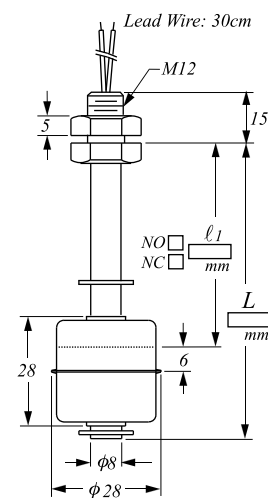
► RF-SA□11



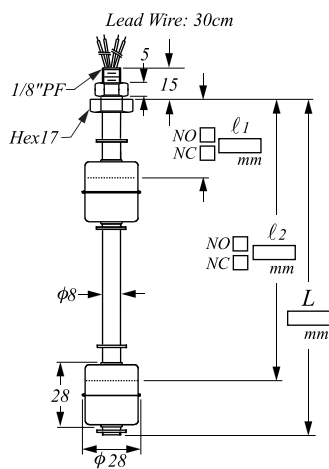
► RF-SB□11



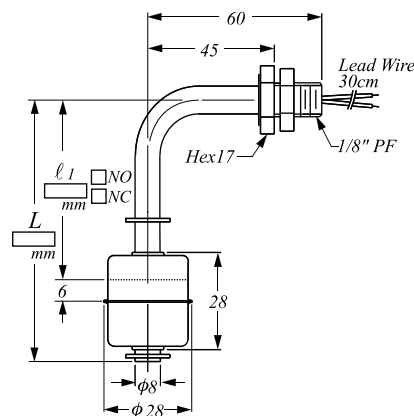
► RF-SC□11



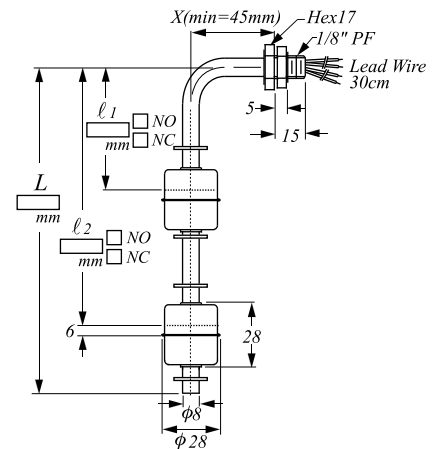
► RF-SA□12



► RF-SA□21



► RF-SA□22

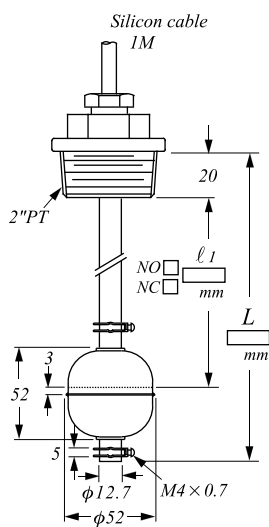


## MINI FLOAT LEVEL SWITCH METAL SPECIAL TYPES

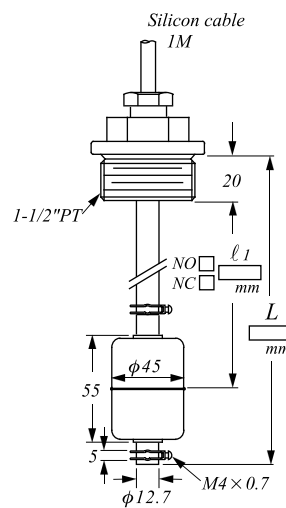
Below items are custom-built subject to special application place and existed equipment facilities. Their unique characters as follow:

- Any size measuring range.
- Customized mounting thread specification are acceptable.
- Single or multiple contact form (point) are workable.
- Switch activation N.O. or N.C. are available.

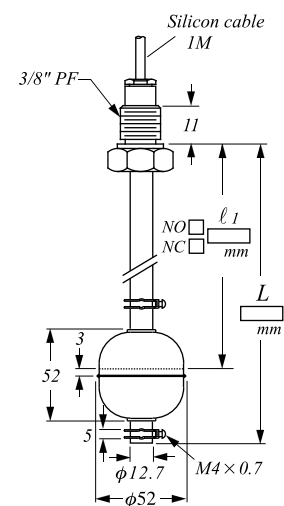
### ▶ RF-SD□11



### ▶ RF-SE□11



### ▶ RF-SF□11



## ORDER INFORMATION

RF- **SA** **6** **1** **2** **D** **A** **05**

### Type

- SA** Float :  $\phi 28 \times 28$ , Screw : 1/8"PF
- SB** Float :  $\phi 28 \times 28$ , Screw : 1/8"PT
- SC** Float :  $\phi 28 \times 28$ , Screw : M12
- SD** Float :  $\phi 52 \times 52$ , Screw : 2"PT
- SE** Float :  $\phi 45 \times 55$ , Screw : 1-1/2"PF
- SF** Float :  $\phi 75 \times 108$ , Screw : 3/8"PF

### Material of Wetted parts

- 0** : SUS304
- 6** : SUS316
- B** : Brass


### Mounting

- 1** : Top or Bottom Mourting (tube onlly)
- 2** : Side Mounting

### Float Number

**1~2** floats

### Switching Capacity Max.

- D** : 50W 200VDC/240VAC SPST 
- F** : 10W 125VAC SPST Break Down 220VAC
- G** : 60W 220VAC SPDT (only use for tube  $\geq \phi 12.7$ )
- H** : 3W 30VAC / 60VDC SPDT (only use for tube  $\leq \phi 9.5$ )
- K** : 20W 30VAC / 60VDC SPDT (only use for tube  $\leq \phi 9.5$ )

### Contact Form

- A** : Normal Open (N.O.) SPST
- B** : Normal Close (N.C.) SPST
- C** : 1AB SPDT

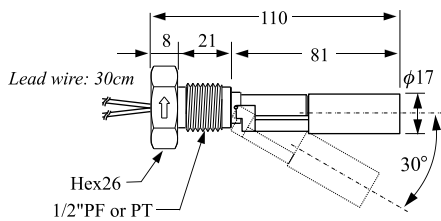
### Lead wire Length (Silicon Cable) L: Unit=10cm

- 03** : 30cm (SA, SB, SC, Standard length)
- 05** : 50cm
- 10** : 100cm (SD, SE, SF, Standard length)
- 15** : 150cm

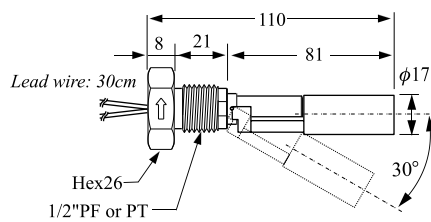
- ※ Tolerance of the total product length is  $\pm 5$ mm.
- ※ Characteristics, specifications and dimensions are subject to change without notice.
- ※ Please contact your nearest distributing office for further informations.

# METAL SINGLE SWITCH TYPES

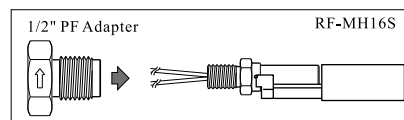
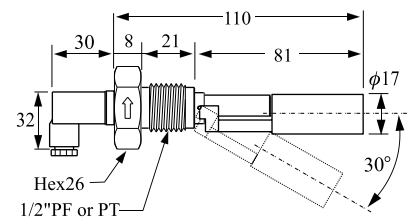
► RF- MH16



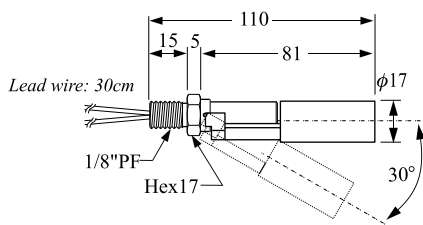
► RF- MH16A  
(MH16S+Adapter)



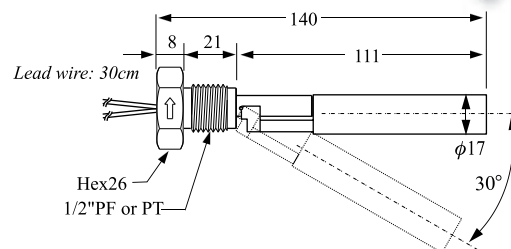
► RF- MH16C



► RF- MH16S



► RF- MH26

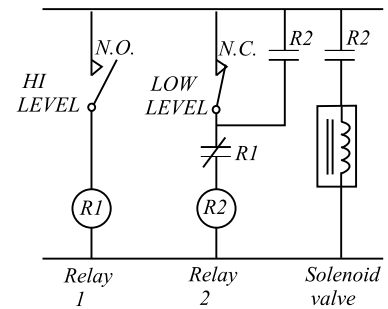
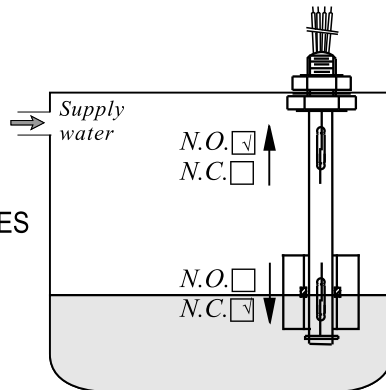


## ■ SPECIFICATIONS

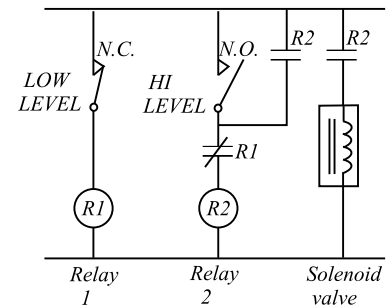
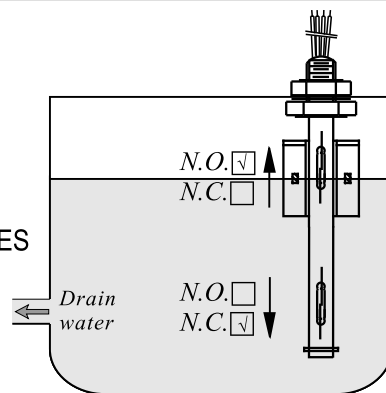
Type	Material	Switching Capacity Max.	Switching Voltage Max.	Switching Current Max.	Carry Current Max.	Lead Wire	Max. Pressure	Operating Temp.	Suitable Sp. Gr.
RF-MH16	SUS304	50W/SPST	240VAC	0.5A	1A	XLPE or TEFLON	5 kg/cm <sup>2</sup>	-10~120°C	0.8
RF-MH26			200VDC					(Max.200°C)	0.7

## TYPICAL WIRING DIAGRAMS

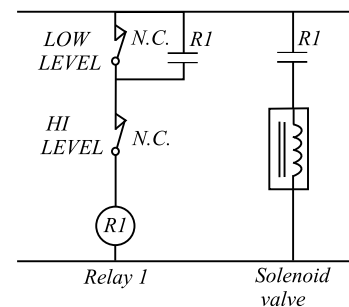
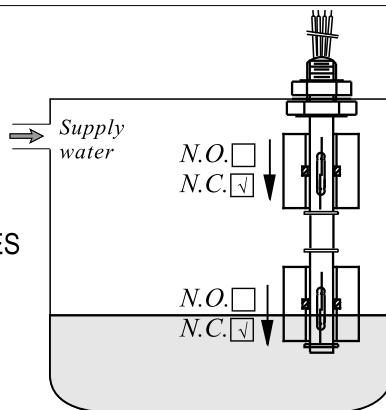
\* AUTO SUPPLY CASE:  
SINGLE FLOAT DUAL SWITCHES



\* AUTO DRAIN CASE:  
SINGLE FLOAT DUAL SWITCHES



\* AUTO SUPPLY CASE:  
DUAL FLOATS DUAL SWITCHES



\* AUTO DRAIN CASE:  
DUAL FLOATS DUAL SWITCHES

