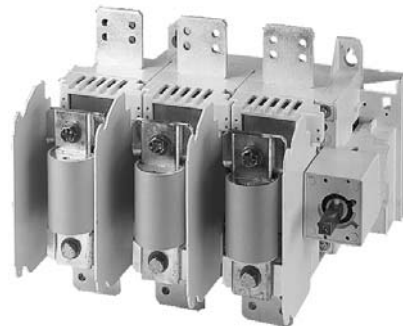


Contents

<i>Description</i>	<i>Page</i>	<i>Description</i>	<i>Page</i>
Safety Switches			
Product Description	8-2	Mill-Duty Rated	8-47
Options and Accessories . .	8-5	Heavy-Duty — Fusible for Cube Fuses	8-48
Flex-Center Facility and Modifications	8-8	Auxiliary Power Heavy-Duty Safety Switch	8-49
Product Specifications	8-12	Left-Handed Safety Switch	8-51
Technical Data and Specifications	8-13	200% Neutral Safety Switches	8-51
Product Selection	8-18	Elevator Control Switch . . .	8-52
General-Duty — Fusible . . .	8-20	Cross-Reference	8-53
General-Duty — Non-Fusible	8-21	Enclosed Circuit Breakers	
Typical Fuse Dimensions . .	8-22	Product Description	8-59
Heavy-Duty — Fusible	8-24	Application Description . . .	8-59
Heavy-Duty — Non-Fusible	8-28	Selection Guide	8-61
Heavy-Duty Double Throw	8-30	Options and Accessories . .	8-62
General-Duty Double Throw	8-32	Service Locations	8-64
Six-Pole Motor Circuit	8-33	Technical Data and Specifications	8-65
Enclosed Rotary	8-34	Product Selection	8-68
EnviroLine (Stainless Steel, Window, Receptacle, Non-Metallic)	8-35	Cross-Reference	8-72
NEMA 7/9	8-43	Rotary Disconnect	
Individual Cable Connector Receptacle Switches	8-44	Type DS, Fusible and Non-fusible	8-90
316 Grade Stainless Steel	8-45	Type Visi-Flex DE-ION	8-92
		Flange Mounted Variable Depth	8-95
		Flange Mounted Fixed Depth	8-97



DH362NRK Safety Switch



Rotary Disconnect F-Frame Fusible

Product Description

Product Description

- Used to open or close a circuit.
- Non-fusible safety switches provide a means to manually connect or disconnect the load from the source.
- Fusible safety switches provide a means to manually open and close a circuit and overcurrent protection by means of installed fuses.
- Also commonly referred to as a disconnect switch or disconnect.
- Available from 30 – 1200 amperes.

Application Description

8

General Duty



*Plug Fuse
General-Duty
Safety Switch*



*Cartridge Fuse
General-Duty
Safety Switch*

For residential and commercial applications. Suitable for light-duty motor circuits and service entrance.

- 30 – 600 amperes.
- Suitable for service entrance applications unless otherwise noted.
- Fusible and non-fusible switches are 100% load break and 100% load make rated.
- The continuous load current of fusible switches is not to exceed 80% of the rating of fuses employed in other than motor circuits. Non-fusible switches are 100% fully rated.
- 200 – 600 amperes features K-series design.
- Horsepower rated.
- Fusible and non-fusible switches. One-pole S/N through 4-wire; 120/240, and 240 Vac.
- Ample wire bending space provides for easier installation.
- With Class R fuses, switches may be used on systems capable of delivering 100,000 amperes rms symmetrical.

Note: Plug fuse switches are not service entrance rated.

Heavy Duty



Heavy-Duty Safety Switches

For heavy commercial and industrial applications where reliable performance and service continuity are critical.

- 30 – 1200 amperes.
- 600 Vac, 600 Vdc maximum.
- Horsepower rated.
- Fusible and non-fusible switches are 100% load break and 100% load make rated.
- The continuous load current of fusible switches is not to exceed 80% of the rating of fuses employed in other than motor circuits. Non-fusible switches are 100% fully rated.
- Suitable for service entrance applications unless otherwise noted.
- Visible double break quick-make, quick-break rotary blade mechanism. Two points of contact provide a positive open and close, easier operation, and also help prevent contact burning for longer contact life.
- Triple padlocking capability. Personnel safety feature since the large hasp can accommodate up to three 3/8-inch (9.5 mm) shank locks. Cabinet door can be further padlocked at the top and bottom.
- Interlocking mechanism. Door cannot be opened when the handle is in the ON position. Built-in defeater mechanism provides for user access when necessary.
- For the toughest heavy commercial and industrial applications, refer to **Page 8-47** for catalog information on our Mill-Duty Safety Switch.
- Deionizing arc chutes. Arc chutes confine and suppress the arcs produced by opening contacts under load.

6-Pole Switches



6-Pole Motor Circuit

A compact safety switch that's ideal for use in heavy industry...when an "in sight" disconnecting means is required for two-speed motors that are remote from their motor control devices.

- 600 Vac, 250 Vdc maximum.
- 30 – 200 amperes.
- Fusible or non-fusible.
- Trunk-type latches keep the cover tightly closed and a neoprene gasket seals out moisture and dust from the switch assembly.
- Visible double break quick-make, quick-break rotary blade mechanism. Two points of contact provide a positive open and close, easier operation, and also help prevent contact burning for longer contact life.
- Clear line shield protection.
- Built-in fuse pullers.
- Clearly visible handle.
- Triple padlocking capability. Cabinet door can be further padlocked at the top and bottom.
- Deionizing arc chutes. Arc chutes confine and suppress the arcs produced by opening contacts under load.

Double Throw Switches



Heavy-Duty Double Throw

Used to transfer service from a normal power source to an alternate source...or to switch from one load circuit to another.

- 30 – 800 ampere switches are horsepower rated.
- 600 Vac, 250 Vdc maximum.
- Fusible or non-fusible.
- Fusible and non-fusible switches are 100% load break and 100% load make rated.
- Suitable for service entrance applications unless otherwise noted.
- The continuous load current of fusible switches is not to exceed 80% of the rating of fuses employed in other than motor circuits. Non-fusible switches are 100% fully rated.
- Approved for service entrance with neutral or ground lug kit installed.
- Wiring configuration from factory allows a single load to be supplied by a normal or alternate source. Can be field modified to allow two loads to be alternately supplied by a single power source.
- Non-fusible double throw switch can be used to feed a single throw fusible switch, the normal method to provide manual transfer from one power source to another in 800 ampere and larger switches.
- Ample wire bending space provides for easier installation.
- Visible double break quick-make, quick-break rotary blade mechanism. Two points of contact provide a positive open and close, easier operation, and also help prevent contact burning for longer contact life.
- Triple padlocking capability. Personnel safety feature since the large hasp can accommodate up to three 3/8-inch (9.5 mm) shank locks.
- Clearly visible handle. The position (ON or OFF) can be clearly seen from a distance.

- Deionizing arc chutes. Arc chutes confine and suppress the arcs produced by opening contacts under load.
- Additional locking capability. Cabinet door can be further padlocked at the top and bottom.
- Clear line shield (provided on fusible double throw) protects against accidental contact with energized parts. Probe holes enable the user to test if the line side is energized without removing the shield.
- Tangential knockouts on sides, top and bottom. Enables any size of conduit to be mounted close to the wall, providing for cable installation closer to the wall and a neat appearance.
- UL® listed switching neutral capability is available on 3-pole and 4-pole non-fusible double throw switches with the installation of the proper bonding kit shown on **Page 8-5**.

Rotary Switches



Enclosed Rotary

Provide users with the ability to lock directly wired motor loads in the OFF position to comply with new OSHA lockout/tagout regulations. Also for machine applications that require compact, economical disconnect switches.

- Meets NEC® Article 430 requirements for a separate disconnect means within sight of all motor loads.
- Padlockable in the OFF position (up to three padlocks) to meet OSHA lockout requirements.
- Available in 16 – 125 ampere ratings.
- 600 Vac, 3- and 4-pole non-fusible device.
- Rated for making and breaking loads.
- Accepts auxiliary contacts. Capability to signal PLC controllers.
- Ground lug connection provided.

EnviroLine



EnviroLine

Eaton offers a line of Cutler-Hammer® safety switches designed for your special application and/or extreme environmental conditions.

- **EnviroLine Stainless Steel Switch** — Primarily for use in the meat packing and food processing industries or any application where water is frequently used to hose down equipment. In addition to the stainless steel NEMA® 4X enclosure, the interior mechanism, backpan, and springs are stainless steel. Ratings for these heavy-duty switches are 30 – 400 amperes, 240 – 600 Vac, available as fusible and non-fusible switches.
- **Window Switches** — The new enlarged window on 30 – 100 ampere ratings allows visual blade position verification and blown fuse indication without opening the door. Higher ampere ratings continue to use the Upper and Lower window design. The Upper window switch provides visual verification of ON/OFF status (blade position), while the Lower window design shows fuse status on fuses with blown fuse indicators. Overall ratings are 30 – 800 amperes, 240 – 600 Vac, fusible and non-fusible. Available in NEMA 12/3R, 4X stainless steel enclosures.

Product Description

- **Receptacle Switches** — These heavy-duty switches are pre-wired and interlocked to polarized receptacles for 3-phase, 3-wire, grounded type power plugs. These are used for portable power applications such as welders, infrared ovens, batch feeders, conveyors, truck and marine docks. Receptacles are interlocked to handle mechanisms so that power plugs may not be inserted or removed when the switch is in the ON position unless noted otherwise. Ratings are 30 – 100 amperes, 600 Vac, NEMA 12/3R, 4X stainless steel enclosures.
- **Non-Metallic Switch** — This switch has a Halyester or KRYDON™ enclosure. These are compression molded fiberglass reinforced polyester enclosure, which is capable of withstanding almost any corrosive environment. Ratings are 30 – 200 amperes, 240 – 600 Vac, fusible and non-fusible. Enclosure is NEMA 4X rated.
- **NEMA 7/9 Hazardous Location Disconnect Switch** — See [Page 8-43](#) for information.

Features, Benefits and Functions

General-Duty (Cartridge Fuse)

- Visible double break quick-make, quick-break rotary blade mechanism.
- Side opening door on all enclosures.
- Mechanically interlocked cover to prevent easy access when the switch is in the ON position.
- With Class R fuses, switches may be used on systems capable of delivering 100,000 amperes rms symmetrical.
- Clearly visible and accessible neutral where applicable.
- Visible ON/OFF indication.
- Tangential knockouts on 30 – 60 ampere designs.
- Ample wiring space.
- Double padlocking capability on 30 – 100 amperes.
- Triple padlocking capability on 200 – 600 amperes.
- Additional door locking capability.
- Bilingual English/Spanish door label on 30 – 100 amperes.
- Tri-lingual nameplates.

Heavy-Duty

- Visible double break quick-make, quick-break rotary blade mechanism.
- Mechanically interlocked cover to prevent easy access when the switch is in the ON position.
- Clear line shield with probe holes.
- Clearly visible palm fitting red handle.
- Triple padlocking capability.
- Deionizing arc chutes to confine and suppress the arcs produced by opening contacts under load.
- Tangential knockouts on NEMA 1 and NEMA 3R enclosures through 200 amperes.
- Built-in fuse pullers on NEMA 4X and NEMA 12 enclosures through 200 amperes.
- Additional door locking capability.
- Complete accessory and renewal parts data shown on inner door label.
- 30 – 800 ampere NEMA 12 designs convertible to NEMA 3R by opening factory installed drain hole.
- 30 – 800 ampere switches are seismic qualified and exceed the requirements of the Uniform Building Code® (UBC) and California Code Title 24.
- Tri-lingual nameplates.

Standards and Certifications

- UL 98.
- UL 50.
- NEMA KS-1.

Elevator Control Switch



Elevator Control Switch

Features, Benefits and Functions

Standard Features

- 30 – 200 ampere 600 Vac 3-phase fused power switch.
- 200,000 ampere rms short-circuit current rating.
- Shunt trip 120 volts.
- Control power terminal block.
- Ground lug per NEC.
- Class J Fuse mounting only (Class J Fuses not included).
- Key to Test switch 120 volts.
- Mechanically interlocked auxiliary contact for hydraulic elevators with automatic recall (5 A, 120 Vac rated) 1NO, 1NC.

Optional Features

- Control power transformer with fuses and blocks.
- Fire safety interface relay.
- Pilot light — ON.
- Isolated neutral lug (oversized 200% rated neutral option available where required by excessive non-linear loads).
- Fire Alarm Voltage Monitoring Relay (to monitor Shunt Trip voltage).
- NEMA 3R, 4 and 12 enclosures available through 200 amperes.
- Phase failure and undervoltage relay available, consult factory.
- For added protection, use Eaton fuse covers to improve maintenance personnel protection, through 200 amperes (OSHA 1910.333, Paragraph C).

Standards and Certifications

- UL 98 Enclosed and Deadfront Switch Guide 96NK3917, File No. E182262.
- NEMA 1, UL 50, listed enclosure.
- cUL® per Canadian Standards C22.2, No. 0-M91-CAN/CSAT C22.2, No. 4-M89 Enclosed Switch.

Options and Accessories

Table 8-1. Safety Switches — Accessories

Description	Catalog Number	Price U.S. \$
Neutral Kits/Ground Kits 30 A DG 60 – 100 A DG 200 A DG, DH (NEMA 1, 3R Enclosures) 30 – 60 A DH 100 A DH 200 A DH (NEMA 4X, 12 Enclosures) 400 A DG, DH 600 A DG, DH 400 – 600 A Fusible DT, 800 – 1200 A DH 30 – 100 A DT 200 A DT 400 A Non-Fusible DT 600 A Non-Fusible DT	DG030NB DG100NB DG200NK DH030NK DH100NK DH200NK DS400NK DS600NK DS800NK DT100NK DT200NK DT400NK DT600NK	
Ground Lug Kits 30 – 100 A DG 30 – 100 A DH, DT ① 200 A DG, DH, DT 400 – 600 A DG, 400 – 1200 A DH, 400 – 800 A DT	DG030GB DS100GK DS200GK DS468GK	
Switching Neutral Bonding Kits ④ 30 – 100 A DT, 3P, 4P Non-Fusible 200 A DT, 3P, 4P Non-Fusible 400 A DT, 3P, 4P Non-Fusible 600 A DT, 3P, 4P Non-Fusible 800 A DT, 3P, 4P Non-Fusible	DT100BK DT200BK DT400BK DT600BK DT800BK	
Control Pole Kit (for 2P, 3P Switches) 400 – 600 A DG, 30 – 1200 A DH, 30 – 800 A DT	DS16CP	
Auxiliary Contact Kits All Switches (except 30 – 100 A DG) 1NO/1NC All Switches (except 30 – 100 A DG) 2NO/2NC NEMA 7/9 Switches (30 – 100 A) 1NO/1NC NEMA 7/9 Switches (30 – 100 A) 2NO/2NC NEMA 7/9 Switches (200 A) 1NO/1NC NEMA 7/9 Switches (200 A) 2NO/2NC	DS200EK1 DS200EK2 178C265G05 178C265G06 178C619G01 178C619G02	
Copper Lug Kits 30 A DH, DT ② 60 A DH, DT ② 100 A DH, DT ② 200 A DH ② 400 A DH (NEMA 4, 4X, 12 Enclosures) ③ 600 – 800 A DH (NEMA 4, 4X, 12 Enclosures) ③	DS16CL DS16CL DS36CL DS46CL DS56CL DS66CL	
Crimp Lug Pad Kit (NEMA 4, 4X, 12 Enclosures) 400 – 600 A DH ② 800 A DH ③ 400 – 800 A Neutral DH ④	DS56CK DS76CK DS800CNK	
Fuse Puller Kits 30 – 60 A DH ② 30 – 60 A DH ⑤ 100 A DH ② 200 A DH ②	DS30FP DS60FP DS100FP DS200FP	
"J" Fuse Adapter Kits 60 A 240 Volt DH ② 60 A DT and Receptacle Switches ② 400 A 600 Volt DT ⑥ 600 A 240 – 600 Volt DH, 600 A DG ③	DS22JK DS26JK DT400JK DS600JK	

- ① Ground bar kit is not listed on device publications.
- ② Order one kit for 3 poles.
- ③ Order one kit for each pole.
- ④ Order one kit per switch.
- ⑤ Receptacle switches.
- ⑥ Order one kit for 6 poles.

Note: Accessories are not applicable to NEMA 7/9 switches unless indicated otherwise.



DH030NK



DS200GK



DT100BK



DS16CP



DS200EK1



DS36CL



DS56CK



DS60FP



DS22JK

Note: A factory installed ground lug is supplied on all NEMA 4, 4X and 12 safety switches, as well as all 400 ampere and higher NEMA 1 and 3R safety switches. A factory installed ground lug is also supplied on all Heavy-Duty NEMA 1 and 3R 30 – 200 ampere switches that do NOT have a factory installed neutral.

Discount Symbol 22CD

Accessories

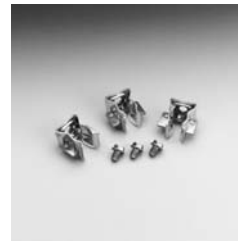
Table 8-1. Safety Switches — Accessories (Continued)

Description	Catalog Number	Price U.S. \$
"R" Fuse Adapter Kits ① 30 A DG 100 A DG 30 A 240 Volt DH, DT 30 A 600 Volt DH, DT, 60 A 240 Volt DH, DT, 60 A DG 60 A 600 Volt DH, DT 100 A 240 – 600 Volt DH, DT 200 A 240 – 600 Volt DH, DT, 200 A DG 400 A 240 – 600 Volt DH, 240 Volt DT, 400 A DG 600 A 240 – 600 Volt DH, 600 A DG	DG030RB DG100RB DS12FK DS16FK DS26FK DS36FK DS46FK DS56FK DS66FK	
"T" Fuse Adapter Kits 200 A 240 Volt DH ① 200 A 600 Volt DH ① 400 A 240 Volt DG, DH ② 400 A 600 Volt DH ② 600 A 240 Volt DG, DH ② 600 A 600 Volt DH ② 800 A 240 Volt DH ② 800 A 600 Volt DH ②	DS426TK DS466TK DS526TK DS566TK DS626TK DS666TK DS726TK DS766TK	
Hookstick Handle	DH800HSH	
Lubricating Grease for Safety Switch Blades and Contacts (Each kit contains three 30 cc tubes of lubricating grease.)	DSLUBEKIT	

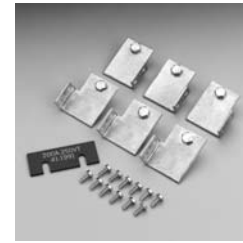
① Order one kit for 3 poles.

② Order one kit for each pole.

Note: Accessories are not applicable to NEMA 7/9 switches.



DS12FK



DS426TK

Accessories, Hubs, Lug Data

Table 8-2. Plate Type Hubs

For NEMA 3R Enclosures (Up to 200 Amperes)

Group 1 General-Duty, Heavy-Duty, Double Throw Through 100 A				Group 2 General-Duty, Heavy-Duty, Double Throw — 200 A			
Conduit Size		Catalog Number	Price U.S. \$	Conduit Size		Catalog Number	Price U.S. \$
Inches	mm			Inches	mm		
.75	19.1	DS075H1		2.00	50.8	DS200H2	
1.00	25.4	DS100H1		2.50	63.5	DS250H2	
1.25	31.8	DS125H1		3.00	76.2	DS300H2	
1.50	38.1	DS150H1		—	—	—	
2.00	50.8	DS200H1		—	—	—	

Catalog Number **DS900AP** Adapter Kit (Price U.S. \$ = 14.10) — Permits Installation of Group 1 Hubs on 200 Ampere Type General-Duty, Heavy-Duty and Double Throw Switches

Table 8-3. Myers Type Hubs

NEMA 3R (400 Amperes and Above)
NEMA 4, 4X (Stainless Steel), 12

Conduit Size		Catalog Number	Price U.S. \$
Inches	mm		
.50	12.7	DS050MH	
.75	19.1	DS075MH	
1.00	25.4	DS100MH	
1.25	31.8	DS125MH	
1.50	38.1	DS150MH	
2.00	50.8	DS200MH	
2.50	63.5	DS250MH	
3.00	76.2	DS300MH	
3.50	88.9	DS350MH	
4.00	101.6	DS400MH	
5.00	127.0	DS500MH	

Note: Contact the Flex Center at 1-888-329-9272 for information on hubs for non-metallic NEMA 4X switches.



DS050MH



DS075H1

Table 8-4. Standard Lug Capacities

Description	Minimum Wire Size	Maximum Wire Size	Wire Type
30 A DP	#14 #12	#10 #10	Cu OR Al
30 A DG 30 A DH, DT	#14 #14	#6 #2	Cu/Al Cu/Al
60 A DG 60 A DH, DT	#14 #14	#1/0 #2	Cu/Al Cu/Al
100 A DG ① 100 A DH, DT	#14 #14	#1/0 #1/0	Cu/Al Cu/Al
200 A DG, DT 200 A DH Type 1 and 3R 200 A DH Type 4 and 12	#6 #6 #6	250 kcmil 250 kcmil 300 kcmil	Cu/Al Cu/Al Cu/Al
400 A DG, DH, DT	(2) #1/0 (1) #1/0	(2) 300 kcmil (1) 750 kcmil	Cu/Al OR Cu/Al
600 A DG, DH, Fusible DT	(1) #2 (1) #1/0	(1) 600 kcmil (1) 750 kcmil	Cu/Al AND Cu/Al
600 A Non-Fusible DT	(2) #250	(2) 500 kcmil	Cu/Al
800 A DH 800 A DT	(4) #1/0 (3) #250	(4) 750 kcmil (3) 500 kcmil	Cu/Al Cu/Al
1200 A DH	(4) #1/0	(4) 750 kcmil	Cu/Al

Copper-Bodied Lugs

30 A Cu	#14	#6	Cu
60 A Cu	#14	#4	Cu
100 A Cu	#6	#1/0	Cu
200 A Cu	#6	250 kcmil	Cu
400 A Cu	#1/0	500 kcmil	Cu
600 A Cu	(2) #1/0	(2) 500 kcmil	Cu

① The maximum size aluminum or copper-clad aluminum wire allowable for applications where the conductor enters or leaves the enclosure through the wall opposite its terminal is #1 gauge.

Note: Although certain lug capacities are larger than required, only minimum wire bending space is provided per the requirements noted in NEC Tables 373-6 (a) and (b) for respective ampere ratings.

Flex Center Facility and Modifications

Flex Center

Introduction

The Safety Switch Flex Center is a special facility at the site of our Cleveland, Tennessee plant that is dedicated to providing customized safety switches that meet customer's challenging applications.

Eaton's Flex Center is a solutions center that provides real value:

- A dedicated and knowledgeable engineering/manufacturing/customer service team to meet your needs.
- A production facility stocked with a full arsenal of equipment to get the job done.
- The industry's shortest lead-time.
- Easy ordering through our distributors.

Description (Suffix)	Item
Nameplates (NP)	1
Fungus Proofing (FP)	2
Special Paint	3
Lock-On Provisions on Heavy-Duty Safety Switches for Most Enclosure Types (LO)	4
Trapped Key Interlock Systems (TK)	5
Upper Cover Viewing Window (W)	6
Lower Cover Viewing Window (LW)	7
Neutral Assemblies Factory Installed for Double Throw Safety Switches (N)	8
Class "R" Fuse Clips Factory Installed for Heavy-Duty Switches (5 or 6)	9
Class "T" Fuse Clips Factory Installed for Heavy-Duty Switches (T)	10
Class "J" Fuse Clips Factory Installed for Heavy-Duty and Double Throw Safety Switches (J)	11
Fuse Pullers Factory Installed (FE)	12
Special Crimp Lug Pads Factory Installed for General-Duty and Heavy-Duty Switches (CK)	13
Copper Lugs Factory Installed (CL)	14

Equipment Ground Lugs Factory Installed (G)	15
Custom Lug Configurations (L)	16
Auxiliary Contacts Factory Installed (2 or 3)	17
Control Pole Factory Installed (CP)	18
Switching Neutral Double Throw (SN)	19
Neutral Assemblies Factory Installed for Single Throw Non-Fusible Safety Switches (N)	20
How to Order	21
How to Price	22

1. Nameplates

Price covers up to three lines of text with a maximum of 25 characters per line. Standard nameplates are laser-engraved plastic and have black letters on a white background. Rotary-engraved phenolic nameplates are also available at a premium. Additional color combinations and larger nameplates are available. Contact the Flex Center for price and availability for these special requirements. Customer must specify the text when placing an order.

Table 8-5. Item 1

Description	Price U.S. \$
Plastic Nameplate — Up to 3 Lines	
Phenolic Nameplate — Up to 3 Lines	

2. Fungus Proofing

All non-metallic components of the switch are coated with a moisture and fungus-resistant varnish. The inhibitor used meets military specification: MIL-V-173C for MOISTURE AND FUNGUS-RESISTANT TREATMENT. The treated switch meets military specification: MIL-T-152E for MOISTURE AND FUNGUS-RESISTANT TREATMENT OF COMMUNICATIONS, ELECTRONICS AND ASSOCIATED EQUIPMENT. Not UL listed.

Table 8-6. Item 2

Safety Switch Ampere Rating	Price U.S. \$ Adder Per Switch
30, 60	
100, 200	
400, 600	
800, 1200	

To order, add **Suffix FP** to standard Safety Switch Catalog Number.
Example: DH363FGKFP.

3. Special Paint

Special paint colors are available for order quantities of five or more switches. Colors available are red, orange, yellow, green, black and white. Custom color is applied over the standard ANSI-61 gray finish.

Minimum quantity of five of the same color is required. Order by description. **See Table 8-7 for adders.**

For quantities less than five, higher ampere ratings, or other color request, contact the Safety Switch Flex Center.

Table 8-7. Item 3

Price U.S. \$ and Adder Per Switch — Special Paint				
Ampere Rating	Quantity			
	5 – 10	11 – 20	21 – 40	Over 40
30				
60				
100				
200				
400				
600				

4. Lock-on Provisions on Heavy-Duty Safety Switches for Most Enclosure Types

Available on 30 – 800 ampere Heavy-Duty and Double Throw Safety Switches. Provision will accept a single lock.

To order, add **Suffix LO** to the standard catalog number.
Example: DH362FRKLO.

Table 8-8. Item 4

Description	Price U.S. \$
Adder Per Lock-on	

5. Trapped Key Interlock Systems

Available only on Heavy-Duty and Double Throw Safety Switches. Trapped Key Systems are used on safety switches to prevent unauthorized operations or to predetermine a series of power transfers by an authorized operator.

Before system construction can begin, the following information must be provided to the Flex Center:

1. User — Name, address and telephone number.
2. Complete coordination (lock scheme) required with order.

To order, add **Suffix TK** to the standard catalog number.
Example: DH363FWKTK.

Discount Symbol **22CD**

Table 8-9. Item 5

Safety Switch Ampere Rating	Switch Type	Price U.S. \$ Adder Per Lock (Maximum of Three Devices Interlocked)
30 – 1200 30 – 800	Heavy-Duty Double Throw	

6. Upper Cover Viewing Window

Upper Viewing Window is Centered over the switching contacts to provide visual verification of ON/OFF status. Available on most Heavy-Duty NEMA 4X Stainless Steel and NEMA 12/3R and Double Throw enclosures. Not available on non-metallic enclosures. To order, **add Suffix W** to the standard catalog number.

Note: 30 – 100 ampere window switches are now provided with a full view cover window for blade verification and blown fuse indication. See **Page 8-37** and **8-38** for more information.

7. Lower Cover Viewing Window

Lower Viewing Window is positioned over fuses and provides visual verification of Blown Fuse Indicators for Littelfuse, Inc.™ fuses. Available in 200 – 600 ampere, 2- and 3-pole Heavy-Duty NEMA 4X Stainless Steel and NEMA 12/3R enclosures. Not available on non-metallic enclosures. To order, **add Suffix LW** to standard catalog number.

Note: 30 – 100 ampere window switches are now provided with a full view cover window for blade verification and blown fuse indication. See **Page 8-37** and **8-38** for more information.

Table 8-10. Items 6 and 7

Viewing Window (Upper or Lower)	
Safety Switch Ampere Rating	Price U.S. \$ Adder Per Switch
30 – 200 400 – 800	

Contact the Safety Switch Flex Center for lead-time.

8. Neutral Assemblies Factory Installed for Double Throw Safety Switches

Table 8-11. Item 8

Safety Switch Ampere Rating	Switch Type 2- and 3-Pole	Price U.S. \$ Adder Per Switch
30	Fusible and Non-Fusible	
60	Fusible and Non-Fusible	
100	Fusible and Non-Fusible	
200	Fusible and Non-Fusible	
400 600	Non-Fusible Non-Fusible	
400 600 800	Fusible Fusible Non-Fusible	

To order, **add Suffix N** on non-fusible switches OR replace 6th character F with N on fusible switches. The total price is the standard switch price plus the price adder from **Table 8-11**.

Example 1: DT361URKN

Non-fusible Double Throw, 3-Pole, 30 ampere Switch with Factory Installed Neutral Assembly = \$280.00 Price U.S. \$ Adder.

Example 2: DT363NRK

Fusible Double Throw, 3-Pole, 100 ampere Switch with Factory Installed Neutral Assembly = \$280.00 Price U.S. \$ Adder.

9. Class "R" Fuse Clips Factory Installed for Heavy-Duty Switches

Table 8-12. Item 9

Safety Switch Ampere Rating	Voltage	Price U.S. \$ Adder Per Pole
30	240 and 600	
60	240 and 600	
100	240 and 600	
200	240 and 600	
400	240 and 600	
600	240 and 600	

To order, **add Suffix 5** to the standard catalog number for 240 volt application. **Add Suffix 6** to standard catalog number for 600 volt application. Total price is the standard catalog number price plus the price adder from the table above depending on the number of safety switch poles.

Example: DH324FRK5

Heavy-Duty, 3-Pole, 200 ampere Switch at 240 volt with Factory Installed Class "R" Fuse Clips = \$240.00 (3 x \$80.00) Price U.S. \$ Adder.

10. Class "T" Fuse Clips Factory Installed for Heavy-Duty Switches

Table 8-13. Item 10

Safety Switch Ampere Rating	Voltage	Factory Installed Price U.S. \$ Adder Per Pole
200	240 600	
400	240 600	
600	240 600	
800	240 600	
1200	240 600	

To order, **add Suffix T** to the standard catalog number (catalog number identifies voltage). Total price is the standard catalog number price plus the price adder from **Table 8-13** depending on the number of safety switch poles.

Example: DH364FGKT

Heavy-Duty, 3-Pole, 200 ampere Fusible Switch at 480 volt with Factory Installed Class "T" Fuse Clips = \$450.00 (3 x \$150.00) Price U.S. \$ Adder.

11. Class "J" Fuse Clips Factory Installed for Heavy-Duty and Double Throw Safety Switches

Table 8-14. Item 11

Safety Switch Ampere Rating	Voltage	Switch Type	Price U.S. \$ Adder Per Switch
30	240 600	Heavy-Duty & Double Throw Heavy-Duty & Double Throw	
60	240 600	Heavy-Duty & Double Throw Heavy-Duty & Double Throw	
100	240 600	Heavy-Duty & Double Throw Heavy-Duty & Double Throw	
200	240 600	Heavy-Duty & Double Throw Heavy-Duty & Double Throw	
400	600	Double Throw	
600	240 600	Heavy-Duty Heavy-Duty	

Total price is the standard catalog number price plus the price adder from the table above depending on the number of safety poles. Order by description. A table of common 30 ampere Heavy-Duty switches with "J" fuse clips factory installed is shown below (**field modification kits are not available for 30 ampere Heavy-Duty Switches**).



Table 8-15. Common 30 Ampere Heavy-Duty Switches with "J" Fuse Clips Factory Installed

Voltage	Switch Type 3-Pole	Catalog Number	Price U.S. \$
240	NEMA 1 NEMA 3R NEMA 12 NEMA 4X	DH321FGKJ DH321FRKJ DH321FDKJ DH321FWKJ	
600	NEMA 1 NEMA 3R NEMA 12 NEMA 4X	DH361FGKJ DH361FRKJ DH361FDKJ DH361FWKJ	

To order, **add Suffix J** to the standard catalog number (catalog number identifies voltage). Total price is the standard catalog number price plus the price adder from **Table 8-14** depending on the number of safety switch poles.

Example: DH363FGKJ Heavy-Duty, 3-Pole, 200 ampere Fusible Switch at 480 volt with Factory Installed Class "J" Fuse Clips = \$125.00 Price U.S. \$ Adder.

12. Fuse Pullers Factory Installed

Table 8-16. Item 12

Safety Switch Ampere Rating	Switch Type	Factory Installed Price U.S. \$ Adder Per Pole
30 – 60 100 200	Heavy-Duty Heavy-Duty General-Duty and Heavy-Duty	

To order, **add Suffix FE** to the standard catalog number. *Example: DH361FRKFE.*

Note: Standard NEMA 12/3R, 4 and 4X switches through 200 amperes are supplied with fuse pullers from the factory.

13. Special Crimp Lug Pads Factory Installed for General-Duty and Heavy-Duty Switches (Crimp Lugs are Not Included)

To order **add Suffix CK** to the standard Safety Switch Catalog Number.

Table 8-17. Item 13

Safety Switch Ampere Rating	Factory Installed Price U.S. \$ Adder Per Pole
400 – 600 800	

Heavy-Duty Type DH Switches, 30 – 200 amperes are adaptable to crimp lugs, simply remove the box lugs.

14. Copper Lugs Factory Installed

Table 8-18. Item 14

Safety Switch Ampere Rating	Switch Type	Factory Installed Price U.S. \$ Adder Per Pole
30	Heavy-Duty Double Throw	
60	Heavy-Duty Double Throw	
100	Heavy-Duty Double Throw	
200	Heavy-Duty	
400	General-Duty and Heavy-Duty	
600	General-Duty and Heavy-Duty	

To order, **add Suffix CL** to the standard Safety Switch Catalog Number. The total price is the standard switch price plus the price adder from the table above.

Example: DH221FGKCL Heavy-Duty, 2-Pole, 30 ampere Fusible Switch at 240 Volts with Copper Lugs Factory Installed = \$80.00 (2 x \$40.00) Price U.S. \$ Adder.

15. Equipment Ground Lugs Factory Installed for General-Duty and Heavy-Duty Switches

Table 8-19. Item 15

Safety Switch Ampere Rating	Factory Installed Price U.S. \$ Adder Per Switch
30 – 100 200 400 – 1200	

To order, **add Suffix G** to the standard Safety Switch Catalog Number. The total price is the standard switch price plus the price adder from the table above.

16. Custom Lug Configurations

Customer-specified lug arrangements are available on Heavy-Duty and Double Throw Safety Switches. Contact the Safety Switch Flex Center for price and lead-time.

17. Auxiliary Contacts Factory Installed Provide Early-Make/Early-Break Operation

Table 8-20. Item 17

General-Duty Switches 200 – 600 A, Non-Metallic 30 – 200 A, Heavy-Duty 30 – 1200 A and Double Throw Switches 30 – 800 A		
Safety Switch Ampere Rating	Description	Factory Installed Price U.S. \$ Adder Per Switch
30 – 200	1NO/1NC 2NO/2NC	
400 – 1200	1NO/1NC 2NO/2NC	

To order 1NO/1NC contacts, **add Suffix 2** to the standard Safety Switch Catalog Number.

To order 2NO/2NC contacts, **add Suffix 3** to the standard Safety Switch Catalog Number.

The total price is the standard switch price plus the price adder from the table above.

Example: DH423FGK2 Heavy-Duty, 4-Pole, 100 ampere Fusible Switch at 240 volts with Factory Installed 1NO/1NC Contacts = \$230.00 Price U.S. \$ Adder.

Example: DT324FGK22 Double Throw, 3-Pole, 200 Ampere Fusible Switch at 240 Volts with two Factory Installed Contacts (one installed in the Normal ON position and one installed in the Auxiliary ON position). = \$460.00 (2 x \$230.00) Price U.S. \$ Adder.

18. Control Pole Factory Installed Provides Late-Make/Early-Break Operation

The K-Series Control Pole provides one Normally Open contact, late-make, early-break operation. It mounts in the exact location as the neutral block using the same pre-drilled holes. This is directly connected to the power pole operating shaft. Direct connection and visible blades provide more secure electrical interlocking than handle linkage operation of a snap/switch type interlock. This reliability meets the requirements of many specifications for 4-pole switches when the fourth pole is required for secure electrical interlocking.

Table 8-21. Item 18

Safety Switch Ampere Rating	Switch Type	Factory Installed Price U.S. \$ Adder Per Switch
30 – 1200 30 – 200 400 – 600	Heavy-Duty Double Throw General-Duty	

To order, **add Suffix CP** to the standard Safety Switch Catalog Number. The total price is the standard switch price plus the price adder from the table above.

Example: DH267FGKCP Heavy-Duty, 2-Pole, 800 Amperes Fusible Switch at 480 Volts with Factory Installed Control Pole = \$300.00 Price U.S. \$ Adder.

Discount Symbol **22CD**

19. Switching Neutral Double Throw

UL listed for 3-pole and 4-pole non-fusible double throw safety switches. Switching neutrals are required for Separately Derived Systems when bonding the neutral of the generator to a grounding system at the generator.

Table 8-22. Item 19

Safety Switch Ampere Rating	Factory Installed Price U.S. \$ Adder Per Switch
30 – 200 400 600 800	

To order, add Suffix **SN** to the standard Safety Switch Catalog Number. The total price is the standard switch price plus the price adder from the table above.

Example: **DT324URKSN** Non-fusible Double Throw, 3-Pole, 200 ampere switch with Factory Installed Switching Neutral = \$80.00 Price U.S. \$ Adder.

20. Neutral Assemblies Factory Installed for Single Throw Non-fusible Safety Switches

Available on 200 – 600 ampere General-Duty Safety Switches and 30 – 1200 ampere Heavy-Duty Safety Switches.

Table 8-23. Item 20

Safety Switch Ampere Rating	Factory Installed Price U.S. \$ Adder Per Switch
30 – 60 100 200 NEMA 4, 4X, 12	
200 NEMA 1, 3R 400 600	
800 1200	

To order, add Suffix **N** to the standard Safety Switch Catalog Number.

Example: **DH364UWKN** Heavy-Duty, 3-Pole, 200 ampere, NEMA 4X = \$171.00 Price U.S. \$ Adder.

21. How to Order

Step One: Contact the Safety Switch Flex Center for price and delivery on product being modified. An authorized negotiation (TSP) number will be provided to track your order.

Safety Switch Flex Center
Phone: **1-888-329-9272**
Fax: **1-423-478-0270**

Step Two: Enter the order on VISTA-LINE™ by description (with catalog number if it applies) and reference the authorized negotiation (TSP) number.

Vista suffix will be "ETS."
Product code will be "BE90."

For order entry assistance, contact CSC at:
Phone: **1-800-356-1243**
Fax: **1-800-752-8602**

22. How to Price

Step One: Select catalog number from **Pages 8-18 through 8-49** of this catalog or Vista of the switch that needs to be modified.

Step Two: Use the correct price (from Vista or the current Price and Availability Digest) of the switch that needs to be modified. If no price exists, Flex Center will provide one.

Step Three: Refer to the modification on **Pages 8-8 through 8-11** for price additions.

Example: **DT363URK = \$2,795.00**
Options: Factory Installed Neutral (N) = **280.00**
Copper Lugs (CL) = **360.00**
(3 x 120.00)

Total Price U.S. \$ = **\$3,435.00**

Step Four: Contact the Safety Switch Flex Center for authorized price and lead-time.

Note: Existing DSP, CSP and DOP pricing does not apply.

For application, availability or pricing questions, contact the Safety Switch Flex Center at **1-888-329-9272**.

Additional Safety Switch Flex Center Design Offerings

- Left-hand design (30 – 200 amperes).
- Cover-mounted status lights and selector switches.
- Integrated:
 - Transient Voltage Surge Suppression (TVSS)
 - Current transformers
- Double throw receptacle switches.
- 200% neutrals.
- Seam-welded stainless steel.
- Gang-operated kits:
 - Mechanically interlocks 2 or 3 separate switches
- Cam-Lok® and Posi-Lok® receptacles.
- Reverse feed.
- Integrated wattmeter.
- Custom enclosures.
- Double throw switches with windows.
- 316 grade stainless steel.
- Breather/drains.
- Voltage/Phase monitor.

Literature

The Safety Switch Flex Center's innovative approach to flexible engineering, manufacturing and customer service provides the shortest production, design and delivery cycle in the industry. Find out more about how the Safety Switch Flex Center can give you the safety switch solution you need...when you need them. Order Sales Aid SA00801002E from Eaton's Literature Fulfillment Center by calling **1-800-957-7050**.

Product Specifications

Table 8-24. Safety Switch Selection Guide

Type	Fuse Type	Fuse Class	Ampere Rating	Number of Poles	Enclosure Types								
					NEMA 1	NEMA 3R	NEMA 12	NEMA 4 Painted Steel	NEMA 4X Stainless Steel	NEMA 4X Non-Metallic	NEMA 7/9		
General-Duty	Single Throw Max. 240 Vac Horsepower Rated	Fusible	Plug	—	30	1 and 2	YES	YES	—	—	—	—	—
		Cartridge	H	—	30 – 600	2 and 3	YES	YES	—	—	—	—	—
	Non-Fusible	—	—	—	30 – 600	2 and 3	YES	YES	—	—	—	—	—
Heavy-Duty	Single Throw Max. 600 Vac Horsepower Rated	Fusible	Cartridge	H L	30 – 600 800 – 1200	2, 3 and 4	YES Up to 1200 A	YES Up to 1200 A	YES ① Up to 1200 A	YES 400 – 800 A	YES Up to 1200 A	YES Up to 200 A	YES ② Up to 200 A
		Non-Fusible	—	—	30 – 1200	2, 3 and 4	YES	YES	YES ① Up to 1200 A	YES 400 – 800 A	YES Up to 1200 A	YES Up to 200 A	YES Up to 200 A
6-Pole Motor Circuit	Single Throw Max. 600 Vac	Fusible	Cartridge	H	30 – 200	6	—	YES	YES ①	—	YES	—	—
		Non-Fusible	—	—	30 – 200	6	—	YES	YES ①	—	YES	—	—
Double Throw	Max. 600 Vac Horsepower Rated	Fusible	Cartridge	H T (600 V) T (240 V)	30 – 200 400 600	2 and 3	YES Up to 600 A	YES Up to 400 A	—	—	—	—	—
		Non-Fusible	—	—	30 – 800	2, 3, 4 and 6	YES	YES	YES Up to 400 A	—	YES Up to 400 A	—	—
Rotary Switches	Max. 600 Vac	Non-Fusible	—	—	16 – 125	3, 4	YES	YES ①	YES ①	—	YES	YES	—

① NEMA Type 12 enclosures (30 – 800 amperes) can be field modified to meet NEMA 3R rainproof requirements when a factory provided drain screw is removed.

② Class J fuse clips provided.

Table 8-25. EnviroLine Safety Switch Selection Guide

EnviroLine	Fuse Type	Fuse Class	Ampere Rating	Number of Poles	Enclosure Types						
					NEMA 1	NEMA 3R	NEMA 12	NEMA 4 Painted Steel	NEMA 4X Stainless Steel	NEMA 4X Non-Metallic	
Stainless Enclosure with Stainless Mechanism	Fusible	Cartridge	H	30 – 400	2 and 3	—	—	—	—	YES	—
	Non-Fusible	—	—	30 – 400	3	—	—	—	—	YES	—
Viewing Window Upper or Lower ③④⑤	Fusible	Cartridge	H L	30 – 600 800	3	—	—	YES ⑥	YES	YES	—
	Non-Fusible	—	—	30 – 800	3	—	—	YES ⑥	YES	YES	—
Receptacle	Fusible	Cartridge	H	30 – 100	3	—	—	YES	—	YES	—
	Non-Fusible	—	—	60	3	—	—	YES	—	YES	—
Non-Metallic	Fusible	Cartridge	H	30 – 200	3	—	—	—	—	—	YES
	Non-Fusible	—	—	30 – 200	3	—	—	—	—	—	YES

③ 800 ampere upper window switches are not UL listed.

④ Lower Window switches are available through 600 amperes.

⑤ 30 – 100 ampere switches provided with full view window.

⑥ NEMA Type 12 enclosures (30 – 800 amperes) can be field modified to meet NEMA 3R rainproof requirements when a factory provided drain screw is removed.

Technical Data and Specifications

Dimensions

Table 8-26. General-Duty, Plug Fuse, 120, 120/240 Volt, 1-, 2-Pole Solid Neutral, Single Throw

Ampere Rating	NEMA 1			
	Dimensions in Inches (mm)			
	Height	Width	Depth	
30	6.88 (174.8)	4.94 (125.5)	3.44 (87.4)	

Table 8-27. General-Duty, Non-Fusible, 240 Volt, 3-Pole, Single Throw

Ampere Rating	NEMA 1					NEMA 3R				
	Dimensions in Inches (mm)				Weight Lbs (kg)	Dimensions in Inches (mm)				Weight Lbs (kg)
	Width (W)	Height (H)	Depth (D)	Depth (D2)		Width (W)	Height (H)	Depth (D)	Depth (D2)	
30	6.38 (162.1)	10.69 (271.5)	6.88 (174.8)	3.75 (95.2)	6 (2.724)	6.38 (162.1)	10.81 (274.6)	6.88 (174.8)	3.75 (95.2)	6 (2.724)
60	8.69 (220.7)	14.19 (360.4)	7.38 (187.5)	4.21 (106.9)	9 (4.086)	8.69 (220.7)	14.38 (365.3)	7.38 (187.5)	4.21 (106.9)	9 (4.086)
100	9.13 (231.9)	18.81 (477.8)	7.38 (187.5)	4.23 (107.4)	12 (5.448)	9.13 (231.9)	19.25 (489.0)	7.38 (187.5)	4.23 (107.4)	12 (5.448)
200	16.00 (406.4)	25.25 (641.4)	11.25 (285.8)	6.14 (156.0)	48 (21.792)	16.00 (406.4)	25.50 (647.7)	11.25 (285.8)	6.14 (156.0)	55 (24.97)
400	23.00 (584.2)	44.75 (1136.7)	12.63 (320.8)	7.27 (184.7)	100 (45.4)	23.00 (584.2)	45.19 (1147.8)	12.63 (320.8)	7.27 (184.7)	105 (47.67)
600	24.00 (609.6)	52.25 (1327.2)	14.25 (362.0)	8.95 (227.3)	130 (59.02)	24.00 (609.6)	52.70 (1338.6)	14.25 (362.0)	8.95 (227.3)	135 (61.29)

Note: Dimensions are for estimating purposes only.

Table 8-28. General-Duty, Fusible, 240 Volt, 3-Pole Solid Neutral, Single Throw

Ampere Rating	NEMA 1					NEMA 3R				
	Dimensions in Inches (mm)				Weight Lbs (kg)	Dimensions in Inches (mm)				Weight Lbs (kg)
	Width (W)	Height (H)	Depth (D)	Depth (D2)		Width (W)	Height (H)	Depth (D)	Depth (D2)	
30	6.38 (162.1)	10.69 (271.5)	6.88 (174.8)	3.75 (95.2)	6 (2.724)	6.38 (162.1)	10.81 (274.6)	6.88 (174.8)	3.75 (95.2)	6 (2.724)
60	8.69 (220.7)	14.19 (360.4)	7.38 (187.5)	4.21 (106.9)	10 (4.54)	8.69 (220.7)	14.38 (365.3)	7.38 (187.5)	4.21 (106.9)	10 (4.54)
100	9.13 (231.9)	18.81 (477.8)	7.38 (187.5)	4.23 (107.4)	14 (6.356)	9.13 (231.9)	19.25 (489.0)	7.38 (187.5)	4.23 (107.4)	14 (6.356)
200	16.00 (406.4)	24.75 (628.7)	11.25 (285.8)	6.14 (156.0)	48 (21.792)	16.00 (406.4)	25.50 (647.7)	11.25 (285.8)	6.14 (156.0)	55 (24.97)
400	23.00 (584.2)	44.75 (1136.7)	12.63 (320.8)	7.27 (184.7)	110 (49.94)	23.00 (584.2)	45.19 (1147.8)	12.63 (320.8)	7.27 (184.7)	115 (52.21)
600	24.00 (609.6)	52.25 (1327.2)	14.25 (362.0)	8.95 (227.3)	145 (65.83)	24.00 (609.6)	52.70 (1338.6)	14.25 (362.0)	8.95 (227.3)	150 (68.1)

Note: Dimensions are for estimating purposes only.

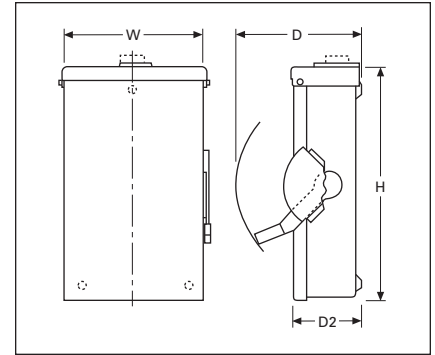


Figure 8-1. NEMA 1-3R 30 – 100 Amperes General-Duty Non-Fusible and Fusible Single Throw

Note: Figure is not applicable to plug fuse.

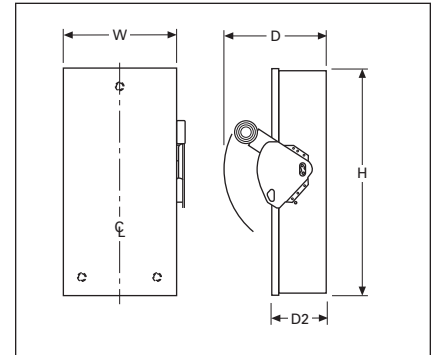


Figure 8-2. NEMA 1-3R 200 – 600 Amperes General-Duty Non-Fusible and Fusible Single Throw

Technical Data and Specifications

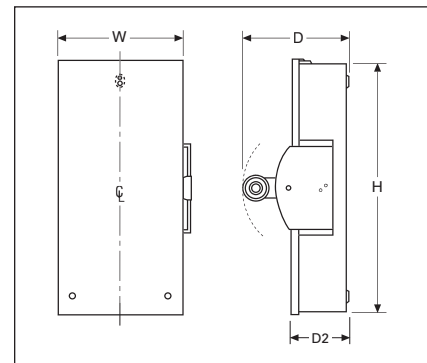
Dimensions

Table 8-29. General-Duty, Non-Fusible, 240 Volt, 2-Pole Solid Neutral, Double Throw, Compact Design

Ampere Rating	NEMA 3R				
	Dimensions in Inches (mm)				Weight Lbs (kg)
	Height (H)	Width (W)	Depth (D)	Depth (D2)	
30	14.69 (373.1)	9.63 (244.6)	10.81 (274.6)	5.23 (132.8)	12 (5.5)
60	14.69 (373.1)	9.63 (244.6)	10.81 (274.6)	5.23 (132.8)	12 (5.5)
100	14.69 (373.1)	9.63 (244.6)	10.81 (274.6)	5.23 (132.8)	12 (5.5)

Table 8-30. General-Duty, Non-Fusible, 240 Volt, 2-Pole Solid Neutral, Double Throw, Quick-Make, Quick-Break Design

Ampere Rating	NEMA 3R				
	Dimensions in Inches (mm)				Weight Lbs (kg)
	Height (H)	Width (W)	Depth (D)	Depth (D2)	
30	24.63 (625.6)	11.94 (303.3)	9.88 (251.0)	5.38 (136.7)	34 (15.4)
60	24.63 (625.6)	11.94 (303.3)	9.88 (251.0)	5.38 (136.7)	34 (15.4)
100	24.63 (625.6)	11.94 (303.3)	9.88 (251.0)	5.38 (136.7)	34 (15.4)
200	37.38 (949.5)	19.56 (496.8)	11.25 (285.8)	6.10 (154.9)	80 (36.3)
400	53.81 (1366.8)	23.13 (587.5)	12.50 (317.6)	8.88 (225.6)	140 (63.6)

Figure 8-3. NEMA 3R 30 – 400 Amperes
General-Duty Non-Fusible Double Throw

Dimensions

Note: Dimensions are for estimating purposes only.

Table 8-31. Heavy-Duty, Non-Fusible, 600 Volt, 3-Pole, Single Throw

Ampere Rating	NEMA 1, 3R					NEMA 12, 4X Stainless Steel, 4				
	Dimensions in Inches (mm)				Weight Lbs (kg)	Dimensions in Inches (mm)				Weight Lbs (kg)
	Width (W)	Height (H)	Depth (D)	Depth (D2)		Width (W)	Height (H)	Depth (D)	Depth (D2)	
30	8.13 (206.5)	15.88 (403.4)	10.00 (254.0)	5.25 (133.3)	16 (7.264)	8.13 (206.5)	12.13 (308.1)	10.00 (254.0)	5.50 (139.7)	17 (7.718)
60	8.13 (206.5)	15.88 (403.4)	10.00 (254.0)	5.25 (133.3)	16 (7.264)	8.13 (206.5)	12.13 (308.1)	10.00 (254.0)	5.50 (139.7)	17 (7.718)
100	11.13 (282.7)	21.69 (550.9)	10.00 (254.0)	5.25 (133.3)	22 (9.988)	11.13 (282.7)	24.00 (609.6)	10.25 (260.4)	5.50 (139.7)	28 (12.712)
200	16.00 (406.4)	27.63 (701.8)	11.25 (285.8)	6.14 (156.0)	46 (20.884)	16.00 (406.4)	34.38 (873.3)	11.50 (292.1)	6.44 (163.6)	55 (24.97)
400	23.00 (584.2)	45.19 (1147.8)	12.63 (320.8)	7.27 (184.7)	110 (49.94)	23.00 (584.2)	57.63 (1463.8)	12.63 (320.8)	7.19 (182.6)	125 (56.75)
600	24.00 (609.6)	52.70 (1338.6)	14.25 (362.0)	8.95 (227.3)	135 (61.29)	24.00 (609.6)	63.00 (1600.2)	14.25 (362.0)	8.88 (225.6)	167 (75.818)
800	25.38 (644.7)	56.69 (1439.9)	14.25 (362.0)	8.95 (227.3)	158 (71.732)	25.38 (644.7)	71.75 (1822.5)	14.25 (362.0)	8.88 (225.6)	175 (79.45)
1200	41.47 (1053.3)	70.31 (1785.9)	19.94 (506.5)	12.44 (316.0)	430 (195.22)	41.47 (1053.3)	70.31 (1785.9)	19.94 (506.5)	13.51 (343.2)	475 (215.65)

Table 8-32. Heavy-Duty, Fusible, 240 Volt and 600 Volt, 3-Pole Solid Neutral, Single Throw

Ampere Rating	NEMA 1, 3R					NEMA 12, 4X Stainless Steel, 4				
	Dimensions in Inches (mm)				Weight Lbs (kg)	Dimensions in Inches (mm)				Weight Lbs (kg)
	Width (W)	Height (H)	Depth (D)	Depth (D2)		Width (W)	Height (H)	Depth (D)	Depth (D2)	
30	8.13 (206.5)	15.88 (403.4)	10.00 (254.0)	5.25 (133.3)	20 (9.08)	8.13 (206.5)	17.88 (454.2)	10.00 (254.0)	5.50 (139.7)	22 (9.988)
60	8.13 (206.5)	15.88 (403.4)	10.00 (254.0)	5.25 (133.3)	20 (9.08)	8.13 (206.5)	17.88 (454.2)	10.00 (254.0)	5.50 (139.7)	22 (9.988)
100	11.13 (282.7)	21.69 (550.9)	10.00 (254.0)	5.25 (133.3)	27 (12.258)	11.13 (282.7)	24.00 (609.6)	10.25 (260.4)	5.50 (139.7)	30 (13.62)
200	16.00 (406.4)	27.63 (701.8)	11.25 (285.8)	6.14 (156.0)	52 (23.608)	16.00 (406.4)	34.38 (873.3)	11.50 (292.1)	6.44 (163.6)	61 (27.694)
400	23.00 (584.2)	45.19 (1147.8)	12.63 (320.8)	7.27 (184.7)	120 (54.48)	23.00 (584.2)	57.63 (1463.8)	12.63 (320.8)	7.19 (182.6)	135 (61.29)
600	24.00 (609.6)	52.70 (1338.6)	14.25 (362.0)	8.95 (227.3)	153 (69.462)	24.00 (609.6)	63.00 (1600.2)	14.25 (362.0)	8.88 (225.6)	203 (92.162)
800	25.38 (644.7)	56.69 (1439.9)	14.25 (362.0)	8.95 (227.3)	168 (76.272)	25.38 (644.7)	71.75 (1822.5)	14.25 (362.0)	8.88 (225.6)	213 (96.702)
1200	41.47 (1053.3)	70.31 (1785.9)	19.94 (506.5)	12.44 (316.0)	465 (211.11)	41.47 (1053.3)	70.31 (1785.9)	19.94 (506.5)	13.51 (343.2)	510 (231.54)

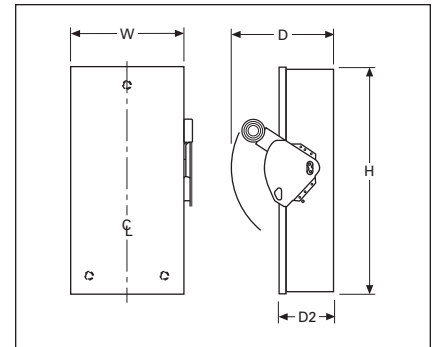


Figure 8-4. NEMA 1-3R Heavy-Duty 30 – 1200 Amperes

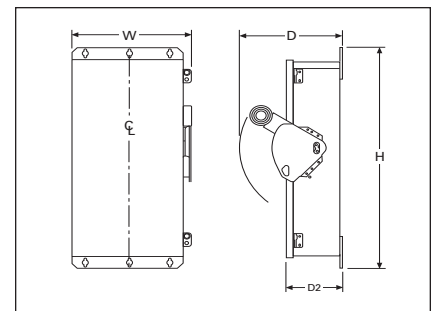


Figure 8-5. NEMA 4, 4X and 12 Heavy-Duty 30 – 1200 Amperes

Technical Data and Specifications

Dimensions

Note: Dimensions are for estimating purposes only.

Table 8-33. Heavy-Duty, Non-Fusible, 240 Volt and 600 Volt, 3-Pole, Double Throw

Ampere Rating	NEMA 1, 3R					NEMA 12, 4X Stainless Steel				
	Dimensions in Inches (mm)				Weight Lbs (kg)	Dimensions in Inches (mm)				Weight Lbs (kg)
	Width (W)	Height (H)	Depth (D)	Depth (D2)		Width (W)	Height (H)	Depth (D)	Depth (D2)	
30	11.94 (303.3)	24.63 (625.6)	9.88 (251.0)	5.38 (136.7)	34 (15.436)	12.00 (304.8)	25.88 (657.4)	10.25 (260.4)	5.50 (139.7)	60 (27.24)
60	11.94 (303.3)	24.63 (625.6)	9.88 (251.0)	5.38 (136.7)	34 (15.436)	12.00 (304.8)	25.88 (657.4)	10.25 (260.4)	5.50 (139.7)	60 (27.24)
100	11.94 (303.3)	24.63 (625.6)	9.88 (251.0)	5.38 (136.7)	34 (15.436)	12.00 (304.8)	25.88 (657.4)	10.25 (260.4)	5.50 (139.7)	60 (27.24)
200	19.56 (496.8)	37.38 (949.5)	11.25 (285.8)	6.10 (154.9)	80 (36.32)	19.50 (495.3)	41.00 (1041.4)	11.63 (295.4)	6.48 (164.6)	105 (47.67)
400	23.13 (587.5)	53.81 (1366.8)	12.50 (317.5)	7.25 (184.2)	140 (63.56)	23.00 (584.2)	57.50 (1460.5)	12.50 (317.5)	7.25 (184.2)	185 (83.99)
600	24.13 (612.9)	63.31 (1608.1)	14.13 (358.9)	8.88 (225.6)	175 (79.45)	—	—	—	—	—
800	24.13 (612.9)	63.31 (1608.1)	14.13 (358.9)	8.88 (225.6)	175 (79.45)	—	—	—	—	—

Table 8-34. Heavy-Duty, Fusible, 240 Volt and 600 Volt, 3-Pole, Double Throw

Ampere Rating	NEMA 1, 3R					NEMA 12, 4X Stainless Steel				
	Dimensions in Inches (mm)				Weight Lbs (kg)	Dimensions in Inches (mm)				Weight Lbs (kg)
	Width (W)	Height (H)	Depth (D)	Depth (D2)		Width (W)	Height (H)	Depth (D)	Depth (D2)	
30	11.94 (303.3)	36.63 (930.4)	9.88 (251.0)	5.38 (136.7)	44 (19.976)	12.00 (304.8)	39.81 (1011.2)	10.25 (260.4)	5.50 (139.7)	45 (20.43)
60	11.94 (303.3)	36.63 (930.4)	9.88 (251.0)	5.38 (136.7)	44 (19.976)	12.00 (304.8)	39.81 (1011.2)	10.25 (260.4)	5.50 (139.7)	45 (20.43)
100	11.94 (303.3)	36.63 (930.4)	9.88 (251.0)	5.38 (136.7)	44 (19.976)	12.00 (304.8)	39.81 (1011.2)	10.25 (260.4)	5.50 (139.7)	45 (20.43)
200	19.56 (496.8)	50.88 (1292.4)	11.25 (285.8)	6.10 (154.9)	95 (43.13)	19.56 (496.8)	55.63 (1413.0)	11.63 (295.4)	6.46 (164.1)	100 (45.4)
400	25.38 (644.7)	74.75 (1898.7)	14.13 (358.9)	8.88 (225.6)	230 (104.42)	25.38 (644.7)	74.75 (1898.7)	14.13 (358.9)	8.92 (226.6)	260 (118.04)
600	27.44 (697.0)	86.13 (2187.7)	14.13 (358.9)	8.88 (225.6)	320 (145.28)	—	—	—	—	—

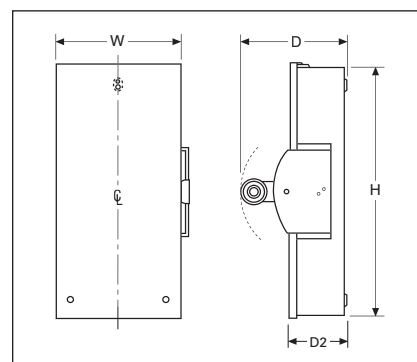


Figure 8-6. NEMA 1-3R Double Throw
30 – 800 Amperes

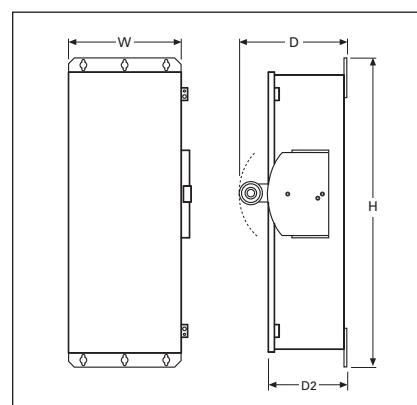


Figure 8-7. NEMA 12-4X Double Throw
30 – 400 Amperes

General-Duty

Table 8-35. Short Circuit Ratings Using Class “R”, “J” or “T” Fusing where Applicable

Ampere Rating	Voltage Ratings	
	Type 1	Type 3R
30	100k at 240	100k at 240
60	100k at 240	100k at 240
100	100k at 240	100k at 240
200	100k at 240	100k at 240
400	100k at 250	100k at 250
600	100k at 250	100k at 250

Note: Class “H” fuse clips supplied as standard for 30 – 600 amperes. Rated at 10,000 rms symmetrical when using Class “H” fuses.

Heavy-Duty

Table 8-36. Short Circuit Ratings Using Class “R”, “J” or “T” Fusing where Applicable

Ampere Rating	Voltage Ratings			
	Type 1	Type 3R	Type 12	Type 4 and 4X
30	200k at 600	200k at 600	200k at 600	200k at 600
60	200k at 600	200k at 600	200k at 600	200k at 600
100	200k at 480 100k at 600	200k at 480 100k at 600	200k at 600	200k at 600
200	200k at 600	200k at 600	200k at 600	200k at 600
400	200k at 480 100k at 600	200k at 480 100k at 600	200k at 480 100k at 600	200k at 480 100k at 600
600	200k at 480 100k at 600	200k at 480 100k at 600	200k at 480 100k at 600	200k at 480 100k at 600
800	200k at 480 100k at 600	200k at 480 100k at 600	200k at 480 100k at 600	200k at 480 100k at 600
1200	200k at 600	200k at 600	200k at 600	200k at 600

Note: Class “H” fuse clips supplied as standard for 30 – 600 amperes. Class “L” fuse clips supplied as standard for 800 – 1200 amperes. Rated at 10,000 rms symmetrical when using Class “H” fuses.

Double Throw

Table 8-37. Short Circuit Ratings Using Class “R”, “J” or “T” Fusing where Applicable

Ampere Rating	Voltage Ratings			
	Type 1	Type 3R	Type 12	Type 4 and 4X
30	100k at 600	100k at 600	100k at 600	100k at 600
60	100k at 600	100k at 600	100k at 600	100k at 600
100	100k at 600	100k at 600	100k at 600	100k at 600
200	100k at 600	100k at 600	100k at 600	100k at 600
400	100k at 600	100k at 600	100k at 600	100k at 600
600	100k at 600	100k at 600	100k at 600	100k at 600
800	100k at 600	100k at 600	—	—

Note: Class “H” fuse clips supplied as standard for 30 – 600 amperes except Class “T” for 400 amperes at 600 volts and 600 amperes at 240 volts. Rated at 10,000 rms symmetrical when using Class “H” fuses.

Note: Table 8-37 is not applicable to the Compact Design shown on Page 8-32. The Compact Design is suitable for use on a circuit capable of delivering not more than 10,000 rms symmetrical amperes.

Note: Class “R” fuse adapter kits are shown on Page 8-6. Individual adapter kits are applicable as shown on Page 8-6 and yield the short circuit ratings per the tables above when Class “R” fuses are installed. When installed, Class “R” fuse adapter kits reject all fuses except Class “R.”

Note: Class “J” fuse provisions can be obtained on most 60 – 400 ampere safety switches by moving the fuse base to a new position as instructed by the device publication label. Class “J” fuse adapter kits, where needed, are shown on Page 8-5 and yield the short circuit ratings per the tables above when Class “J” fuses are installed. Class “J” fuse provisions must be factory installed on 30 ampere heavy-duty switches. Catalog numbers are shown in Table 8-15 on Page 8-10. Class “J” fusing is not applicable on 30 – 200 ampere general-duty switches, 30 – 100 ampere double throw switches, 600 ampere double throw switches, and any switch higher than 600 amperes.

Note: Class “T” fuse adapter kits are shown on Page 8-6. Individual adapter kits are applicable to 200 – 800 ampere switches as shown on Page 8-6 and yield the short circuit ratings per the tables to the left when Class “T” fuses are installed. On 1200 ampere switches, Class “T” fuse provisions can be obtained by moving the fuse base to a new position as instructed by the device publication label.

Non-Fusible Switches

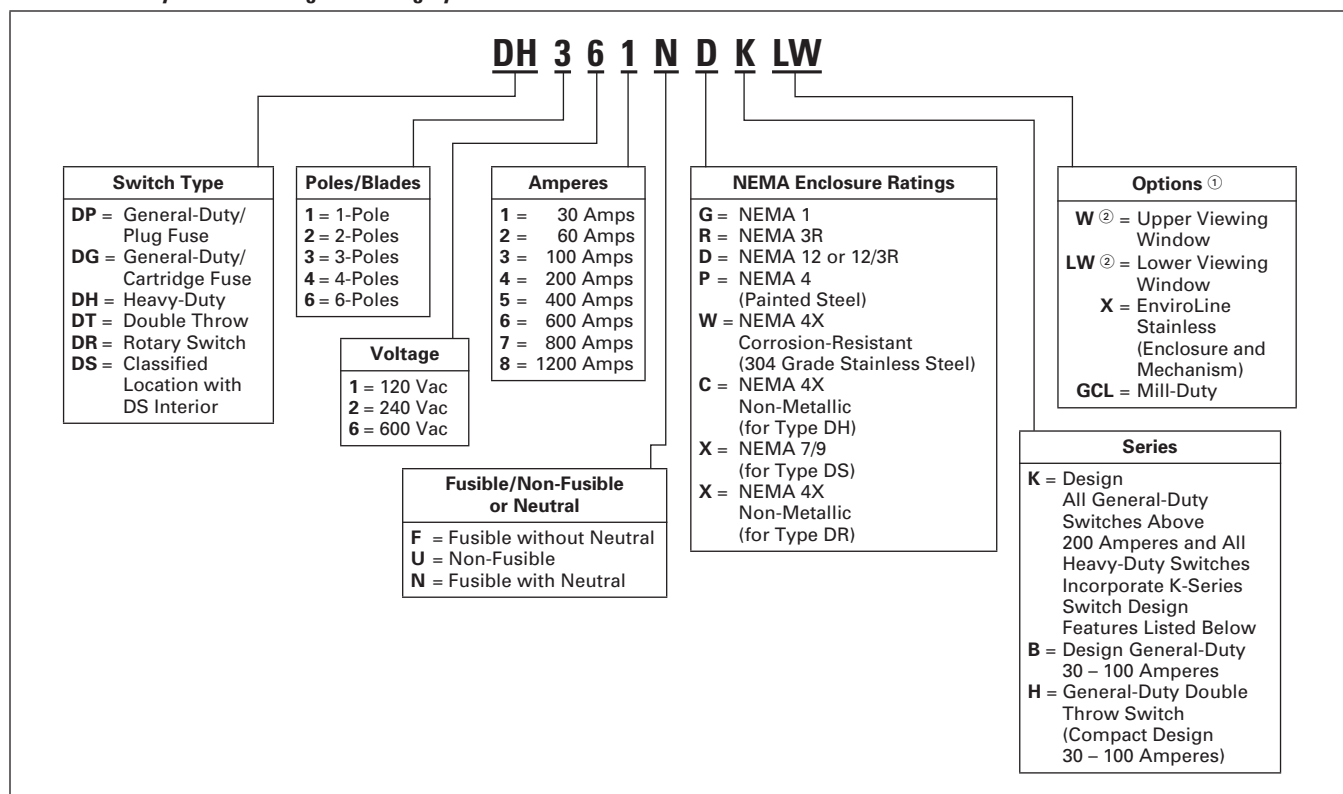
The UL listed short circuit ratings for Cutler-Hammer Non-Fusible switches by Eaton Corporation are based on the switches being properly protected by overcurrent protective devices. For applications that require a UL listed short circuit rating of 10,000 rms symmetrical amperes or less, a Cutler-Hammer Non-Fusible switch must be properly protected by any overcurrent protective device rated no greater than the ampere rating of the switch. For applications that require a UL listed short circuit rating of greater than 10,000 rms symmetrical amperes, a Cutler-Hammer Non-Fusible switch must be properly protected by the appropriate class and size fusing noted on the switch publication (located on the inside cover). Otherwise, this Non-Fusible switch must be replaced with a Cutler-Hammer Fusible switch that utilizes the appropriate fusing required. Molded case circuit breaker protection of Non-Fusible Cutler-Hammer switches for applications that require a short circuit rating of greater than 10,000 rms symmetrical amperes has not been evaluated. Refer to the reference tables for typical Cutler-Hammer fusible switch UL listed short circuit ratings.

Note: Safety switch short circuit ratings are applicable to ac only.

Note: Safety switch I^2t and I_p values are identical to UL maximum acceptable I^2t and I_p values for the corresponding class fuse.

Product Selection

Table 8-38. Safety Switch Catalog Numbering System

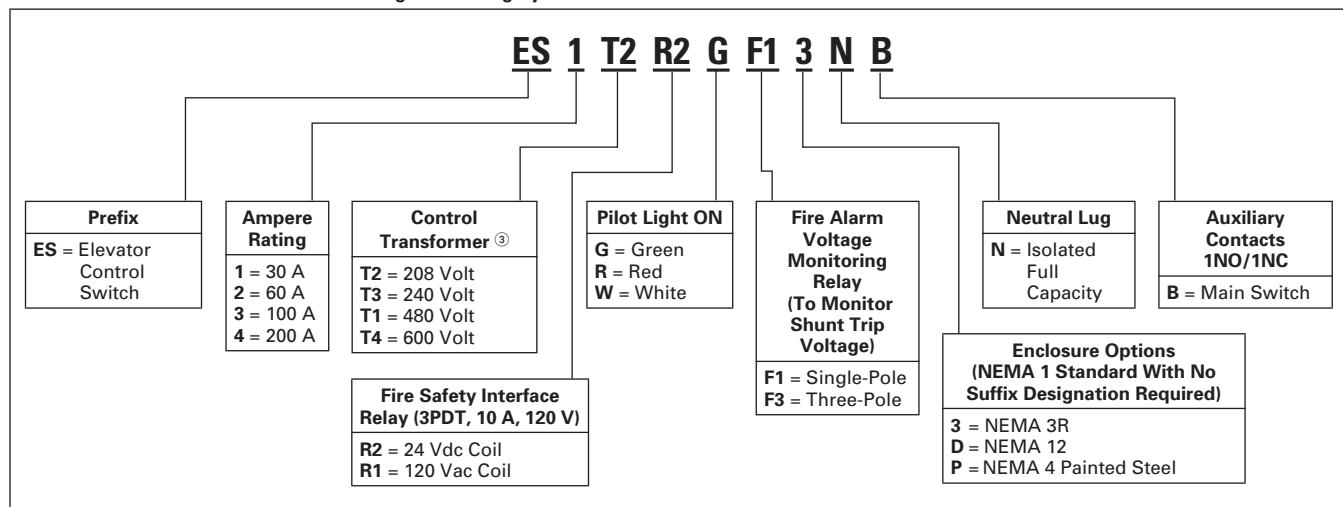


① See Pages 8-8 through 8-11 for additional Flex Center options.

② Effective August 2003, 30 – 100 ampere window switches are replaced by a full view window which allows blade position verification and blown fuse indication. See Page 8-37 for catalog numbers.

Note: This table is intended for use in breaking down existing catalog numbers. It is not intended for building new catalog numbers.

Table 8-39. Elevator Control Switch Catalog Numbering System



③ 100 VA with Primary and Secondary fusing (120 Volt Secondary).

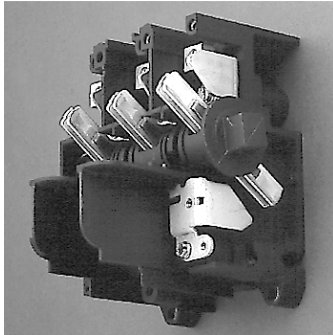
Catalog Number Example: ES3T1R1GF3

- 100 Ampere S.T. Switch 480V-3P — ES3.
- 480 – 120 Volt CPT — T1.

- 120 Vac Coil Fire Safety Interface Relay — R1.
- Pilot Light — ON (Green) — G.

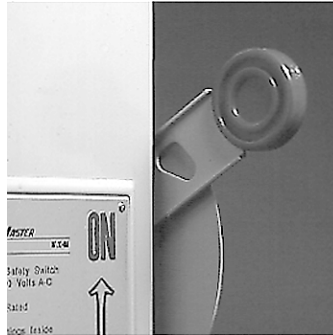
- Fire Alarm Voltage Monitoring Relay (Three-Pole) — F3.

All General-Duty Switches Above 100 Amperes and All Heavy-Duty Switches Incorporate These K-Series Switch Design Features



Visible Double Break Rotary Blade Mechanism

Two points of contact provide a positive open and close, easier operation, and also help prevent contact burning for longer contact life.



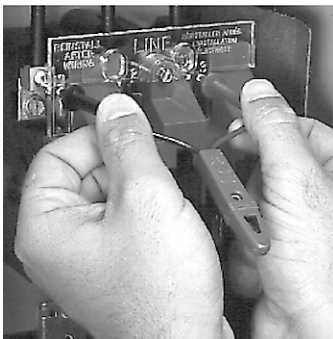
Clearly Visible Handle

The position (ON or OFF) can be clearly seen from a distance and the length provides for easy operation.



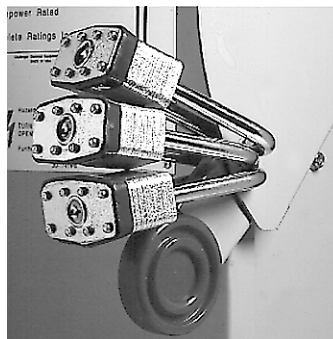
Interlocking Mechanism

Door cannot be opened when the handle is in the ON position. Front and side operable defeater mechanism provides for user access when necessary on single throw switches.



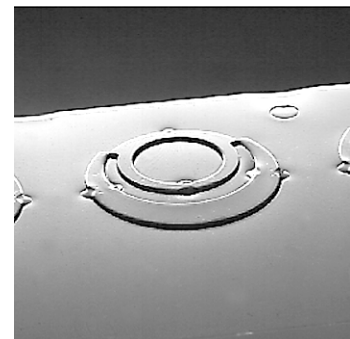
Clear Line Shield

Protects against accidental contact with energized parts. Probe holes enable the user to test if the line side is energized without removing the shield. Not typically provided on general-duty switches, but available as a field kit or factory installed.



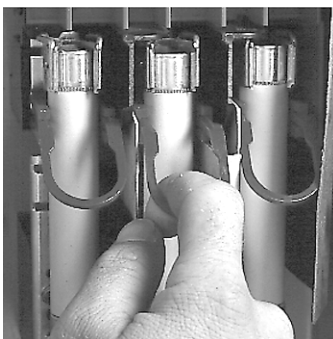
Triple Padlocking Capability

Personnel safety feature since the large hasp can accommodate up to three 3/8-inch (9.5 mm) shank locks.



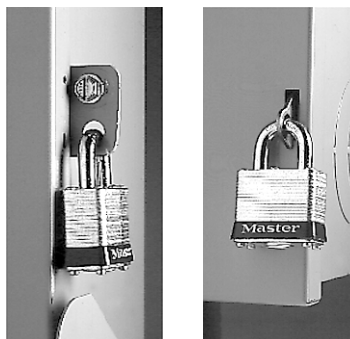
Tangential Knockouts

An ample number are provided on the top, bottom and sides of both NEMA Types 1 and 3R enclosures through 200 amperes.



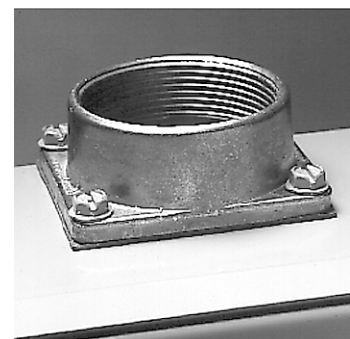
Built-in Fuse Pullers (NEMA 12 and 4X 30 – 200 Amperes Only)

Provide easy removal of fuses.



Additional Locking Capability

Cabinet door can be further padlocked at the top and bottom as applicable.



Bolt-on Hub Kits

For switches in a NEMA Type 3R, 30 – 200 A. Use a Myers type hub for all others

Product Selection

120/240 Vac General-Duty, Fusible, Single Throw

Specifications

- 30 – 600 amperes.
- Suitable for service entrance applications unless otherwise noted.
- Horsepower rated.
- Bolt-on hub provision. Provided for general-duty switches in a NEMA 3R enclosure. See **Page 8-7** for selection.
- UL listed File No. E5239. Meets UL 98 for enclosed switches and NEMA Std. KS-1.
- 200 – 600 ampere switches incorporate K-Series design.



DP221NGB



DG321NRB

Table 8-40. 120/240 Vac General-Duty, Fusible, Single Throw

System	Ampere Rating	Fuse Type Provision	Maximum Horsepower Ratings ^①				NEMA 1 Enclosure Indoor		NEMA 3R Enclosure Rainproof	
			Single-Phase ac		3-Phase ac	dc	Catalog Number	Price U.S. \$	Catalog Number	Price U.S. \$
			120 Volt	240 Volt	240 Volt	250 Volt				

Fusible — Plug Type ^②

2-Wire (One Blade, One Fuse, S/N) — 120 Vac

	30	Plug (Type S, T or W)	1/2 – 2	—	—	—	DP111NGB		—	
--	----	-----------------------	---------	---	---	---	----------	--	---	--

3-Wire (Two Blades, Two Fuses, S/N) — 120/240 Vac

	30	Plug (Type S, T or W)	1/2 – 2	1-1/2 – 3	—	—	DP221NGB		Use cartridge-type fuse catalog number DG221NRB	
--	----	-----------------------	---------	-----------	---	---	----------	--	---	--

Fusible — Cartridge Type

2-Pole 2-Wire (Two Blades, Two Fuses) — 240 Vac

	30	—	—	1-1/2 – 3	3 – 7-1/2	—	③		③	
	60	—	—	3 – 10	7-1/2 – 15	—	③		③	
	100	—	—	7-1/2 – 15	15 – 30	—	③		③	
	200	—	—	15	25 – 60	—	③		③	
	400	H	—	—	50 – 125	—	DG225FGK ^{④⑤}		DG225FRK ^{④⑤}	
	600	H	—	—	75 – 200	—	DG226FGK ^{④⑤}		DG226FRK ^{④⑤}	

3-Wire (Two Blades, Two Fuses, S/N) — 120/240 Vac

	30	H	—	1-1/2 – 3	3 – 7-1/2 ^⑥	—	DG221NGB		DG221NRB	
	60	H	—	3 – 10	7-1/2 – 15 ^⑥	—	DG222NGB		DG222NRB	
	100	H	—	7-1/2 – 15	15 – 30 ^⑥	—	DG223NGB		DG223NRB	
	200	H	—	15	25 – 60 ^⑥	—	DG224NGB		DG224NRB	
	400	H	—	—	50 – 125 ^⑥	50	DG225NGK		DG225NRK	
	600	H	—	—	75 – 200 ^⑥	—	DG226NGK		DG226NRK	

① Maximum hp ratings apply only when dual element time delay fuses are used.

② These switches do not have an interlock which prevents door from being opened when switch is in the ON position.

③ Use 3-wire catalog numbers below.

④ Solid neutral bars are not included. Order separately from **Table 8-1** on **Page 8-5**.

⑤ **WARNING!** Switch is not approved for service entrance unless a neutral kit is installed.

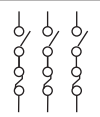
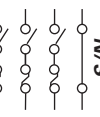
⑥ Grounded B phase rating, UL listed.

Note: All general-duty safety switches are individually packaged.

Note: Accessories are limited in scope on general-duty safety switches. See **Page 8-5** for availability. In addition, clear line shields are available as an accessory on 200 – 600 ampere general-duty switches. Catalog Numbers: 200 A = 70-7759-11, 400 A = 70-8063-8, 600 A = 70-8064-8.

120/240 Vac General-Duty, Fusible, Single Throw

Table 8-41. 120/240 Vac General-Duty, Fusible, Single Throw

System	Ampere Rating	Fuse Type Provision	Maximum Horsepower Ratings ^①				NEMA 1 Enclosure Indoor		NEMA 3R Enclosure Rainproof	
			Single-Phase ac		3-Phase ac	dc	Catalog Number	Price U.S. \$	Catalog Number	Price U.S. \$
			120 Volt	240 Volt	240 Volt	250 Volt				
3-Pole 3-Wire (Three Blades, Three Fuses) — 240 Vac										
	30	—	—	—	—	—	②		②	
	60	—	—	—	—	—	②		②	
	100	—	—	—	—	—	②		②	
	200	—	—	—	—	—	②		②	
	400	H	—	—	50 – 125	—	DG325FGK ③④		DG325FRK ③④	
	600	H	—	—	75 – 200	—	DG326FGK ③④		DG326FRK ③④	
4-Wire (Three Blades, Three Fuses, S/N) — 120/240 Vac										
	30	H	—	1-1/2 – 3	3 – 7-1/2	—	DG321NGB		DG321NRB	
	60	H	—	3 – 10	7-1/2 – 15	—	DG322NGB		DG322NRB	
	100	H	—	7-1/2 – 15	15 – 30	—	DG323NGB		DG323NRB	
	200	H	—	15	25 – 60	—	DG324NGK		DG324NRK	
	400	H	—	—	50 – 125	—	DG325NGK		DG325NRK	
	600	H	—	—	75 – 200	—	DG326NGK		DG326NRK	



- ① Maximum hp ratings apply only when dual element time delay fuses are used.
- ② Use 4-wire catalog numbers below.
- ③ Solid neutral bars are not included. Order separately from Table 8-1 on Page 8-5.
- ④ **WARNING!** Switch is not approved for service entrance unless a neutral kit is installed.

120/240 Vac General-Duty, Non-Fusible, Single Throw



DG322URB

Table 8-42. 120/240 Vac General-Duty, Non-Fusible, Single Throw

System	Ampere Rating	Maximum Horsepower Ratings				NEMA 1 Enclosure Indoor		NEMA 3R Enclosure Rainproof	
		Single-Phase ac		3-Phase ac	dc	Catalog Number	Price U.S. \$	Catalog Number	Price U.S. \$
		120 Volt	240 Volt	240 Volt	250 Volt				
Non-Fusible — 2-Pole 2-Wire (Two Blades) — 240 Vac									
	30	2	3	—	—	DG221UGB ⑤		DG221URB ⑤	
	60	3	10	—	—	DG222UGB ⑤		DG222URB ⑤	
	100	—	15	—	—	DG223UGB ⑤		DG223URB ⑤	
	200	—	—	—	—	⑤⑥		⑤⑥	
3-Pole 3-Wire (Three Blades) — 240 Vac									
	30	2	3	7-1/2	—	DG321UGB ⑤		DG321URB ⑤	
	60	3	10	15	—	DG322UGB ⑤		DG322URB ⑤	
	100	—	15	30	—	DG323UGB ⑤		DG323URB ⑤	
	200	—	15	60	—	DG324UGK ⑤		DG324URK ⑤	
	400	—	—	125	—	DG325UGK ⑦		DG325URK ⑦	
	600	—	—	200	—	DG326UGK ⑦		DG326URK ⑦	

- ⑤ **WARNING!** Switch is not approved for service entrance unless a neutral kit is installed.
- ⑥ Use 3-wire catalog numbers below.
- ⑦ Drilled to accept field installed neutral kits.

Note: All general-duty safety switches are individually packaged.

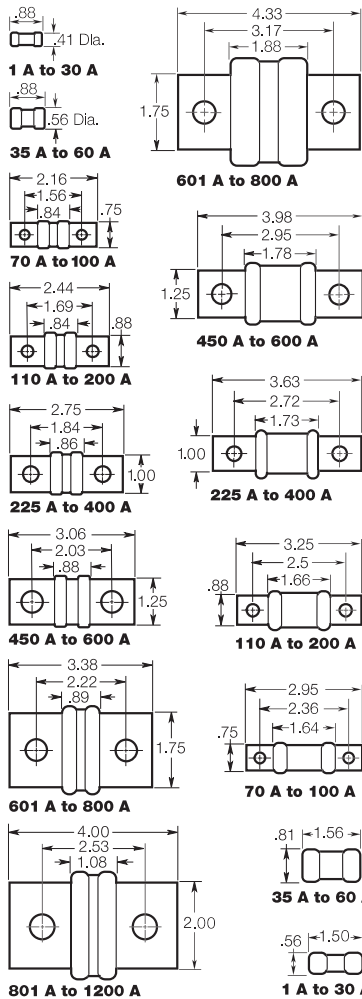
Note: Accessories are limited in scope on general-duty safety switches. See Page 8-5 for availability. In addition, clear line shields are available as an accessory on 200 – 600 ampere general-duty switches. Catalog Numbers: 200 A = 70-7759-11, 400 A = 70-8063-8, 600 A = 70-8064-8.

Typical Fuse Dimensions

Class T

T-Tron™ Fuses

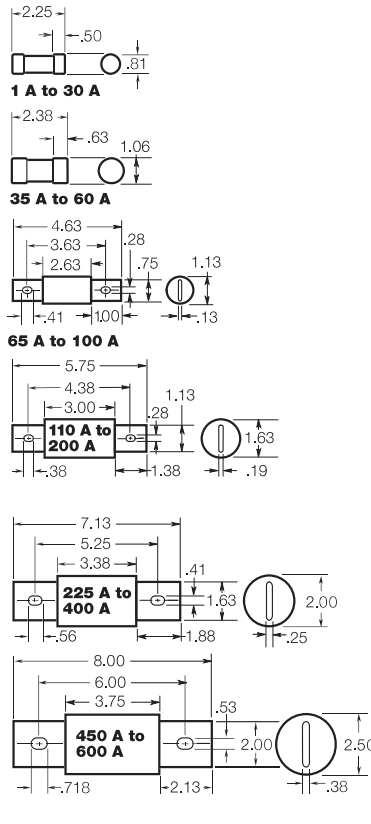
JJN (300 V) JJS (600 V)



Class J

Low-Peak® and Limitron® Fuses

LPJ & JKS (600 V)

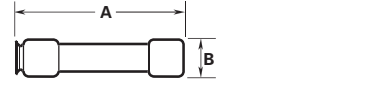


Class RK5 and RK1

Fusetron®, Low-Peak and Limitron Fuses (250 and 600 V)

FRN-R and FRS-R; LPN-RK and LPS-RK; KTN-R and KTS-R
Basic dimensions are same as Class H (formerly NEC) ONE-TIME (NON and NOS) and SUPERLAG Renewable RES and REN fuses.

Note: These fuses can be used to replace existing Class H, RK1 and RK5 fuses relating to dimensional compatibility.



Ampere	250 V		600 V	
	A	B	A	B
1/10 - 30	2.00	.56	5.00	.81
35 - 60	3.00	.81	5.50	1.06



Fusetron and Limitron

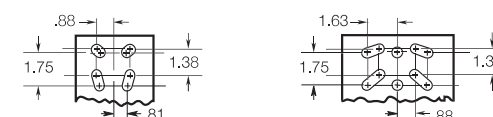
Ampere	250 V		600 V	
	A	B	A	B
70 - 100	5.88	1.06	7.88	1.34
110 - 200	7.13	1.56	9.63	1.84
225 - 400	8.63	2.06	11.63	2.59
450 - 600	10.38	2.59	13.38	3.13

Low-Peak

Ampere	250 V		600 V	
	A	B	A	B
70 - 100	5.88	1.16	7.88	1.16
110 - 200	7.13	1.66	9.63	1.66
225 - 400	8.63	2.38	11.63	2.38
450 - 600	10.38	2.88	13.38	2.88

Class L Low-Peak and Limitron Fuses

KRP-C, KTU & KLU (601 - 4000 A) (600 V)



Note: KRP-CL (150 A to 600 A) fuses have same dimensions as 601 A to 800 A case size. KTU (200 A to 600 A) have same dimensions, except tube 3-inch lgth. x 2-inch dia.; terminal 1.63-inch width x 1.25-inch thick.

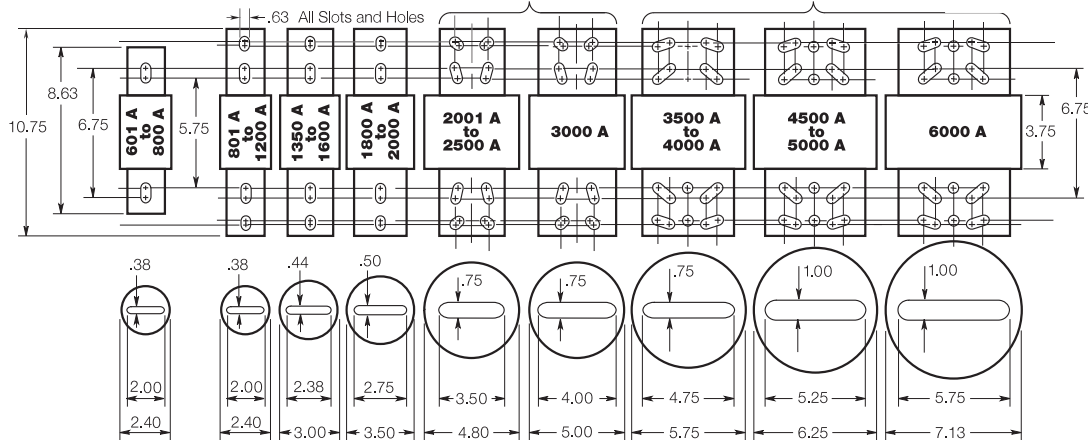
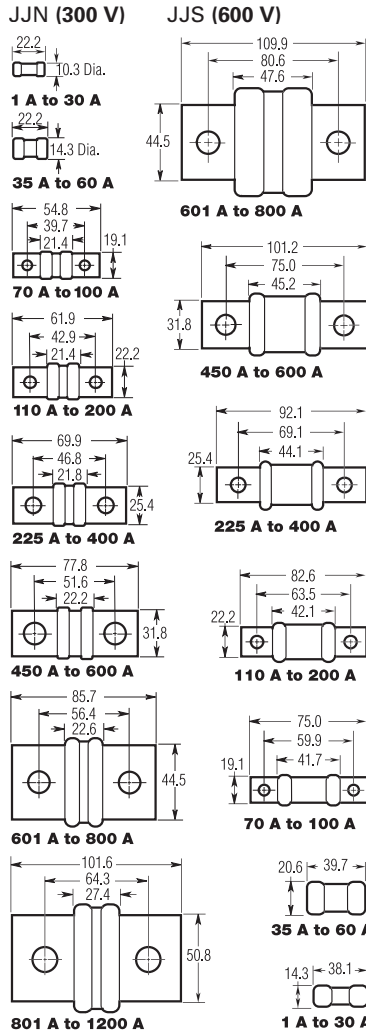


Figure 8-8. Typical Fuse Dimensions in Inches

Note: For typical fuse dimensions in millimeters, see Figure 8-9 on Page 8-23.

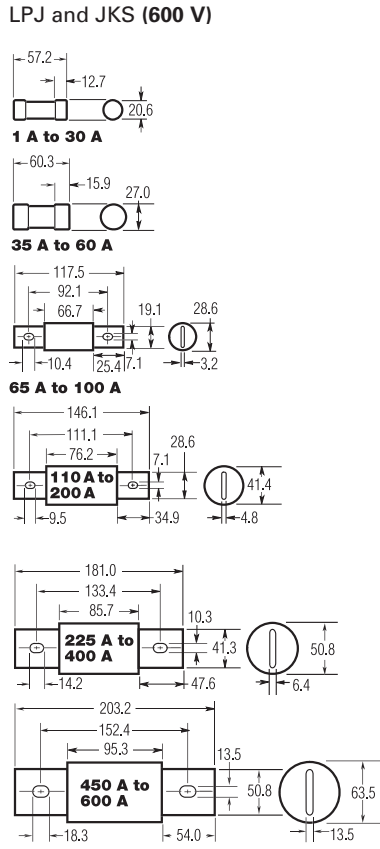
Class T

T-Tron Fuses



Class J

Low-Peak and Limitron Fuses

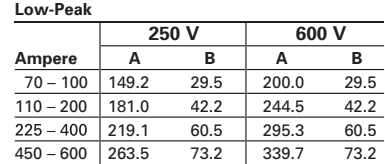
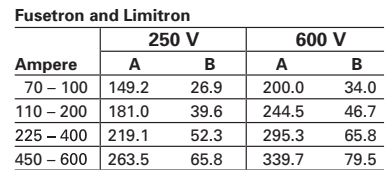
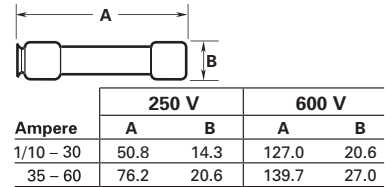


Class RK5 and RK1

Fusetron, Low-Peak and Limitron Fuses (250 and 600 V)

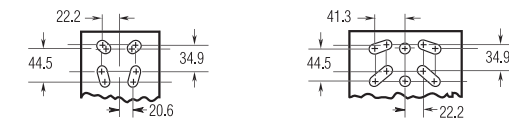
FRN-R and FRS-R; LPN-RK and LPS-RK; KTN-R and KTS-R
Basic dimensions are same as Class H (formerly NEC ONE-TIME (NON and NOS) and SUPERLAG Renewable RES and REN fuses.

Note: These fuses can be used to replace existing Class H, RK1 and RK5 fuses relating to dimensional compatibility.



Class L Low-Peak and Limitron Fuses

KRP-C, KTU and KLU (601 - 4000 A) (600 V)



Note: KRP-CL (150 A to 600 A) fuses have same dimensions as 601 A to 800 A case size. KTU (200 A to 600 A) have same dimensions, except tube 76.2 mm lgth. x 50.8 mm dia.; terminal 41.3 mm width x 31.8 mm thick.

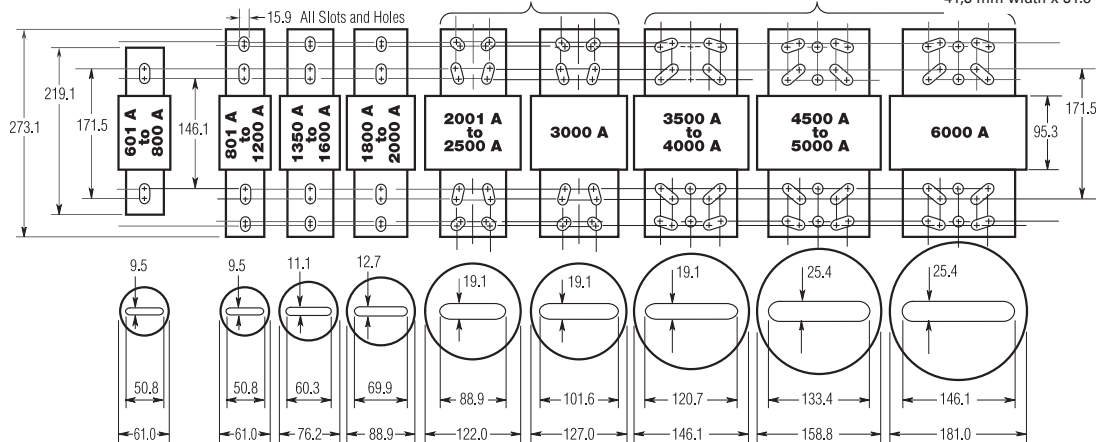


Figure 8-9. Typical Fuse Dimensions in Millimeters

Note: For typical fuse dimensions in inches, see **Figure 8-8** on **Page 8-22**.

Product Selection

240 Vac Heavy-Duty, Fusible, Single Throw

Specifications

- 30 – 1200 amperes.
- Horsepower rated.
- Suitable for service entrance use, except 4-pole switches.
- UL listed File No. E5239.
- For factory modifications, refer to Pages 8-8 through 8-11.



DH221NRK

Table 8-43. Fusible

System	Ampere Rating	Fuse Type Provision	Maximum Horsepower Ratings				dc 250 V	NEMA 1 Enclosure Indoor		NEMA 3R Enclosure Rainproof	
			ac					Catalog Number	Price U.S. \$	Catalog Number	Price U.S. \$
			Standard Fuse	Time Delay	Single-Phase	3-Phase					
2-Pole — 240 Vac, 250 Vdc (Suitable for Service Entrance Use with a Neutral Kit Installed)											
	30 60 100 200 400 600 800	H H — — H H L	1-1/2 — — — — — —	— — — — 50 ① 75 ① 100 ①	— — — — — — —	— — — — 125 ① 200 ① —	5 — — — 50 — — —	DH221FGK ② — ② — ② — —	— — — — — — — —	② ② ② ② — — — —	— — — — DH225FRK DH226FRK — —
3-Wire (Two Blades, Two Fuses, S/N) — 240 Vac, 250 Vdc											
	30 60 100 200 400 600 800	H H H H H H L	1-1/2 3 7-1/2 15 — — —	3 ③ 7-1/2 ③ 15 ③ 25 ③ 50 ③ 75 ③ 100 ③	3 10 15 15 — — —	7-1/2 ③ 15 ③ 30 ③ 60 ③ 125 ③ 200 ③ —	5 10 20 40 50 — — —	DH221NGK DH222NGK DH223NGK DH224NGK DH225NGK DH226NGK DH227NGK	— — — — — — —	— — — — — — —	DH221NRK DH222NRK DH223NRK DH224NRK DH225NRK DH226NRK DH227NRK
3-Pole — 240 Vac, 250 Vdc (Suitable for Service Entrance Use with a Neutral Kit Installed)											
	30 60 100 200 400 600 800 1200	H H H H H H L L	1-1/2 3 7-1/2 15 — — — —	3 7-1/2 15 25 50 75 100 —	3 10 15 15 — — — —	7-1/2 15 30 60 125 200 — —	5 10 20 40 50 — — —	DH321FGK DH322FGK DH323FGK DH324FGK DH325FGK DH326FGK DH327FGK DH328FGK	— — — — — — — —	— — — — — — — —	DH321FRK DH322FRK DH323FRK DH324FRK DH325FRK DH326FRK DH327FRK DH328FRK
4-Wire (Three Blades, Three Fuses, S/N) — 240 Vac, 250 Vdc											
	30 60 100 200 400 600 800 1200	H H H H H H L L	1-1/2 3 7-1/2 15 — — — —	3 7-1/2 15 25 50 75 100 —	3 10 15 15 — — — —	7-1/2 15 30 60 125 200 — —	5 10 20 40 50 — — —	DH321NGK DH322NGK DH323NGK DH324NGK DH325NGK DH326NGK DH327NGK DH328NGK	— — — — — — — —	— — — — — — — —	DH321NRK DH322NRK DH323NRK DH324NRK DH325NRK DH326NRK DH327NRK DH328NRK
4-Pole — 240 Vac, 250 Vdc											
	30 60 100 200 400 600	H H H H H H	3 7-1/2 15 30 50 75	3 7-1/2 15 25 50 75	10 20 30 50 — —	7-1/2 15 30 60 125 200	5 10 20 40 50 —	DH421FGK DH422FGK DH423FGK DH424FGK DH425FGK DH426FGK	— — — — — —	④ ④ ④ ④ ④⑤ ④⑤	— — — — — —

① Horsepower ratings apply only when neutral is field installed and switch is used on a grounded B phase system.
 ② Use 3-pole catalog numbers below.
 ③ Grounded B phase ratings, UL listed.
 ④ NEMA 12 enclosures (30 – 1200 amperes) can be field modified to meet NEMA 3R rainproof requirements when a factory provided drain hole is opened.
 ⑤ Contact the Safety Switch Flex Center (1-888-329-9272) for availability of this product.

Note: 30 ampere heavy-duty switches with Type J fuse provisions are available from the factory only. See Table 8-15 on Page 8-10 for catalog numbers.

Product Selection



DH322FWK

Table 8-43. Fusible (Continued)

Ampere Rating	NEMA 12 Enclosure Industrial, Dust-tight		NEMA 4 Enclosure Watertight, Painted Steel		NEMA 4X Enclosure Corrosion-Resistant, Stainless Steel		NEMA 4X Enclosure Corrosion-Resistant, Non-Metallic	
	Catalog Number	Price U.S. \$	Catalog Number	Price U.S. \$	Catalog Number	Price U.S. \$	Catalog Number	Price U.S. \$
2-Pole — 240 Vac, 250 Vdc (Suitable for Service Entrance Use with a Neutral Kit Installed)								
30	⑥		—		⑥		⑥	
60	⑥		—		⑥ or ⑦		⑥	
100	⑥		—		⑦		⑥	
200	⑥		—		⑦		⑥	
400	DH225FDK ⑧		DH225FPK		⑦		—	
600	DH226FDK ⑧		DH226FPK		⑦		—	
800	DH227FDK ⑧		—		⑦		—	
3-Wire (Two Blades, Two Fuses, S/N) — 240 Vac, 250 Vdc								
30	DH221NDK ⑧		—		DH221NWK		⑨	
60	DH222NDK ⑧		—		DH222NWK		⑨	
100	DH223NDK ⑧		—		DH223NWK		⑨	
200	DH224NDK ⑧		—		DH224NWK		⑨	
400	DH225NDK ⑧		DH225NPK		DH225NWK		—	
600	DH226NDK ⑧		DH226NPK		DH226NWK		—	
800	DH227NDK ⑧		DH227NPK		DH227NWK		—	
3-Pole — 240 Vac, 250 Vdc (Suitable for Service Entrance Use with a Neutral Kit Installed)								
30	DH321FDK ⑧		—		DH321FWK		⑩	
60	DH322FDK ⑧		—		DH322FWK		⑩	
100	DH323FDK ⑧		—		⑦		⑩	
200	DH324FDK ⑧		—		DH324FWK		⑩	
400	DH325FDK ⑧		DH325FPK		DH325FWK		—	
600	DH326FDK ⑧		DH326FPK		DH326FWK		—	
800	DH327FDK ⑧		DH327FPK		DH327FWK		—	
1200	DH328FDK ⑧		—		DH328FWK		—	
4-Wire (Three Blades, Three Fuses, S/N) — 240 Vac, 250 Vdc								
30	DH321NDK ⑧		—		DH321NWK		⑩	
60	DH322NDK ⑧		—		DH322NWK		⑩	
100	DH323NDK ⑧		—		DH323NWK		⑩	
200	DH324NDK ⑧		—		DH324NWK		⑩	
400	DH325NDK ⑧		DH325NPK		DH325NWK		—	
600	DH326NDK ⑧		DH326NPK		DH326NWK		—	
800	⑦⑧		—		⑦		—	
1200	DH328NDK ⑧		—		DH328NWK		—	
4-Pole — 240 Vac, 250 Vdc								
30	DH421FDK ⑧		—		⑦		—	
60	DH422FDK ⑧		—		⑦		—	
100	DH423FDK ⑧		—		⑦		—	
200	DH424FDK ⑧		—		⑦		—	
400	⑦⑧		—		⑦		—	
600	⑦⑧		—		⑦		—	

⑥ Use 3-pole catalog numbers below.
 ⑦ Contact the Safety Switch Flex Center (1-888-329-9272) for availability of this product.
 ⑧ NEMA 12 enclosures (30 – 1200 amperes) can be field modified to meet NEMA 3R rainproof requirements when a factory provided drain hole is opened.
 ⑨ Use 4-wire catalog numbers below.
 ⑩ Refer to EnviroLine Non-Metallic Safety Switches on **Page 8-41**.

Product Selection

600 Vac Heavy-Duty, Fusible, Single Throw

Specifications

- 30 – 1200 amperes.
- Horsepower rated.
- Suitable for service entrance use, except 1200 ampere on 480Y/277 or 600Y/347 grounded wye systems, per NEC 215-10 and 230-95, and 4-pole switches.
- UL listed File No. E5239.
- For factory modifications, refer to Pages 8-8 through 8-11.



DH362NRK

Table 8-44. Fusible 277/480 – 600 Volts

System	Ampere Rating	Fuse Class Provision	Maximum Horsepower Ratings with Time Delay Fuses						NEMA 1 Enclosure Indoor		NEMA 3R Enclosure Rainproof	
			Single-Phase ac		3-Phase ac		dc		Catalog Number	Price U.S. \$	Catalog Number	Price U.S. \$
			480 Volt	600 Volt	480 Volt	600 Volt	250 Volt	600 Volt				
2-Pole — 480 Vac— 600 Vac or dc ① (Suitable for Service Entrance Use with a Neutral Kit Installed)												
	30	H	7-1/2	10	—	—	—	15	DH261FGK	②	DH261FRK	
	60	H	20	25	—	—	—	25	DH262FGK		DH262FRK	
	100	H	30	40	—	—	—	20	DH263FGK		DH263FRK	
	200	H	50	50	—	—	—	50	DH264FGK		DH264FRK	
	400	H	—	—	—	—	50	—	DH265FGK		DH265FRK	
	600	H	—	—	—	—	—	—	DH266FGK		DH266FRK	
	800	L	—	—	—	—	—	—	DH267FGK		DH267FRK	
1200	L	—	—	—	—	—	—	DH267FGK	—			
3-Pole — 480 Vac— 600 Vac, 250 Vdc (Suitable for Service Entrance Use with a Neutral Kit Installed)												
	30	H	7-1/2	10	15	20	—	—	DH361FGK		DH361FRK	
	60	H	20	25	30	50	—	—	DH362FGK		DH362FRK	
	100	H	30	40	60	75	—	—	DH363FGK		DH363FRK	
	200	H	50	50	125	150	—	—	DH364FGK		DH364FRK	
	400	H	—	—	250	350	—	—	DH365FGK		DH365FRK	
	600	H	—	—	400	500	—	—	DH366FGK		DH366FRK	
	800	L	—	—	500	500	—	—	DH367FGK		DH367FRK	
1200	L	—	—	500	500	—	—	DH368FGK	DH368FRK			
4-Wire (Three Blades, 3-Fuses, S/N) 480 Vac— 600 Vac, 250 Vdc												
	30	H	7-1/2	10	15	20	—	—	DH361NGK		DH361NRK	
	60	H	20	25	30	50	—	—	DH362NGK		DH362NRK	
	100	H	30	40	60	75	—	—	DH363NGK		DH363NRK	
	200	H	50	50	125	150	—	—	DH364NGK		DH364NRK	
	400	H	—	—	250	350	—	—	DH365NGK		DH365NRK	
	600	H	—	—	400	500	—	—	DH366NGK		DH366NRK	
	800	L	—	—	500	500	—	—	DH367NGK		DH367NRK	
1200	L	—	—	500	500	—	—	DH368NGK	DH368NRK			
4-Pole — 480 Vac— 600 Vac, 250 Vdc												
	30	H	20	25	15	20	—	—	DH461FGK		③	
	60	H	40	50	30	50	—	—	DH462FGK		③	
	100	H	50	50	60	75	—	—	DH463FGK		③	
	200	H	—	—	125	150	40	—	DH464FGK		③	
	400	H	—	—	250	350	50	—	DH465FGK		②③	
	600	H	—	—	400	500	—	—	DH466FGK		②③	
	800	L	—	—	—	—	—	—	DH466FGK		②	

① dc rating for 400 – 800 ampere switches is 250 volts.

② Contact the Safety Switch Flex Center (1-888-329-9272) for availability of this product.

③ NEMA 12 enclosures (30 – 1200 amperes) can be field modified to meet NEMA 3R rainproof requirements when a factory provided drain hole is opened.

Note: 30 ampere heavy-duty switches with Type J fuse provisions are available from the factory only. See Table 8-15 on Page 8-10 for catalog numbers.

Product Selection



DH361NDK

Table 8-44. Fusible 277/480 – 600 Volts (Continued)

Ampere Rating	NEMA 12 Enclosure Industrial, Dust-tight		NEMA 4 Enclosure Watertight, Painted Steel		NEMA 4X Enclosure Corrosion-Resistant, Stainless Steel		NEMA 4X Enclosure Corrosion-Resistant, Non-Metallic	
	Catalog Number	Price U.S. \$	Catalog Number	Price U.S. \$	Catalog Number	Price U.S. \$	Catalog Number	Price U.S. \$
2-Pole — 480 Vac — 600 Vac or dc ^④ (Suitable for Service Entrance Use with a Neutral Kit Installed)								
30	DH261FDK ^⑤		—		DH261FWK		⑥ or ⑦	
60	DH262FDK ^⑤		—		⑥ or ⑦		⑥ or ⑦	
100	DH263FDK ^⑤		—		⑥ or ⑦		⑥ or ⑦	
200	DH264FDK ^⑤		—		DH264FWK		⑥ or ⑦	
400	DH265FDK ^⑤		⑥		⑥ or ⑦		—	
600	DH266FDK ^⑤		⑥		⑥ or ⑦		—	
800	DH267FDK ^⑤		⑥		⑥ or ⑦		—	
1200	⑦		—		⑦		—	
3-Pole — 480 Vac — 600 Vac, 250 Vdc (Suitable for Service Entrance Use with a Neutral Kit Installed)								
30	DH361FDK ^⑤		—		DH361FWK		⑧	
60	DH362FDK ^⑤		—		DH362FWK		⑧	
100	DH363FDK ^⑤		—		DH363FWK		⑧	
200	DH364FDK ^⑤		—		DH364FWK		⑧	
400	DH365FDK ^⑤		DH365FPK		DH365FWK		—	
600	DH366FDK ^⑤		DH366FPK		DH366FWK		—	
800	DH367FDK ^⑤		DH367FPK		DH367FWK		—	
1200	DH368FDK		—		DH368FWK		—	
4-Wire (Three Blades, 3-Fuses, S/N) 480 Vac — 600 Vac, 250 Vdc								
30	DH361NDK ^⑤		—		DH361NWK		⑧	
60	DH362NDK ^⑤		—		DH362NWK		⑧	
100	DH363NDK ^⑤		—		DH363NWK		⑧	
200	DH364NDK ^⑤		—		DH364NWK		⑧	
400	DH365NDK ^⑤		DH365NPK		DH365NWK		—	
600	DH366NDK ^⑤		DH366NPK		DH366NWK		—	
800	⑤⑦		—		⑦		—	
1200	DH368NDK		—		DH368NWK		—	
4-Pole — 480 Vac — 600 Vac, 250 Vdc								
30	⑤⑦		—		⑦		—	
60	⑤⑦		—		⑦		—	
100	DH463FDK ^⑤		—		⑦		—	
200	DH464FDK ^⑤		—		⑦		—	
400	⑤⑦		—		⑦		—	
600	⑤⑦		—		⑦		—	
800	⑤⑦		—		⑦		—	

④ dc rating for 400 – 800 ampere switches is 250 volts.
 ⑤ NEMA 12 enclosures (30 – 1200 amperes) can be field modified to meet NEMA 3R rainproof requirements when a factory provided drain hole is opened.
 ⑥ Use 3-pole catalog numbers below for 600 Vac, 250 Vdc maximum applications. For 600 Vdc, see note ⑦.
 ⑦ Contact the Safety Switch Flex Center (1-888-329-9272) for availability of this product.
 ⑧ Refer to EnviroLine Non-Metallic Safety Switches on Page 8-41.

Product Selection

600 Vac Heavy-Duty, Non-Fusible, Single Throw

Specifications

- 30 – 1200 amperes.
- Horsepower rated.
- Suitable for service entrance use, except 1200 ampere on 480Y/277 or 600Y/347 grounded wye systems, per NEC 215-10 and 230-95, and 4-pole switches.
- UL listed File No. E5239.
- For factory modifications, refer to Pages 8-8 through 8-11.



DH362UGK

Table 8-45. Non-Fusible 277/480 – 600 Volts

System	Ampere Rating	Maximum Horsepower Ratings								NEMA 1 Enclosure Indoor		NEMA 3R Enclosure Rainproof	
		Single-Phase ac			3-Phase ac			dc		Catalog Number	Price U.S. \$	Catalog Number	Price U.S. \$
		240 Volt	480 Volt	600 Volt	240 Volt	480 Volt	600 Volt	250 Volt	600 Volt				
2-Pole — 480 Vac — 600 Vac or dc ^① (Suitable for Service Entrance Use with a Neutral Kit Installed)													
	30	3	7-1/2	10	—	—	—	—	15	DH261UGK		DH261URK	
	60	10	20	25	—	—	—	25	DH262UGK		DH262URK		
	100	20	30	40	—	—	—	20	DH263UGK		DH263URK		
	200	15	50	50	—	—	—	50	DH264UGK		DH264URK		
	400	—	—	—	—	—	—	50	DH265UGK		DH265URK		
	600	—	—	—	—	—	—	—	DH266UGK		DH266URK		
	800	—	—	—	—	—	—	—	DH267UGK		DH267URK		
	1200	—	—	—	—	—	—	—	②		—		
3-Pole — 480 Vac — 600 Vac, 250 Vdc (Suitable for Service Entrance Use with a Neutral Kit Installed)													
	30	3	7-1/2	10	10	20	30	5	—	DH361UGK		DH361URK	
	60	10	20	25	20	50	60	10	—	DH362UGK		DH362URK	
	100	20	40	50	40	75	100	20	—	DH363UGK		DH363URK	
	200	15	50	50	60	125	150	40	—	DH364UGK		DH364URK	
	400	—	—	—	125	250	350	50	—	DH365UGK		DH365URK	
	600	—	—	—	200	400	500	—	—	DH366UGK		DH366URK	
	800	—	—	—	—	500	500	—	—	DH367UGK		DH367URK	
	1200	—	—	—	—	500	500	—	—	DH368UGK		DH368URK	
4-Pole — 480 Vac — 600 Vac, 250 Vdc													
	30	10	20	25	10	20	30	5	—	DH461UGK		③	
	60	20	40	50	20	50	60	10	—	DH462UGK		③	
	100	40	50	50	40	75	100	20	—	DH463UGK		③	
	200	50	50	50	60	125	150	40	—	DH464UGK		③	
	400	50	—	—	125	250	350	50	—	DH465UGK		②③	
	600	—	—	—	200	400	500	—	—	DH466UGK		②③	
	800	—	—	—	—	—	—	—	—	②		②③	

① dc rating for 400 – 800 ampere switches is 250 volts.

② Contact the Safety Switch Flex Center (1-888-329-9272) for availability of this product.

③ NEMA 12 enclosures (30 – 1200 amperes) can be field modified to meet NEMA 3R rainproof requirements when a factory provided drain hole is opened.

Product Selection



DH361UWK

Table 8-45. Non-Fusible 277/480 – 600 Volts (Continued)

Ampere Rating	NEMA 12 Enclosure Industrial, Dust-tight		NEMA 4 Enclosure Watertight, Painted Steel		NEMA 4X Enclosure Corrosion-Resistant, Stainless Steel		NEMA 4X Enclosure Corrosion-Resistant, Non-Metallic	
	Catalog Number	Price U.S. \$	Catalog Number	Price U.S. \$	Catalog Number	Price U.S. \$	Catalog Number	Price U.S. \$
2-Pole — 480 Vac — 600 Vac or dc ^④ (Suitable for Service Entrance Use with a Neutral Kit Installed)								
30	DH261UDK ^⑤	—	—	—	⑥ or ⑦	—	⑥ or ⑦	—
60	DH262UDK ^⑤	—	—	—	⑥ or ⑦	—	⑥ or ⑦	—
100	DH263UDK ^⑤	—	—	—	⑥ or ⑦	—	⑥ or ⑦	—
200	DH264UDK ^⑤	—	—	—	⑥ or ⑦	—	⑥ or ⑦	—
400	DH265UDK ^⑤	—	⑥	—	⑥ or ⑦	—	—	—
600	DH266UDK ^⑤	—	⑥	—	⑥ or ⑦	—	—	—
800	DH267UDK ^⑤	—	⑥	—	⑥ or ⑦	—	—	—
1200	⑦	—	—	—	⑦	—	—	—
3-Pole — 480 Vac — 600 Vac, 250 Vdc (Suitable for Service Entrance Use with a Neutral Kit Installed)								
30	DH361UDK ^⑤	—	—	—	DH361UWK	—	⑧	—
60	DH362UDK ^⑤	—	—	—	DH362UWK	—	⑧	—
100	DH363UDK ^⑤	—	—	—	DH363UWK	—	⑧	—
200	DH364UDK ^⑤	—	—	—	DH364UWK	—	⑧	—
400	DH365UDK ^⑤	—	DH365UPK	—	DH365UWK	—	—	—
600	DH366UDK ^⑤	—	DH366UPK	—	DH366UWK	—	—	—
800	DH367UDK ^⑤	—	DH367UPK	—	DH367UWK	—	—	—
1200	DH368UDK	—	—	—	DH368UWK	—	—	—
4-Pole — 480 Vac — 600 Vac, 250 Vdc								
30	DH461UDK ^⑤	—	—	—	DH461UWK	—	—	—
60	DH462UDK ^⑤	—	—	—	⑦	—	—	—
100	DH463UDK ^⑤	—	—	—	⑦	—	—	—
200	DH464UDK ^⑤	—	—	—	⑦	—	—	—
400	⑥⑦	—	—	—	⑦	—	—	—
600	⑥⑦	—	—	—	⑦	—	—	—
800	⑥⑦	—	—	—	⑦	—	—	—

④ dc rating for 400 – 800 ampere switches is 250 volts.
 ⑤ NEMA 12 enclosures (30 – 1200 amperes) can be field modified to meet NEMA 3R rainproof requirements when a factory provided drain hole is opened.
 ⑥ Use 3-pole catalog numbers below for 600 Vac, 250 Vdc maximum applications. For 600 Vdc, see note ⑦.
 ⑦ Contact the Safety Switch Flex Center (1-888-329-9272) for availability of this product.
 ⑧ Refer to EnviroLine Non-Metallic Safety Switches on Page 8-43.

Product Selection

240 Vac Heavy-Duty, Fusible,
Non-Fusible, Double Throw

Specifications

- 30 – 800 amperes.
- Horsepower rated.
- Suitable for service entrance use with neutral kit installed.
- Suitable for use as a manually operated switch per 2005 NEC Article 702.
- Fusible and non-fusible.
- UL listed File No. E5239.
- For factory modifications, refer to Pages 8-8 through 8-11.



DT363URK



DT363FGK

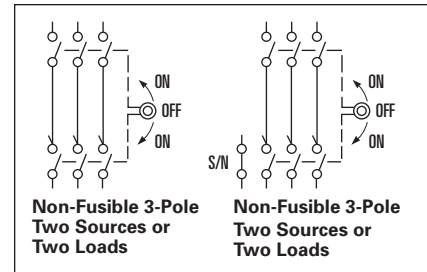


Figure 8-10. Typical Non-Fusible Double Throw Schematic Diagram

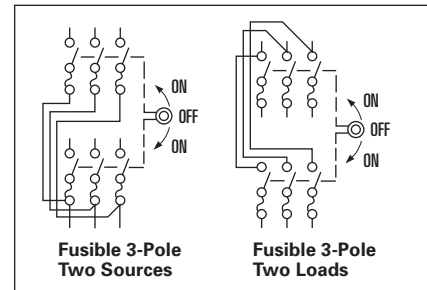


Figure 8-11. Typical Fusible Double Throw Schematic Diagram

Table 8-46. Fusible

Ampere Rating Main and Standby	Fuse Class Provision	Maximum Horsepower Ratings with Time Delay Fuses							NEMA 1 Enclosure Indoor		NEMA 3R Enclosure Rainproof	
		Single-Phase ac			3-Phase ac			dc 250 V	Catalog Number	Price U.S. \$	Catalog Number	Price U.S. \$
		240 Volt	480 Volt	600 Volt	240 Volt	480 Volt	600 Volt					
2-Pole — 240 Vac — 250 Vdc												
200	H	15	—	—	—	—	—	40	DT224FGK		DT224FRK	
3-Pole — 240 Vac — 250 Vdc												
30	H	3	—	—	7-1/2	—	—	5	DT321FGK		DT321FRK	
60	H	10	—	—	15	—	—	10	DT322FGK		DT322FRK	
100	H	15	—	—	30	—	—	20	DT323FGK		DT323FRK	
200	H	15	—	—	60	—	—	40	DT324FGK		DT324FRK	
400	H	—	—	—	125	—	—	50	DT325FGK		DT325FRK	
600 ^①	T	—	—	—	50	—	—	50	DT326FGK		DT326FRK	

① Only available for use with fast acting fuses. Standard hp rating is shown.

Table 8-47. Non-Fusible

Ampere Rating Main and Standby	Maximum Horsepower Ratings	Maximum Horsepower Ratings							NEMA 1 Enclosure Indoor		NEMA 3R Enclosure Rainproof	
		Single-Phase ac			3-Phase ac			dc 250 V	Catalog Number	Price U.S. \$	Catalog Number	Price U.S. \$
		240 Volt	480 Volt	600 Volt	240 Volt	480 Volt	600 Volt					
Non-Fusible 2-Pole — 240 Vac — 250 Vdc												
30	3	—	—	—	—	—	—	5	DT221UGK		④	
60	10	—	—	—	—	—	—	10	DT222UGK		④	
100	20	—	—	—	—	—	—	20	DT223UGK		④	
200	15	—	—	—	—	—	—	40	DT224UGK		DT224URK	
400	—	—	—	—	—	—	—	50	DT225UGK		DT225URK	
600	—	—	—	—	—	—	—	—	DT226UGK		④	
Non-Fusible 3-Pole — 240 Vac — 250 Vdc												
30	3	—	—	10	—	—	—	5	DT321UGK		④	
60	10	—	—	20	—	—	—	10	DT322UGK		④	
100	20	—	—	40	—	—	—	20	DT323UGK		DT323URK	
200	15	—	—	60	—	—	—	40	DT324UGK		DT324URK	
400	—	—	—	125	—	—	—	50	DT325UGK		DT325URK	
600	—	—	—	125	—	—	—	50	DT326UGK		④	
800	—	—	—	125	—	—	—	50	DT327UGK ^{②③}		④	
800	—	—	—	125	—	—	—	50	DT327UGK-N		④	

② **WARNING!** Switch is not approved for service entrance.

③ Field installable neutral kit is not available. If a neutral is required, order the catalog number shown in the table with "N" suffix.

④ Contact the Safety Switch Flex Center (1-888-329-9272) for availability of this product.

Note: UL listed switching neutral capability is available on 3-pole and 4-pole non-fusible double throw switches with the installation of the proper bonding kit shown on Page 8-5. See Page 8-10 for factory installation from the Flex Center.

Discount Symbol **22CD**

600 Vac Heavy-Duty, Fusible, Non-Fusible, Double Throw

Table 8-48. Fusible

Ampere Rating Main and Standby	Fuse Class Provision	Maximum Horsepower Ratings with Time Delay Fuses					NEMA 1 Enclosure Indoor		NEMA 3R Enclosure Rainproof		NEMA 12 Enclosure Industrial, Dust-tight		NEMA 4X Enclosure Corrosion-Resistant, Stainless Steel	
		Single-Phase ac		3-Phase ac		dc	Catalog Number	Price U.S. \$	Catalog Number	Price U.S. \$	Catalog Number	Price U.S. \$	Catalog Number	Price U.S. \$
		480 Volt	600 Volt	480 Volt	600 Volt	250 Volt								
3-Pole — 600 Vac — 250 Vdc														
30	H	7-1/2	10	15	20	—	DT361FGK		①		①		DT361FWK	
60	H	20	25	30	50	—	DT362FGK		①		①		DT362FWK	
100	H	30	40	60	75	—	DT363FGK			DT363FRK		①	DT363FWK	
200	H	50	50	125	150	40	DT364FGK			DT364FRK		①	DT364FWK	
400	T	—	—	250	350	50	DT365FGK			DT365FRK		①	DT365FWK	

① Contact the Safety Switch Flex Center (1-888-329-9272) for availability of this product.

Table 8-49. Non-Fusible

Ampere Rating Main and Standby	Maximum Horsepower Ratings					NEMA 1 Enclosure Indoor		NEMA 3R Enclosure Rainproof		NEMA 12 Enclosure Industrial, Dust-tight		NEMA 4X Enclosure Corrosion-Resistant, Stainless Steel		
	Single-Phase ac		3-Phase ac		dc	Catalog Number	Price U.S. \$	Catalog Number	Price U.S. \$	Catalog Number	Price U.S. \$	Catalog Number	Price U.S. \$	
	480 Volt	600 Volt	480 Volt	600 Volt	250 Volt									
2-Pole — 600 Vac — 250 Vdc														
30	7-1/2	10	—	—	5	DT261UGK		③		—		—		
60	20	25	—	—	10	DT262UGK		③		—		—		
100	40	50	—	—	20	DT263UGK		③		—		—		
200	50	50	—	—	40	DT264UGK ②			DT264URK ②	—		—		
400	—	—	—	—	50	DT265UGK			DT265URK	—		—		
600	—	—	—	—	50	DT266UGK			DT266URK	—		—		
3-Pole — 600 Vac — 250 Vdc														
30	7-1/2	10	20	30	5	DT361UGK			DT361URK			DT361UDK ⑥		DT361UWK
60	20	25	50	60	10	DT362UGK			DT362URK			DT362UDK ⑥		DT362UWK
100	40	50	75	100	20	DT363UGK			DT363URK			DT363UDK ⑥		DT363UWK
200	50	50	125	150	40	DT364UGK			DT364URK			DT364UDK ⑥		DT364UWK
400	—	—	250	350	50	DT365UGK			DT365URK			DT365UDK ⑥⑦		DT365UWK
600	—	—	250	350	50	DT366UGK			DT366URK			③⑥		③
800	—	—	250	350	50	DT367UGK ④⑤			DT367URK ④⑤			③⑥		③
800	—	—	250	350	50	DT367UGK-N			DT367URK-N			③⑥		③
4-Pole — 600 Vac — 250 Vdc ④														
30	7-1/2	10	20	30	5	③			DT461URK			③		③
60	20	25	50	60	10	③			DT462URK			③		③
100	40	50	75	100	20	③			DT463URK			③		③
200	—	50	125	150	40				DT464URK			③		③
400	—	—	250	350	50				DT465URK			③		③
600	—	—	250	350	50				DT466URK			③		③
800	—	—	250	350	50				DT467URK			③		③
6-Pole — 600 Vac — 250 Vdc ④														
30	7-1/2	10	15	30	5	③			DT661URK			③		③
60	20	25	50	60	10	③			DT662URK			③		③
100	40	50	75	100	20	③			DT663URK			③		③

② Rated 600 Vdc, 50 hp in addition to ratings shown in table.

③ Contact the Safety Switch Flex Center (1-888-329-9272) for availability of this product.

④ **WARNING!** Switch is not approved for service entrance.

⑤ **Field installable neutral kit is not available. If a neutral is required, order the catalog number shown in the table with "N" suffix.**

⑥ NEMA 12 enclosures (30 – 1200 amperes) can be field modified to meet NEMA 3R rainproof requirements when a factory provided drain hole is opened.

⑦ Also available in 240 Vac catalog number DT325UDK.

Note: UL listed switching neutral capability is available on 3-pole and 4-pole non-fusible double throw switches with the installation of the proper bonding kit shown on **Page 8-5**. See **Page 8-10** for factory installation from the Flex Center.

Product Selection

240 Vac General-Duty, Non-Fusible, Compact Design, Double Throw

Specifications

- 30 – 100 amperes.
- Suitable for service entrance use with neutral kit installed.
- Suitable for use as a manually operated switch per 2005 NEC Article 702.
- Non-fusible.
- UL listed File No. E5239.



DT223URH-N Compact Design

Table 8-50. Non-Fusible

Ampere Rating Main and Standby	NEMA 3R Enclosure Rainproof	
	Catalog Number	Price U.S. \$
Non-Fusible 2-Pole — 240 Vac		
30	DT221URH	
60	DT222URH	
100	DT223URH	
Non-Fusible 2-Pole, 3-Wire — 240 Vac— Solid Neutral		
30	DT221URH-N	
60	DT222URH-N	
100	DT223URH-N	

240 Vac General-Duty, Non-Fusible, Double Throw

Specifications

- 30 – 400 amperes.
- Horsepower rated.
- Suitable for service entrance use with neutral kit installed.
- Suitable for use as a manually operated switch per 2005 NEC Article 702.
- Non-fusible.
- UL listed File No. E5239.
- Quick-make, quick-break operating mechanism.



DT224URK-NPS

Table 8-51. Non-Fusible

Ampere Rating Main and Standby	Maximum Horsepower Ratings						dc 250 Volt	NEMA 3R Enclosure Rainproof	
	Single-Phase ac			3-Phase ac				Catalog Number	Price U.S. \$
	240 Volt	480 Volt	600 Volt	240 Volt	480 Volt	600 Volt			
Non-Fusible 2-Pole — 240 Vac — 250 Vdc									
30	3	—	—	—	—	—	5	DT221URKPS	
60	10	—	—	—	—	—	10	DT222URKPS	
100	20	—	—	—	—	—	20	DT223URKPS	
200	15	—	—	—	—	—	40	DT224URKPS	
400	—	—	—	—	—	—	50	DT225URKPS	
Non-Fusible 2-Pole, 3-Wire — 240 Vac — 250 Vdc, Solid Neutral									
30	3	—	—	—	—	—	5	DT221URK-NPS	
60	10	—	—	—	—	—	10	DT222URK-NPS	
100	20	—	—	—	—	—	20	DT223URK-NPS	
200	15	—	—	—	—	—	40	DT224URK-NPS	
400	—	—	—	—	—	—	50	DT225URK-NPS	

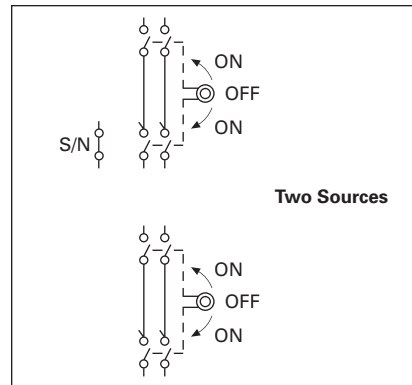


Figure 8-12. Typical General-Duty Double Throw Schematic Diagrams (with and without factory installed neutral)

Product Selection

**600 Vac Heavy-Duty, Fusible,
Non-Fusible, 6-Pole, Single Throw**

Specifications

- 600 Vac, 250 Vdc maximum.
- 30 – 800 amperes.
- Fusible or non-fusible.
- UL listed File No. E5239.
- For factory modifications, refer to **Pages 8-8 through 8-11.**



DH661UDK

Table 8-52. Fusible

System	Ampere Rating	Maximum Horsepower Ratings, 3-Phase ac (Higher Rating with Time Delay Fuses)			NEMA 12 Enclosure Industrial, Dust-tight		NEMA 4X Enclosure Corrosion-Resistant, Stainless Steel	
		240 Volt	480 Volt	600 Volt	Catalog Number	Price U.S. \$	Catalog Number	Price U.S. \$

6-Pole — 600 Vac with Fuse Clips — 250 Vdc

	30	3 – 7-1/2	5 – 15	7-1/2 – 20	DH661FDK ①		②	
	60	7-1/2 – 15	15 – 30	15 – 50	DH662FDK ①		②	
	100	15 – 30	25 – 60	30 – 75	DH663FDK ①		②	
	200	25 – 60	50 – 125	60 – 150	DH664FDK ①		②	
	400	—	—	—	②		②	
	600	—	—	—	②		②	
	800	—	—	—	②		②	

① NEMA 12 enclosures (30 – 800 amperes) can be field modified to meet NEMA 3R rainproof requirements when a factory provided drain hole is opened.
 ② Contact the Safety Switch Flex Center (1-888-329-9272) for availability of this product.

Note: 30 ampere heavy-duty switches with Type J fuse provisions are available from the factory only. See **Table 8-15** on **Page 8-10** for catalog numbers.

Table 8-53. Non-Fusible

System	Ampere Rating	Maximum Horsepower Ratings					NEMA 12 Enclosure Industrial, Dust-tight		NEMA 4X Enclosure Corrosion-Resistant, Stainless Steel	
		3-Phase ac			dc		Catalog Number	Price U.S. \$	Catalog Number	Price U.S. \$
		240 Volt	480 Volt	600 Volt	250 Volt	600 Volt ③				

6-Pole — 600 Vac — 250 Vdc

	30	10	20	30	5	15	DH661UDK ④		DH661UWK	
	60	20	50	60	10	25	DH662UDK ④		DH662UWK	
	100	40	75	100	20	25	DH663UDK ④		DH663UWK	
	200	60	125	150	40	50	DH664UDK ④		DH664UWK	
	400	—	—	—	—	—	⑤		⑤	
	600	—	—	—	—	—	⑤		⑤	
	800	—	—	—	—	—	⑤		⑤	

③ 600 Vdc rating requires that the switch be wired per the wiring diagram on the device publication.
 ④ NEMA 12 enclosures (30 – 800 amperes) can be field modified to meet NEMA 3R rainproof requirements when a factory provided drain hole is opened.
 ⑤ Contact the Safety Switch Flex Center (1-888-329-9272) for availability of this product.

Discount Symbol **22CD**

Product Selection

Enclosed Rotary

Specifications

- 16 – 125 amperes.
- 600 volt, 3-, 4-pole non-fusible device.
- Accepts auxiliary contacts.
- Meets NEC Article 430.
- Ground lug connection provided.
- UL listed under Section 508.
- UL listed File Number E165150.



Enclosed Rotary Switches

Table 8-54. Non-Fusible

Ampere Rating	Maximum Horsepower Ratings					NEMA 1 Enclosure Indoor		NEMA 12 ① Enclosure Dust-tight/Rainproof		NEMA 4X Enclosure Corrosion-Resistant, Stainless Steel		NEMA 4X Enclosure Corrosion-Resistant, Non-Metallic	
	3-Phase ac					Catalog Number	Price U.S. \$	Catalog Number	Price U.S. \$	Catalog Number	Price U.S. \$	Catalog Number	Price U.S. \$
	200 Volt	208 Volt	240 Volt	480 Volt	600 Volt								

Non-Fusible 3-Pole, 600 Vac

16	—	—	2	7-1/2	7-1/2	DR3016UG		DR3016UD		DR3016UW		DR3016UX	
25	—	—	5	10	15	DR3025UG		DR3025UD		DR3025UW		DR3025UX	
30	—	—	7-1/2	15	25	DR3030UG		DR3030UD		DR3030UW		DR3030UX	
40	10	10	10	20	30	DR3040UG		DR3040UD		DR3040UW		DR3040UX	
60	—	—	15	30	40	DR3060UG		DR3060UD		DR3060UW		DR3060UX	
80	15	15	20	40	50	DR3080UG		DR3080UD		DR3080UW		DR3080UX	
100	—	—	25	50	60	DR3100UG		DR3100UD		DR3100UW		DR3100UX	
125	—	—	25	50	60	DR3125UG		DR3125UD		DR3125UW		DR3125UX	

Non-Fusible 4-Pole, 600 Vac

16	—	—	2	7-1/2	7-1/2	DR4016UG		DR4016UD		DR4016UW		DR4016UX	
25	—	—	5	10	15	DR4025UG		DR4025UD		DR4025UW		DR4025UX	
30	—	—	7-1/2	15	25	DR4030UG		DR4030UD		DR4030UW		DR4030UX	
40	—	—	10	20	30	DR4040UG		DR4040UD		DR4040UW		DR4040UX	

① NEMA Type 12 enclosures (16 – 125 amperes) can be field modified to meet NEMA Type 3R rainproof requirements when a factory provided drain hole is opened.

Table 8-55. Auxiliary Contacts for Rotary Switches

Ampere Rating	Description	Catalog Number	Price U.S. \$
16 – 25	1NO/1NC, for 3-, 4-Pole, Includes Holder and Contact	CMAC CRAC3 ② CRAC4 ②	
30 – 40	1NO, for 3-Pole, Includes Holder and Contact		
30 – 40	1NO, for 4-Pole, Includes Holder and Contact		
60 – 125	1NO, for 3-Pole, Includes Holder and Contact	CWAC3 ② CRAA ② CRAB ②	
30 – 125	1NC, for 3-, 4-Pole, Contact Only		
30 – 125	1NO, for 3-, 4-Pole, Contact Only		

② The mechanism is reverse activated on these contacts. (The natural state of the un-installed contact is opposite of the state it becomes once installed.) Once installed, it has the listed state shown.

Note: Contact the Safety Switch Flex Center (1-888-329-9272) for factory installed accessories or other special modifications.

EnviroLine/Stainless Steel

**240 Vac Heavy-Duty, Fusible and Non-Fusible, Single Throw
Stainless Steel Enclosure and Operating Mechanism**

Specifications

- Stainless steel enclosure (304 grade).
- Stainless steel mechanism (304 grade).
- 30 – 400 amperes.
- Horsepower rated.
- Suitable for service entrance use.
- UL listed File No. E5239.
- For factory modifications, refer to **Pages 8-8 through 8-11.**



DH321NWKX

Table 8-56. Fusible 240 Volts

System	Ampere Rating	Fuse Class Provision	Maximum Horsepower Ratings with Time Delay Fuses						NEMA 4X Enclosure Corrosion-Resistant, Stainless Steel	
			ac				dc 250 V		Catalog Number	Price U.S. \$
			Standard Fuse		Time Delay		Single-Phase	3-Phase		
Single-Phase	3-Phase	Single-Phase	3-Phase							
3-Wire (2 Blades, 2 Fuses, S/N), 240 Vac — 250 Vdc										
	30 60 100 200 400	H H H H H	1-1/2 3 7-1/2 15 —	3 7-1/2 15 25 50	3 10 15 15 —	7-1/2 15 30 60 125	5 10 20 40 50	DH221NWKX DH222NWKX DH223NWKX DH224NWKX DH225NWKX		
3-Pole, 240 Vac — 250 Vdc (Suitable for Service Entrance Use with a Neutral Kit Installed)										
	30 60 100 200 400	H H H H H	1-1/2 3 — 15 —	3 7-1/2 — 25 50	— — — — —	7-1/2 15 — 60 125	— — — 40 50	DH321FWKX DH322FWKX ① DH324FWKX DH325FWKX		
4-Wire (3 Blades, 3 Fuses, S/N), 240 Vac — 250 Vdc										
	30 60 100 200 400	H H H H H	— — — — —	3 7-1/2 15 25 50	— — — — —	7-1/2 15 30 60 125	— — 20 — 50	DH321NWKX DH322NWKX DH323NWKX DH324NWKX DH325NWKX		

① Contact the Safety Switch Flex Center (1-888-329-9272) for availability of this product.

Note: 30 ampere heavy-duty switches with Type J fuse provisions are available from the factory only. See **Table 8-15** on **Page 8-10** for catalog numbers.

Product Selection

EnviroLine/Stainless Steel

600 Vac Heavy-Duty, Fusible and Non-Fusible, Single Throw
Stainless Steel Enclosure and Operating Mechanism

Specifications

- Stainless steel enclosure (304 grade).
- Stainless steel mechanism (304 grade).
- 30 – 400 amperes.
- Horsepower rated.
- Suitable for service entrance use.
- UL listed File No. E5239.
- For factory modifications, refer to Pages 8-8 through 8-11.



DH361UWKX

Table 8-57. Fusible 277/480 – 600 Volts

System	Ampere Rating	Fuse Class Provision	Maximum Horsepower Ratings with Time Delay Fuses						NEMA 4X Enclosure Corrosion-Resistant, Stainless Steel	
			Single-Phase ac		3-Phase ac		dc		Catalog Number	Price U.S. \$
			480 Volt	600 Volt	480 Volt	600 Volt	250 Volt	600 Volt		
2-Pole, 480 Vac — 600 Vac or dc ② (Suitable for Service Entrance Use with a Neutral Kit Installed)										
	30 60 100 200 400	H H H H H	7-1/2 — — 50 —	10 — — 50 —	— — — — —	— — — — —	— — — — —	15 — — 50 —	DH261FWKX ① ① DH264FWKX ①	
3-Pole, 480 Vac — 600 Vac, 250 Vdc (Suitable for Service Entrance Use with a Neutral Kit Installed)										
	30 60 100 200 400	H H H H H	7-1/2 20 30 50 —	10 25 30 50 —	15 30 60 125 250	20 50 75 150 350	— — — — —	— — — — —	DH361FWKX DH362FWKX DH363FWKX DH364FWKX DH365FWKX	
4-Wire (3 Blades, 3 Fuses, S/N) 480 Vac — 600 Vac, 250 Vdc										
	30 60 100 200 400	H H H H H	7-1/2 20 40 50 —	10 25 50 50 —	20 50 75 125 250	30 60 100 150 350	— — — — —	— — — — —	DH361NWKX DH362NWKX DH363NWKX DH364NWKX DH365NWKX	

① Contact the Safety Switch Flex Center (1-888-329-9272) for availability of this product.

② dc rating for 400 ampere switches is 250 volts.

Note: 30 ampere heavy-duty switches with Type J fuse provisions are available from the factory only. See Table 8-15 on Page 8-10 for catalog numbers.

Table 8-58. Non-Fusible 277/480 – 600 Volts

System	Ampere Rating	Maximum Horsepower Ratings						NEMA 4X Enclosure Corrosion-Resistant, Stainless Steel		
		Single-Phase ac		3-Phase ac		dc		Catalog Number	Price U.S. \$	
		480 Volt	600 Volt	480 Volt	600 Volt	250 Volt	600 Volt			
3-Pole, 480 Vac — 600 Vac, 250 Vdc (Suitable for Service Entrance Use with a Neutral Kit Installed)										
	30 60 100 200 400		7-1/2 20 40 50 —	10 25 50 50 —	20 50 75 125 250	30 60 100 150 350	5 10 20 40 50	— — — — —	DH361UWKX DH362UWKX DH363UWKX DH364UWKX DH365UWKX	

EnviroLine/Upper Window

**240 Vac — 600 Vac Heavy-Duty, Fusible and Non-Fusible
Single Throw with Upper Viewing Window**

Specifications

- 30 – 800 amperes.
- Blade visibility when door closed.
- 240 and 600 volts, fusible and non-fusible.
- Suitable for service entrance use.
- NEMA 12, 4 and 4X enclosures.
- UL listed and NEMA approved.
- For factory modifications, refer to **Pages 8-8 through 8-11.**



DH361UDKW



DH363NDKW (Shown Open & Closed)

Table 8-59. Fusible

System	Ampere Rating	Fuse Class Provision	Maximum Horsepower Ratings with Time Delay Fuses				NEMA 12 Enclosure Industrial, Dust-tight		NEMA 4 Enclosure Watertight, Painted Steel		NEMA 4X Enclosure Corrosion-Resistant, Stainless Steel	
			ac		dc 250 V		Catalog Number	Price U.S. \$	Catalog Number	Price U.S. \$	Catalog Number	Price U.S. \$
			Standard Fuse	Time Delay	1-Phase	3-Phase						
			1-Phase	3-Phase	1-Phase	3-Phase						
4-Wire (3 Blades, 3 Fuses, S/N), 240 Vac — 250 Vdc ①												
	30	H	—	3	—	7-1/2	—	DH321NDKW ②				DH321NWKW
	60	H	—	7-1/2	—	15	—	DH322NDKW ②				DH322NWKW
	100	H	—	15	—	30	20	DH323NDKW ②				DH323NWKW
	200	H	—	25	—	60	—	DH324NDKW ②				DH324NWKW
	400	H	—	50	—	125	50	DH325NDKW ②		DH325NPKW		DH325NWKW
	600	H	—	75	—	200	—	DH326NDKW ②		DH326NPKW		DH326NWKW
	800	L	—	100	—	250	—	DH327NDKW ②		DH327NPKW		DH327NWKW

① For 2-pole applications, use outside poles of 3-pole switch.

② NEMA 12 enclosures (30 – 800 amperes) can be field modified to meet NEMA 3R rainproof requirements when a factory provided drain hole is opened.

Table 8-60. Fusible

System	Ampere Rating	Fuse Class Provision	Maximum Horsepower Ratings with Time Delay Fuses				NEMA 12 Enclosure Industrial, Dust-tight		NEMA 4 Enclosure Watertight, Painted Steel		NEMA 4X Enclosure Corrosion-Resistant, Stainless Steel	
			Single-Phase ac		3-Phase ac		Catalog Number	Price U.S. \$	Catalog Number	Price U.S. \$	Catalog Number	Price U.S. \$
			480 Volt	600 Volt	480 Volt	600 Volt						
4-Wire (3 Blades, 3 Fuses, S/N), 600 Vac — 250 Vdc ③												
	30	H	7-1/2	10	15	20	—	DH361NDKW ④				DH361NWKW
	60	H	20	25	30	50	—	DH362NDKW ④				DH362NWKW
	100	H	30	40	60	75	—	DH363NDKW ④				DH363NWKW
	200	H	50	50	125	150	—	DH364NDKW ④				DH364NWKW
	400	H	—	—	250	350	—	DH365NDKW ④		DH365NPKW		DH365NWKW
	600	H	—	—	400	500	—	DH366NDKW ④		DH366NPKW		DH366NWKW
	800	L	—	—	500	500	—	DH367NDKW ④		DH367NPKW		DH367NWKW

③ For 2-pole applications, use outside poles of 3-pole switch.

④ NEMA 12 enclosures (30 – 800 amperes) can be field modified to meet NEMA 3R rainproof requirements when a factory provided drain hole is opened.

Note: 30 ampere heavy-duty switches with Type J fuse provisions are available from the factory only. See **Table 8-15** on **Page 8-10** for catalog numbers.

Note: Effective August 2003, 30 – 100 ampere window switches offer visible blade verification and blown fuse indication in a single design as shown in the photos. The window is replaceable. Higher ampere ratings will continue to be manufactured with a non-replaceable epoxy affixed design with visible blade verification only.

Product Selection

EnviroLine/Upper Window

240 Vac — 600 Vac Heavy-Duty, Non-Fusible
Single Throw with Upper Viewing Window

Specifications

- 30 – 800 amperes.
- Blade visibility when door closed.
- 240 and 600 volts, fusible and non-fusible.
- Suitable for service entrance use.
- NEMA 12, 4 and 4X enclosures.
- UL listed and NEMA approved.
- For factory modifications, refer to Pages 8-8 through 8-11.



DH361UWKW



DH363UDKW

Table 8-61. Non-Fusible

System	Ampere Rating	Maximum Horsepower Ratings						NEMA 12 Enclosure Industrial, Dust-tight		NEMA 4 Enclosure Watertight, Painted Steel		NEMA 4X Enclosure Corrosion-Resistant, Stainless Steel	
		Single-Phase ac		3-Phase ac		dc		Catalog Number	Price U.S. \$	Catalog Number	Price U.S. \$	Catalog Number	Price U.S. \$
		480 Volt	600 Volt	480 Volt	600 Volt	250 Volt	600 Volt						
3-Pole — 600 Vac, 250 Vdc ^① (Suitable for Service Entrance Use with a Neutral or Ground Lug Kit Installed)													
	30	7-1/2	10	20	30	5	—	DH361UDKW ^②	—	—	—	DH361UWKW	—
	60	20	25	50	60	10	—	DH362UDKW ^②	—	—	—	DH362UWKW	—
	100	40	50	75	100	20	—	DH363UDKW ^②	—	—	—	DH363UWKW	—
	200	50	50	125	150	40	—	DH364UDKW ^②	—	—	—	DH364UWKW	—
	400	—	—	250	350	50	—	DH365UDKW ^②	—	DH365UPKW	—	DH365UWKW	—
	600	—	—	400	500	—	—	DH366UDKW ^②	—	DH366UPKW	—	DH366UWKW	—
	800	—	—	500	500	—	—	DH367UDKW ^②	—	DH367UPKW	—	DH367UWKW	—

^① For 2-pole applications, use outside poles of 3-pole switch.

^② NEMA 12 enclosures (30 – 800 amperes) can be field modified to meet NEMA 3R rainproof requirements when a factory provided drain hole is opened.

EnviroLine/Lower Window

**240 Vac — 600 Vac Heavy-Duty, Fusible,
Single Throw with Lower Viewing Window**

Specifications

- 30 – 600 amperes.
- Lower viewing window over fuses to allow visual verification of blown fuse indicators for **Littlefuse, Inc.** fuses.
- 240 and 600 volts, fusible.
- Suitable for service entrance use.
- NEMA 12, 4 and 4X enclosures.
- UL listed and NEMA approved.
- For factory modifications, refer to **Pages 8-8 through 8-11.**



DH324NDKLW

Table 8-62. Fusible

System	Ampere Rating	Fuse Class Provision	Maximum Horsepower Ratings with Time Delay Fuses				dc 250 Volt	NEMA 12 Enclosure Industrial, Dust-tight		NEMA 4 Enclosure Watertight, Painted Steel		NEMA 4X Enclosure Corrosion-Resistant, Stainless Steel	
			Standard Fuse		Time Delay			Catalog Number	Price U.S. \$	Catalog Number	Price U.S. \$	Catalog Number	Price U.S. \$
			1-Phase	3-Phase	1-Phase	3-Phase							
4-Wire (3 Blades, 3 Fuses, S/N), 240 Vac — 250 Vdc ①													
	30	H	—	3	—	7-1/2	—	DH321NDKW ②	—	—	—	DH321NWKW	—
	60	H	—	7-1/2	—	15	—	DH322NDKW ②	—	—	—	DH322NWKW	—
	100	H	—	15	—	30	20	DH323NDKW ②	—	—	—	DH323NWKW	—
	200	H	—	25	—	60	—	DH324NDKLW ②	—	—	—	DH324NWKW	—
	400	H	—	50	—	125	50	DH325NDKLW ②	—	DH325NPKLW	—	DH325NWKW	—
	600	H	—	75	—	200	—	DH326NDKLW ②	—	DH326NPKLW	—	DH326NWKW	—

① For 2-pole applications, use outside poles of 3-pole switch.
 ② NEMA 12 enclosures (30 – 600 amperes) can be field modified to meet NEMA 3R rainproof requirements when a factory provided drain hole is opened.

Table 8-63. Fusible

System	Ampere Rating	Fuse Class Provision	Maximum Horsepower Ratings with Time Delay Fuses				dc 250 Volt	NEMA 12 Enclosure Industrial, Dust-tight		NEMA 4 Enclosure Watertight, Painted Steel		NEMA 4X Enclosure Corrosion-Resistant, Stainless Steel	
			Single-Phase ac		3-Phase ac			Catalog Number	Price U.S. \$	Catalog Number	Price U.S. \$	Catalog Number	Price U.S. \$
			480 Volt	600 Volt	480 Volt	600 Volt							
4-Wire (3 Blades, 3 Fuses, S/N), 600 Vac — 250 Vdc ③													
	30	H	7-1/2	10	15	20	—	DH361NDKW ④	—	—	—	DH361NWKW	—
	60	H	20	25	30	50	—	DH362NDKW ④	—	—	—	DH362NWKW	—
	100	H	30	40	60	75	—	DH363NDKW ④	—	—	—	DH363NWKW	—
	200	H	50	50	125	150	—	DH364NDKLW ④	—	—	—	DH364NWKW	—
	400	H	—	—	250	350	—	DH365NDKLW ④	—	DH365NPKLW	—	DH365NWKW	—
	600	H	—	—	400	500	—	DH366NDKLW ④	—	DH366NPKLW	—	DH366NWKW	—

③ For 2-pole applications, use outside poles of 3-pole switch.
 ④ NEMA 12 enclosures (30 – 600 amperes) can be field modified to meet NEMA 3R rainproof requirements when a factory provided drain hole is opened.

Note: Effective August 2003, 30 – 100 ampere window switches are replaced by a full view window which allows blade position verification and blown fuse indication. See **Page 8-37** for catalog numbers.

Product Selection

EnviroLine/Receptacle

600 Vac Heavy-Duty, Single
Throw with Receptacle, Fusible,
Non-Fusible

Specifications

- 30 – 100 amperes.
- Power plugs not supplied with the receptacle.
- UL listed File No. E5239.
- For factory modifications, refer to Pages 8-8 through 8-11.



DH362FDK2WR

Safety Switch with Receptacle K-Series, 3-Pole, 600 Volt Fuse Clips

Table 8-64. Fusible

Ampere Rating		Power Plug	NEMA 12/3R Enclosure		NEMA 4X Enclosure	
Switch	Receptacle		Catalog Number	Price U.S. \$	Catalog Number	Price U.S. \$
Crouse-Hinds ARKTITE® Receptacle						
30	30	Accepts Crouse-Hinds® APJ3485 APJ6485 APJ10487	DH361FDK2WR DH362FDK2WR DH363FDK2WR		DH361FWK2WR DH362FWK2WR DH363FWK2WR	
60	60					
100	100					
M-R-S (Russellstoll) MAX-GARD® Receptacle						
30	30	Accepts Russellstoll DS3404MP DS6404MP DS1404MP	DH361FD3WRK DH362FD3WRK DH363FD3WRK		DH361FW3WRK DH362FW3WRK DH363FW3WRK	
60	60					
100	100					
Appleton POWERTITE® Receptacle						
30	30	Accepts Appleton ACP3034BC ACP6034BC ACP1034CD	DH361FD5WRK DH362FD5WRK DH363FD5WRK		DH361FW5WRK DH362FW5WRK DH363FW5WRK	
60	60					
100	100					

Note: Contact the Safety Switch Flex Center (1-888-329-9272) for additional options including viewing windows and other receptacle manufacturers.

Note: Power plugs are not available through Eaton.

Table 8-65. Non-Fusible

Ampere Rating		Power Plug	NEMA 12/3R Enclosure		NEMA 4X Enclosure	
Switch	Receptacle		Catalog Number	Price U.S. \$	Catalog Number	Price U.S. \$
Crouse-Hinds ARKTITE Receptacle						
60	60	Accepts Crouse-Hinds APJ6485	DH362UDK2WR		DH362UWK2WR	
Appleton POWERTITE Receptacle						
30	30	Accepts Appleton ACP3034BC ACP6034BC	DH361UD5WRK DH362UD5WRK		— DH362UW5WRK	
60	60					

Note: Contact the Safety Switch Flex Center (1-888-329-9272) for additional options including viewing windows and other receptacle manufacturers.

Note: Power plugs are not available through Eaton.

Product Selection

**EnviroLine/Non-Metallic/
Halyester**

**240 Vac and 600 Vac Heavy-Duty
Non-Metallic, Non-Fusible**

Specifications

- 30 – 200 amperes.
- Halyester high impact strength fiber-glass reinforced polyester material.

- Horsepower rated.
- Suitable for service entrance use.
- Fusible and non-fusible.
- Opaque or transparent door.
- UL 98.
- UL listed File No. E5239.
- For factory modifications, refer to **Pages 8-8 through 8-11.**



Caption to Come

Table 8-66. Fusible 250 Volt Maximum

System	Ampere Rating	Fuse Class Provision	Maximum Horsepower Ratings					NEMA 4X Enclosure Corrosion-Resistant, Non-Metallic			
			ac		dc		Opaque Cover	Price U.S. \$	Transparent Cover	Price U.S. \$	
			Standard Fuse	Time Delay	Single-Phase	Three-Phase					250 Volt
Single-Phase	Three-Phase	Single-Phase	Three-Phase	250 Volt	Catalog Number	Catalog Number	Catalog Number	Catalog Number			
3-Pole, 240 Vac — 250 Vdc (Suitable for Service Entrance Use with a Neutral Kit Installed)											
	30	H	1-1/2	3	3	7-1/2	5	DH321FHK		DT321FTK	
	60	H	3	7-1/2	10	15	10	DH322FHK		DT322FTK	
	100	H	7-1/2	15	15	30	20	DH323FHK		DT323FTK	
	200	H	15	25	15	60	40	DH324FHK		DT324FTK	
4-Wire (3 Blades, 3 Fuses, S/N), 240 Vac — 250 Vdc											
	30	H	1-1/2	3	3	7-1/2	5	DH321NHK		DT321NTK	
	60	H	3	7-1/2	10	15	10	DH322NHK		DT322NTK	
	100	H	7-1/2	15	15	30	20	DH323NHK		DT323NTK	
	200	H	15	25	15	60	40	DH324NHK		DT324NTK	

Table 8-67. Fusible 600 Volt Maximum

System	Ampere Rating	Fuse Class Provision	Maximum Horsepower Ratings					NEMA 4X Enclosure Corrosion-Resistant, Non-Metallic			
			Single-Phase ac		Three-Phase ac		dc	Opaque Cover	Price U.S. \$	Transparent Cover	Price U.S. \$
			480 Volt	600 Volt	480 Volt	600 Volt					
3-Pole, 240 Vac — 250 Vdc (Suitable for Service Entrance Use with a Neutral Kit Installed)											
	30	H	7-1/2	10	15	20	5	DH361FHK		DT361FTK	
	60	H	20	25	30	50	10	DH362FHK		DT362FTK	
	100	H	30	40	60	75	20	DH363FHK		DT363FTK	
	200	H	50	50	125	150	40	DH364FHK		DT364FTK	
4-Wire (3 Blades, 3 Fuses, S/N), 240 Vac — 250 Vdc											
	30	H	7-1/2	10	15	20	5	DH361NHK		DT361NTK	
	60	H	20	25	30	50	10	DH362NHK		DT362NTK	
	100	H	30	40	60	75	20	DH363NHK		DT363NTK	
	200	H	50	50	125	150	40	DH364NHK		DT364NTK	

Table 8-68. Non-Fusible – 600 Volts

System	Ampere Rating	Maximum Horsepower Ratings							NEMA 4X Enclosure Corrosion-Resistant, Non-Metallic			
		Single-Phase ac			Three-Phase ac			dc	Opaque Cover	Price U.S. \$	Transparent Cover	Price U.S. \$
		240 Volt	480 Volt	600 Volt	240 Volt	480 Volt	600 Volt					
3-Pole, 480 Vac — 600 Vac, 250 Vdc (Suitable for Service Entrance Use with a Neutral Kit Installed)												
	30	3	7-1/2	10	10	20	30	5	DH361UHK		DT361UTK	
	60	10	20	25	20	50	60	10	DH362UHK		DT362UTK	
	100	20	40	50	40	75	100	20	DH363UHK		DT363UTK	
	200	15	50	50	60	125	150	40	DH364UHK		DT364UTK	

Discount Symbol 22CD

Product Selection

EnviroLine/Non-Metallic/KRYDON

240 Vac and 600 Vac Heavy-Duty
Non-Metallic Fusible, Non-Fusible

Specifications

- 30 – 200 amperes.
- KRYDON high impact strength fiberglass reinforced polyester material.
- Horsepower rated.
- Suitable for service entrance use.
- Fusible and non-fusible.
- UL 98.
- UL listed File No. E5239.
- For factory modifications, refer to Pages 8-8 through 8-11.



DH361UCK

Table 8-69. Fusible

System	Ampere Rating	Fuse Class Provision	Maximum Horsepower Ratings						NEMA 4X Enclosure Corrosion-Resistant, Non-Metallic	
			ac				dc		Catalog Number	Price U.S. \$
			Standard Fuse		Time Delay		250 Volt			
Single-Phase	3-Phase	Single-Phase	3-Phase	Single-Phase	3-Phase	250 Volt	600 Volt			

3-Pole, 240 Vac — 250 Vdc (Suitable for Service Entrance Use with a Neutral Kit Installed)

	30	H	1-1/2	3	—	7-1/2	—	—	DH321FCK	
	60	H	3	7-1/2	—	15	—	—	DH322FCK	
	100	H	7-1/2	15	—	30	20	—	DH323FCK	
	200	H	15	25	—	60	40	—	DH324FCK	

4-Wire (3 Blades, 3 Fuses, S/N), 240 Vac — 250 Vdc

	30	H	—	3	—	7-1/2	—	—	DH321NCK	
	60	H	—	7-1/2	—	15	—	—	DH322NCK	
	100	H	—	15	—	30	20	—	DH323NCK	
	200	H	—	25	—	60	—	—	DH324NCK	

Table 8-70. Fusible

System	Ampere Rating	Fuse Class Provision	Maximum Horsepower Ratings with Time Delay Fuses						NEMA 4X Enclosure Corrosion-Resistant, Non-Metallic		
			Single-Phase ac			3-Phase ac		dc		Catalog Number	Price U.S. \$
			480 Volt	600 Volt	600 Volt	480 Volt	600 Volt	250 Volt	600 Volt		

3-Pole, 480 Vac — 600 Vac, 250 Vdc (Suitable for Service Entrance Use with a Neutral Kit Installed)

	30	H	7-1/2	10	15	20	—	—	DH361FCK	
	60	H	20	25	30	50	—	—	DH362FCK	
	100	H	30	30	60	75	—	—	DH363FCK	
	200	H	50	50	125	150	—	—	DH364FCK	

4-Wire (3 Blades, 3 Fuses, S/N), 480 Vac — 600 Vac, 250 Vdc

	30	H	7-1/2	10	15	20	—	—	DH361NCK	
	60	H	20	25	30	50	—	—	DH362NCK	
	100	H	30	30	60	75	—	—	DH363NCK	
	200	H	50	50	125	150	—	—	DH364NCK	

Table 8-71. Non-Fusible 277/480 – 600 Volts

System	Ampere Rating	Maximum Horsepower Ratings with Time Delay Fuses								NEMA 4X Enclosure Corrosion-Resistant, Non-Metallic	
		Single-Phase ac			3-Phase ac			dc		Catalog Number	Price U.S. \$
		240 Volt	480 Volt	600 Volt	240 Volt	480 Volt	600 Volt	250 Volt	600 Volt		

3-Pole, 480 Vac — 600 Vac, 250 Vdc (Suitable for Service Entrance Use with a Neutral Kit Installed)

	30	3	7-1/2	10	10	20	30	5	—	DH361UCK	
	60	10	20	25	20	50	60	10	—	DH362UCK	
	100	20	40	50	40	75	100	20	—	DH363UCK	
	200	15	50	50	60	125	150	40	—	DH364UCK	

Note: 30 amperes heavy-duty switches with Type J fuse provisions are available from the factory only. See Table 8-15 on Page 8-10 for catalog numbers.

Discount Symbol 22CD

NEMA 7/9 — Hazardous Location Disconnect Switch



DS361UX

Specifications

The cast aluminum enclosure is ideally suited for harsh industrial applications including petrochemical facilities, mining operations, pharmaceutical plants and wastewater treatment facilities. The Cutler-Hammer Type DS switch by Eaton Corporation is used as the switching device. Ratings are 30 – 200 amperes, 600 Vac, fusible and non-fusible.

Table 8-72. Compliances

UL Classified — Standard 886 File No. E84577	CSA® Certified — Standard C22.2 File No. LR 42131-6
Class I, Division 1 & 2, Groups B, C and D	Class I, Division 1 & 2, Groups B, C and D
Class II, Division 1 & 2, Groups E, F and G	Class II, Division 1 & 2, Groups E, F and G
Class III, Division 1 & 2	Class III, Division 1 & 2
NEMA 7/9	NEMA 7/9
Zone 1, IIB + H ₂	Zone 1, IIB + H ₂

Table 8-73. NEMA 7/9 Enclosure Sizes

Ampere Rating	Maximum Horsepower Ratings			Type	Fuse Class Provision	Poles	Voltage	Standard Conduit Size in Inches (mm)	Enclosure Number	Catalog Number	Price U.S. \$
	3-Phase ac		dc								
	480 Volt	600 Volt	250 Volt								
30	15	20	5	Fusible	J	3	600 Vac 125/250 Vdc	1.50 (38.1)	1 2 3 4	DS361FX DS362FX DS363FX DS364FX	
60	30	50	10		J			2.00 (50.8)			
100	60	75	20		J			2.50 (63.5)			
200	125	150	40		J			3.00 (76.2)			
30	15	20	5	Non-Fusible	—	3	600 Vac 125/250 Vdc	1.50 (38.1)	1 1 2 4	DS361UX DS362UX DS363UX DS364UX	
60	30	50	10		—			1.50 (38.1)			
100	60	75	20		—			2.00 (50.8)			
200	125	150	40		—			3.00 (76.2)			

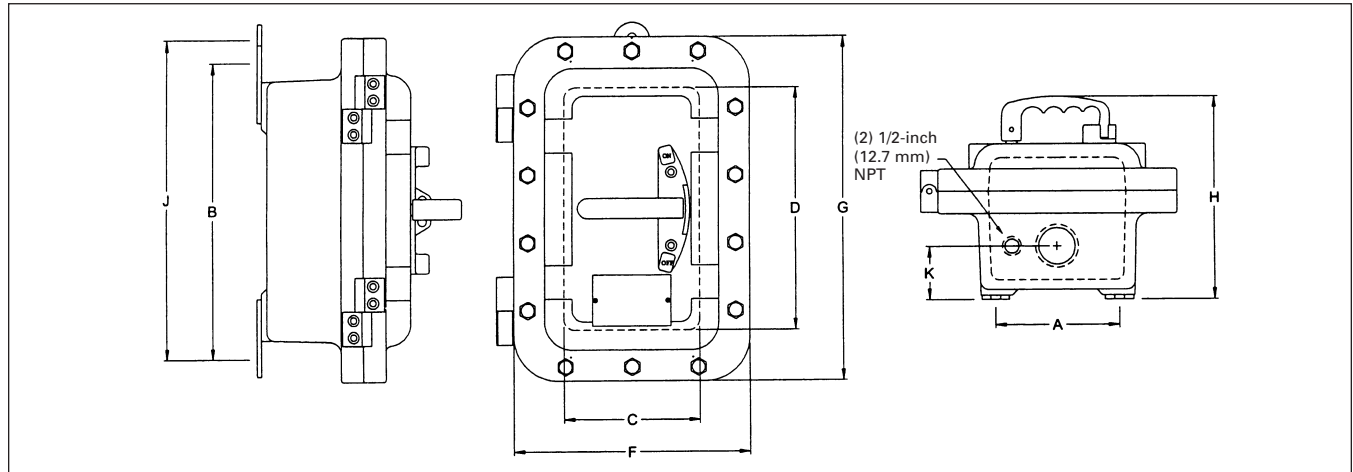


Figure 8-13. NEMA 7/9 — 30 – 200 Amperes

① Dual 3 and 4 point mounting available as standard on enclosures 1 and 2.

Table 8-74. NEMA 7/9 — Dimensions in Inches (mm)

Enclosure Number	Mounting Dimensions			Inside Dimensions		Outside Dimensions			Number of Outlets	K Dimensions	Approximate Weight Lbs. (kg)
	A	B	J	C	D	F	G	H			
1	5.50 (139.7)	13.13 (333.5)	14.13 (358.9)	5.94 (150.9)	10.75 (273.1)	10.63 (270.0)	15.25 (387.4)	8.84 (224.5)	2 (1.5 In. Dia.)	2.00 (50.8)	38 (17)
2	6.00 (152.4)	18.00 (457.2)	19.00 (482.6)	6.50 (165.1)	16.00 (406.4)	11.00 (279.4)	20.50 (520.7)	8.97 (227.8)	2 (1.5 In. Dia.)	2.31 (58.6)	57 (26)
3	10.25 (260.4)	22.63 (574.8)	—	11.75 (298.4)	20.00 (508.0)	16.38 (416.1)	25.13 (638.3)	9.59 (243.6)	2 (1.5 In. Dia.)	3.50 (88.9)	104 (47)
4	8.50 (215.9)	27.13 (689.1)	—	10.75 (273.1)	24.13 (612.9)	16.00 (406.4)	29.50 (749.3)	12.28 (311.9)	2 (1.5 In. Dia.)	4.00 (101.6)	145 (66)

Note: Accessories and modifications shown on **Page 8-5** through **8-11** are NOT applicable to NEMA 7/9 disconnect switches.

Discount Symbol **22CD**

Individual Cable Connector Receptacle Switches

240 Volts, 600 Vac Heavy-Duty, Single Throw with Cam-Lok or Posi-Lok Receptacles, Fusible, Non-Fusible

Specifications

- 30 – 800 amperes.
- UL listed File No. E5239.
- UL listed short circuit rating of 10,000 rms symmetrical amperes.
- NEMA 1 or 3R enclosures.
- Provision for 200% neutral.
- Non-magnetic metal mounting plate.
- Crouse-Hinds "J" Power Series E1015, E1016, E1017 cam connectors.
- Crouse-Hinds E200, E400 Posi-Lok panels.
- Connector plugs are typically not provided but may be special ordered.

Features

Eaton's Individual Cable Connector Receptacle Switches provide a convenient and safe way to quickly connect and disconnect portable equipment. The load side terminals are factory wired to individual receptacles located behind an interlocked door for added safety. The switch cannot be turned to the ON position without first closing the receptacle compartment door.

A spring-loaded flap door in the receptacle compartment allows the cables to exit the compartment, but seals the compartment when the switch is not in use. For outdoor applications, this will reduce the possibility of insects building nests in the receptacle compartment.

An additional flap door on the main compartment allows for quick connection in the event that the appropriate plugs are not readily available.

For price and availability, contact the Switching Device Flex Center at 1-888-329-9272.

Product Selection

**316-Grade Stainless Steel
Safety Switches**

Specifications

Premium 316-Grade stainless steel enclosures are available through the Flex Center. In general, 316-Grade stainless steel offers better corrosion resistance in the presence of most chemicals, salts and acids, and is more resistant to marine atmospheres. Pitting corrosion is also reduced in

environments where brines, halogen salts and chlorides are present. 316-Grade stainless steel is often a desirable choice for waste-water treatment plants and petrochemical facilities.

- Stainless steel enclosure (316-Grade).
- 30 – 1200 amperes.
- Horsepower rated.
- Suitable for service entrance use.
- UL listed File No. E5239.
- For factory modifications, refer to **Pages 8-8 through 8-11.**



DH362NWK316

Table 8-75. Fusible — 316 Grade

System	Ampere Rating	Fuse Type Provision	Maximum Horsepower Ratings				dc 250 V	NEMA 4X Enclosure Corrosion-Resistant, Stainless Steel	
			ac		Time Delay			Catalog Number	Price U.S. \$
			Standard Fuse		Time Delay				
			Single-Phase	3-Phase	Single-Phase	3-Phase			
3-Wire (Two Blades, Two Fuses, S/N) — 240 Vac, 250 Vdc									
	30	H	1-1/2	3 ①	3	7-1/2 ①	5	DH221NWK316	
	60	H	3	7-1/2 ①	10	15 ①	10	DH222NWK316	
	100	H	7-1/2	15 ①	15	30 ①	20	DH223NWK316	
	200	H	15	25 ①	15	60 ①	40	DH224NWK316	
	400	H	—	50 ①	—	125 ①	50	DH225NWK316	
	600	H	—	75 ①	—	200 ①	—	DH226NWK316	
	800	L	—	100 ①	—	—	—	DH227NWK316	
	3-Pole — 240 Vac, 250 Vdc (Suitable for Service Entrance Use with a Neutral Kit Installed)								
	30	H	1-1/2	3	—	7-1/2	—	DH321FWK316	
	60	H	3	7-1/2	—	15	—	DH322FWK316	
	100	H	7-1/2	15	—	30	20	DH323FWK316	②
	200	H	15	25	—	60	40	DH324FWK316	
	400	H	—	50	—	125	50	DH325FWK316	
	600	H	—	75	—	200	—	DH326FWK316	
	800	L	—	100	—	250	—	DH327FWK316	
	1200	L	—	—	—	—	—	DH328FWK316	
4-Wire (Three Blades, Three Fuses, S/N) — 240 Vac, 250 Vdc									
	30	H	—	3	—	7-1/2	—	DH321NWK316	
	60	H	—	7-1/2	—	15	—	DH322NWK316	
	100	H	—	15	—	30	20	DH323NWK316	
	200	H	—	25	—	60	—	DH324NWK316	
	400	H	—	50	—	125	50	DH325NWK316	
	600	H	—	75	—	200	—	DH326NWK316	
	800	L	—	100	—	250	—	DH327NWK316	②
	1200	L	—	—	—	—	—	DH328NWK316	

① Grounded B phase ratings, UL listed.

② Contact the Safety Switch Flex Center (1-888-329-9272) for availability of this product.

Note: Operating mechanism is standard plated steel. For type 304 stainless steel operating mechanism, contact the Safety Switch Flex Center (1-888-329-9272).

Product Selection

Table 8-76. Fusible 277/480 – 600 Volts — 316 Grade

System	Ampere Rating	Fuse Class Provision	Maximum Horsepower Ratings with Time Delay Fuses						NEMA 4X Enclosure Corrosion-Resistant, Stainless Steel			
			Single-Phase ac			3-Phase ac			dc		Catalog Number	Price U.S. \$
			480 Volt	600 Volt		480 Volt	600 Volt		250 Volt	600 Volt		
2-Pole — 480 Vac— 600 Vac or dc ① (Suitable for Service Entrance Use with a Neutral Kit Installed)												
	30	H	7-1/2	10	—	—	—	15	DH261FWK316 ② or ③			
	60	H	20	25	—	—	—	25				
	100	H	30	40	—	—	20					
	200	H	50	50	—	—	—	50	DH264FWK316 ② or ③			
	400	H	—	—	—	—	50	—				
	600	H	—	—	—	—	—	—				
	800	L	—	—	—	—	—	—	② or ③			
1200	L	—	—	—	—	—	—	③				
3-Pole — 480 Vac— 600 Vac, 250 Vdc (Suitable for Service Entrance Use with a Neutral Kit Installed)												
	30	H	7-1/2	10	15	20	—	—	DH361FWK316 DH362FWK316 DH363FWK316			
	60	H	20	25	30	50	—	—				
	100	H	30	40	60	75	—	—				
	200	H	50	50	125	150	—	—	DH364FWK316 DH365FWK316 DH366FWK316			
	400	H	—	—	250	350	—	—				
	600	H	—	—	400	500	—	—				
	800	L	—	—	500	500	—	—	DH367FWK316			
1200	L	—	—	—	—	—	—	DH368FWK316				
4-Wire (Three Blades, 3-Fuses, S/N) 480 Vac— 600 Vac, 250 Vdc												
	30	H	7-1/2	10	15	20	—	—	DH361NWK316 DH362NWK316 DH363NWK316			
	60	H	20	25	30	50	—	—				
	100	H	30	40	60	75	—	—				
	200	H	50	50	125	150	—	—	DH364NWK316 DH365NWK316 DH366NWK316			
	400	H	—	—	250	350	—	—				
	600	H	—	—	400	500	—	—				
	800	L	—	—	500	500	—	—	DH367NWK316			
1200	L	—	—	—	—	—	—	DH368NWK316				

- ① dc rating for 400 – 800 ampere switches is 250 volts.
- ② Use 3-pole catalog numbers below for 600 Vac, 250 Vdc maximum applications. For 600 Vdc, see note ③.
- ③ Contact the Safety Switch Flex Center (1-888-329-9272) for availability of this product.

Table 8-77. Non-Fusible 277/480 – 600 Volts — 316 Grade

System	Ampere Rating	Maximum Horsepower Ratings						NEMA 4X Enclosure Corrosion-Resistant, Stainless Steel			
		Single-Phase ac			3-Phase ac			dc		Catalog Number	Price U.S. \$
		240 Volt	480 Volt	600 Volt	240 Volt	480 Volt	600 Volt	250 Volt	600 Volt		
3-Pole — 480 Vac — 600 Vac, 250 Vdc (Suitable for Service Entrance Use with a Neutral Kit Installed)											
	30	3	7-1/2	10	10	20	30	5	—	DH361UWK316 DH362UWK316 DH363UWK316	
	60	10	20	25	20	50	60	10	—		
	100	20	40	50	40	75	100	20	—		
	200	15	50	50	60	125	150	40	—	DH364UWK316 DH365UWK316 DH366UWK316	
	400	—	—	—	125	250	350	50	—		
	600	—	—	—	200	400	500	—	—		
	800	—	—	—	—	500	500	—	—	DH367UWK316	
1200	—	—	—	—	—	—	—	—	DH368UWK316		
4-Pole — 480 Vac — 600 Vac, 250 Vdc											
	30	10	20	25	10	20	30	5	—	DH461UWK316 ④	
	60	20	40	50	20	50	60	10	—		
	100	40	50	50	40	75	100	20	—		
	200	50	50	50	60	125	150	40	—	④	
	400	50	—	—	125	250	350	—	—		
	600	—	—	—	200	400	500	—	—		
	800	—	—	—	—	—	—	—	—	④	

- ④ Contact the Safety Switch Flex Center (1-888-329-9272) for availability of this product.

Mill-Duty Rated, Heavy-Duty, Fusible, Non-Fusible, Single Throw

**240 Volts, 600 Vac Heavy-Duty,
Fusible, Non-Fusible, Single Throw**

Specifications

- 30 – 600 amperes.
- Horsepower rated.
- Suitable for service entrance use.
- UL listed File No. E5239.
- Factory installed copper ground lug.
- Copper terminal lugs.
- Fuse pullers through 200 amperes.
- For factory modifications, refer to Pages 8-8 through 8-11.



DH361FWK-GCL

Table 8-78. Fusible

System	Ampere Rating	Fuse Class Provision	Maximum Horsepower Ratings with Time Delay Fuses						NEMA 12 Enclosure Industrial, Dust-tight		NEMA 4X Enclosure Corrosion-Resistant, Stainless Steel	
			ac		dc 250 V		dc 600 V		Catalog Number	Price U.S. \$	Catalog Number	Price U.S. \$
			Standard Fuse		Time Delay		1-Phase	3-Phase				
			1-Phase	3-Phase	1-Phase	3-Phase						
3-Pole — 240 Vac, 250 Vdc (Suitable for Service Entrance Use with a Neutral Kit Installed) ①												
	30	H	1-1/2	3	—	7-1/2	—	—	DH321FDK-GCL ②		DH321FWK-GCL	
	60	H	3	7-1/2	—	15	—	—	DH322FDK-GCL ②		DH322FWK-GCL	
	100	H	7-1/2	15	—	30	20	—	DH323FDK-GCL ②		DH323FWK-GCL ③	
	200	H	15	25	—	60	40	—	DH324FDK-GCL ②		DH324FWK-GCL	
	400	H	—	50	—	125	50	—	DH325FDK-GCL ②		DH325FWK-GCL	
	600	H	—	75	—	200	—	—	DH326FDK-GCL ②		DH326FWK-GCL	
2-Pole — 480 Vac — 600 Vac or dc ⑤ (Suitable for Service Entrance Use with a Neutral Kit Installed) ①												
	30	H	7-1/2	10	—	—	—	15	DH261FDK-GCL ②		DH261FWK-GCL	
	60	H	20	25	—	—	—	25	DH262FDK-GCL ②		③ or ④	
	100	H	30	40	—	—	—	25	DH263FDK-GCL ②		③ or ④	
	200	H	50	50	—	—	—	50	DH264FDK-GCL ②		DH264FWK-GCL	
3-Pole — 480 Vac — 600 Vac, 250 Vdc (Suitable for Service Entrance Use with a Neutral Kit Installed) ①												
	30	H	7-1/2	10	15	20	—	—	DH361FDK-GCL ②		DH361FWK-GCL	
	60	H	20	25	30	50	—	—	DH362FDK-GCL ②		DH362FWK-GCL	
	100	H	30	40	60	75	—	—	DH363FDK-GCL ②		DH363FWK-GCL	
	200	H	50	50	125	150	—	—	DH364FDK-GCL ②		DH364FWK-GCL	
	400	H	—	—	250	350	—	—	DH365FDK-GCL ②		DH365FWK-GCL	
	600	H	—	—	400	500	—	—	DH366FDK-GCL ②		DH366FWK-GCL	

① Contact the Safety Switch Flex Center (1-888-329-9272) for copper neutrals.
 ② NEMA 12 enclosures (30 – 600 amperes) can be field modified to meet NEMA 3R rainproof requirements when a factory provided drain hole is opened.
 ③ Contact the Safety Switch Flex Center (1-888-329-9272) for availability of this product.
 ④ Use 3-pole catalog numbers below for 600 Vac, 250 Vdc maximum applications. For 600 Vdc, see note ③.
 ⑤ dc rating for 400 – 600 ampere switches is 250 volts.

Table 8-79. Non-Fusible 277/480 – 600 Volts

System	Ampere Rating	Fuse Class Provision	Maximum Horsepower Ratings						NEMA 12 Enclosure Industrial, Dust-tight		NEMA 4X Enclosure Corrosion-Resistant, Stainless Steel	
			ac		dc 250 Volt		dc 600 Volt		Catalog Number	Price U.S. \$	Catalog Number	Price U.S. \$
			Standard Fuse		Time Delay		1-Phase	3-Phase				
			1-Phase	3-Phase	1-Phase	3-Phase						
3-Pole — 480 Vac — 600 Vac, 250 Vdc ⑥ (Suitable for Service Entrance use with a Neutral Kit Installed) ⑦												
	30	—	7-1/2	10	20	30	5	—	DH361UDK-GCL ⑧		DH361UWK-GCL	
	60	—	20	25	50	60	10	—	DH362UDK-GCL ⑧		DH362UWK-GCL	
	100	—	40	50	75	100	20	—	DH363UDK-GCL ⑧		DH363UWK-GCL	
	200	—	50	50	125	150	40	—	DH364UDK-GCL ⑧		DH364UWK-GCL	
	400	—	—	—	250	350	50	—	DH365UDK-GCL ⑧		DH365UWK-GCL	
	600	—	—	—	400	500	—	—	DH366UDK-GCL ⑧		DH366UWK-GCL	

⑥ For 2-pole applications, use outside poles of 3-pole switch.
 ⑦ Contact the Safety Switch Flex Center (1-888-329-9272) for copper neutrals.
 ⑧ NEMA 12 enclosures (30 – 600 amperes) can be field modified to meet NEMA 3R rainproof requirements when a factory provided drain hole is opened.

Product Selection

Heavy-Duty Fusible Safety Switches Accepting Cube Fuses

600 Vac Heavy-Duty, Fusible, Single Throw

Cube fuses installed in a safety switch provide finger-safe protection, Class J time delay electrical performance with a smaller footprint than Class J or CC fusing, and blown fuse indication.

Specifications

- 30 – 100 amperes.
- Horsepower rated.
- UL listed File No. E5239.
- For factory modifications, refer to Page 8-8 through Page 8-11.



DH361FRKCB

Table 8-80. Fusible 277/480 – 600 Volts

System	Ampere Rating	Fuse Class Provision	Maximum Horsepower Ratings					NEMA 1 Enclosure Indoor		NEMA 3R Enclosure Rainproof		NEMA 12 Enclosure Industrial, Dust-Tight		NEMA 4X Enclosure Corrosion-Resistant, Stainless Steel	
			Single-Phase ac		3-Phase ac		dc	Catalog Number	Price U.S. \$	Catalog Number	Price U.S. \$	Catalog Number	Price U.S. \$	Catalog Number	Price U.S. \$
			480 Volt	600 Volt	480 Volt	600 Volt	250 Volt								
3-Pole — 480 Vac— 600 Vac, 250 Vdc (Suitable for Service Entrance Use with a Neutral Kit Installed)															
	30 60 100	Cube Cube Cube	7-1/2 20 30	10 25 40	15 30 60	20 50 75	— — —	DH361FGKCB DH362FGKCB DH363FGKCB		DH361FRKCB DH362FRKCB DH363FRKCB		DH361FDKCB ① DH362FDKCB ① DH363FDKCB ①		DH361FWKCB DH362FWKCB DH363FWKCB	
4-Wire (Three Blades, 3-Fuses, S/N) 480 Vac — 600 Vac, 250 Vdc															
	30 60 100	Cube Cube Cube	7-1/2 20 30	10 25 40	15 30 60	20 50 75	— — —	DH361NGKCB DH362NGKCB DH363NGKCB		DH361NRKCB DH362NRKCB DH363NRKCB		DH361NDKCB ① DH362NDKCB ① DH363NDKCB ①		DH361NWKCB DH362NWKCB DH363NWKCB	
4-Pole — 480 Vac— 600 Vac, 250 Vdc															
	30 60 100	Cube Cube Cube	20 40 50	25 50 50	15 30 60	20 50 75	— — —	DH461FGKCB DH462FGKCB DH463FGKCB	① ① ①			①② ①② DH463FDKCB ①		② ② ②	

① NEMA 12 enclosures (30 – 100 amperes) can be field modified to meet NEMA 3R rainproof requirements when a factory provided drain hole is opened.
 ② Contact the Safety Switch Flex Center (1-888-329-9272) for availability of this product.

Table 8-81. Fusible with Window 277/480 – 600 Volts

System	Ampere Rating	Fuse Class Provision	Maximum Horsepower Ratings					NEMA 12 Enclosure Industrial, Dust-tight		NEMA 4X Enclosure Corrosion-Resistant, Stainless Steel	
			Single-Phase ac		3-Phase ac		dc	Catalog Number	Price U.S. \$	Catalog Number	Price U.S. \$
			480 Volt	600 Volt	480 Volt	600 Volt	250 V 600 V				
4-Wire (3 Blades, 3 Fuses, S/N), 600 Vac — 250 Vdc ③											
	30 60 100	Cube Cube Cube	7-1/2 20 30	10 25 40	15 30 60	20 50 75	— — —	DH361NDKWCB ③ DH362NDKWCB ③ DH363NDKWCB ③		DH361NWKWCB DH362NWKWCB DH363NWKWCB	

③ NEMA 12 enclosures (30 – 100 amperes) can be field modified to meet NEMA 3R rainproof requirements when a factory provided drain hole is opened.
Note: Fuses are supplied as separate items.

Discount Symbol 22CD

Product Selection

Auxiliary Power Heavy-Duty Safety Switch

Specifications

- 30 – 200 amperes.
- Horsepower rated.
- NEMA 3R outdoor enclosure standard.
- 15 ampere ground fault receptacle standard.
- UL listed File No. E5239.
- For factory modifications, refer to **Pages 8-8** through **Pages 8-11**.

NEC Article 210.63 requires that a 125-volt, single-phase, 15- or 20- ampere-rated receptacle outlet be installed at an accessible location for the servicing of heating, air-conditioning and refrigeration equipment. The receptacle must be located on the same level and within 25 feet (7.5 m) of the heating, air-conditioning and refrigeration equipment. The Cutler-Hammer Heavy-Duty Safety Switch is an ideal solution for these applications, including elimination of the need for running a separate 120-volt circuit to the rooftop.



DH323FRKA1240

Table 8-82. Non-Fusible 208 Vac — 240 Vac — 480 Vac — 600 Vac

Ampere Rating	Maximum Horsepower Ratings						Catalog Number	Price U.S. \$
	Single-Phase ac			3-Phase ac				
	240 Volt	480 Volt	600 Volt	240 Volt	480 Volt	600 Volt		
3-Pole 208 Vac								
30	—	—	—	—	—	—	DH321URKA1208	
60	—	—	—	—	—	—	DH322URKA1208	
100	—	—	—	—	—	—	DH323URKA1208	
200	—	—	—	—	—	—	DH324URKA1208	
3-Pole 240 Vac								
30	3	—	—	10	—	—	DH321URKA1240	
60	10	—	—	20	—	—	DH322URKA1240	
100	20	—	—	40	—	—	DH323URKA1240	
200	15	—	—	60	—	—	DH324URKA1240	
3-Pole 480 Vac								
30	3	7-1/2	10	10	20	30	DH361URKA1480	
60	10	20	25	20	50	60	DH362URKA1480	
100	20	40	50	40	75	100	DH363URKA1480	
200	15	50	50	60	125	150	DH364URKA1480	
3-Pole 600 Vac								
30	3	7-1/2	10	10	20	30	DH361URKA1600	
60	10	20	25	20	50	60	DH362URKA1600	
100	20	40	50	40	75	100	DH363URKA1600	
200	15	50	50	60	125	150	DH364URKA1600	

Table 8-83. Fusible 208 Vac — 240 Vac

Ampere Rating	Fuse Type Provision	Maximum Horsepower Ratings				Catalog Number	Price U.S. \$
		ac					
		Standard Fuse		Time Delay			
Single-Phase	3-Phase	Single-Phase	3-Phase				
3-Pole 208 Vac							
30	H	—	—	—	—	DH321FRKA1208	
60	H	—	—	—	—	DH322FRKA1208	
100	H	—	—	—	—	DH323FRKA1208	
200	H	—	—	—	—	DH324FRKA1208	
3-Pole 240 Vac							
30	H	1-1/2	3	—	7-1/2	DH321FRKA1240	
60	H	3	7-1/2	—	15	DH322FRKA1240	
100	H	7-1/2	15	—	30	DH323FRKA1240	
200	H	15	25	—	60	DH324FRKA1240	

Note: Contact the Safety Switch Flex Center (1-888-329-9272) for additional options, including 20 ampere GFI receptacles.

Product Selection

Table 8-84. Fusible 480 Vac — 600 Vac

Ampere Rating	Fuse Type Provision	Maximum Horsepower Ratings with Time Delay Fuses				Catalog Number	Price U.S. \$
		Single-Phase ac		3-Phase ac			
		480 Volt	600 Volt	480 Volt	600 Volt		
3-Pole 480 Vac							
30	H	7-1/2	10	15	20	DH361FRKA1480	
60	H	20	25	30	50	DH362FRKA1480	
100	H	30	40	60	75	DH363FRKA1480	
200	H	50	50	125	150	DH364FRKA1480	
3-Pole 600 Vac							
30	H	7-1/2	10	15	20	DH361FRKA1600	
60	H	20	25	30	50	DH362FRKA1600	
100	H	30	40	60	75	DH363FRKA1600	
200	H	50	50	125	150	DH364FRKA1600	

Table 8-85. Fusible 208 Vac — 240 Vac

Ampere Rating	Fuse Type Provision	Maximum Horsepower Ratings				Catalog Number	Price U.S. \$
		ac					
		Standard Fuse		Time Delay			
Single-Phase	3-Phase	Single-Phase	3-Phase				
3-Pole 208 Vac							
30	H	—	—	—	—	DH321NRKA1208	
60	H	—	—	—	—	DH322NRKA1208	
100	H	—	—	—	—	DH323NRKA1208	
200	H	—	—	—	—	DH324NRKA1208	
3-Pole 240 Vac							
30	H	1-1/2	3	—	7-1/2	DH321NRKA1240	
60	H	3	7-1/2	—	15	DH322NRKA1240	
100	H	7-1/2	15	—	30	DH323NRKA1240	
200	H	15	25	—	60	DH324NRKA1240	

Table 8-86. Fusible 480 Vac — 600 Vac

Ampere Rating	Fuse Type Provision	Maximum Horsepower Ratings with Time Delay Fuses				Catalog Number	Price U.S. \$
		Single-Phase ac		3-Phase ac			
		480 Volt	600 Volt	480 Volt	600 Volt		
3-Pole 480 Vac							
30	H	7-1/2	10	15	20	DH361NRKA1480	
60	H	20	25	30	50	DH362NRKA1480	
100	H	30	40	60	75	DH363NRKA1480	
200	H	50	50	125	150	DH364NRKA1480	
3-Pole 600 Vac							
30	H	7-1/2	10	15	20	DH361NRKA1600	
60	H	20	25	30	50	DH362NRKA1600	
100	H	30	40	60	75	DH363NRKA1600	
200	H	50	50	125	150	DH364NRKA1600	

Note: Contact the Safety Switch Flex Center (1-888-329-9272) for additional options, including 20 ampere GFI receptacles.

Left-Handed Safety Switch*Left-Handed Safety Switch***Ordering Information**

Step One: Left-handed safety switches are available from 30 – 200 amperes for applications requiring an operating handle on the left side of the enclosure. Select the standard safety switch from the catalog and **add Suffix LH** to the catalog number.

Step Two: Contact the Safety Switch Flex Center for complete pricing and delivery information. The Flex Center will provide a list price. An authorized negotiation (TSP) number will be provided to track your order.

Safety Switch Flex Center
Phone: **1-888-329-9272**
Fax: **1-423-478-0270**

Step Three: Enter the order on VISTA-LINE by description (with catalog number as applicable) and reference the authorized negotiation (TSP) number.

Vista suffix will be "ETS." Product code will be "BE90."

For order entry assistance, contact CSC at:
Phone: **1-800-356-1243**
Fax: **1-800-752-8602**

Note: Left-handed safety switches are supplied with a C361H1 handle.

200% Neutral Safety Switches**Ordering Information**

Step One: Safety switches with 200% neutrals are available from 30 – 600 amperes. Select the standard safety switch from the catalog and **add Suffix 200** to the catalog number.

Step Two: Contact the Safety Switch Flex Center for complete pricing and delivery information. The Flex Center will provide a list price and specifications for the 200% neutral. An authorized negotiation (TSP) number will be provided to track your order.

Safety Switch Flex Center
Phone: **1-888-329-9272**
Fax: **1-423-478-0270**

Step Three: Enter the order on VISTA-LINE by description (with catalog number as applicable) and reference the authorized negotiation (TSP) number.

Vista suffix will be "ETS." Product code will be "BE90."

For order entry assistance, contact CSC at:
Phone: **1-800-356-1243**
Fax: **1-800-752-8602**

Elevator Control Switch



Elevator Control Switch

Table 8-87. Elevator Control Switch Dimensions and Lug Data

Ampere Rating	Dimensions in Inches (H x W x D) ①		Lug Size ③	Catalog Number
	NEMA 1	NEMA 3R, 12 ②		
30	20.00 x 16.00 x 8.63	20.00 x 20.00 x 8.00	#14 – #8 Al or Cu	ES1
60	20.00 x 16.00 x 8.63	20.00 x 20.00 x 8.00	#14 – #2 Al or Cu	ES2
100	20.00 x 16.00 x 8.63	20.00 x 20.00 x 8.00	#8 – 1/0 Al or Cu	ES3
200	30.00 x 20.00 x 8.63	30.00 x 24.00 x 8.00	#6 – 250 kcmil Al or Cu	ES4

① Standard oversize enclosure to mount control power transformer fire safety interface relay and control terminal blocks.

② Contact factory for dimensions for NEMA 4 enclosure.

③ Optional neutral lug size same as line and load.

Table 8-88. Elevator Control Switch Maximum hp Rating — Sizing Based on Motor Type

Voltage Rating (Vac 3-Phase)	Ampere Rating											
	30 A, ES1			60 A, ES2			100 A, ES3			200 A, ES4		
	A	B	C	A	B	C	A	B	C	A	B	C
208	5	5	3	10	10	10	20	15	15	40	40	30
240	5	5	5	10	10	10	20	20	15	50	40	30
280	10	10	10	30	25	20	50	40	30	100	75	75
600	15	15	10	30	30	25	60	50	40	125	100	100

Cross-Reference

General-Duty Safety Switches

Table 8-89. General-Duty

Ampere Rating	Catalog Number			
	Cutler-Hammer	General Electric®	Siemens®	Square D®
Plug Fuse, 1-Pole, 2-Wire, 120 Vac, NEMA 1				
30	DP111NGB	TPF130	LF111N	D211N
Plug Fuse, 2-Pole, 3-Wire, 240 Vac, NEMA 1				
30	DP221NGB	TPF230	LF211N	D211N
Fusible, 2-Pole, 3-Wire, 240 Vac, NEMA 1				
30	DG221NGB	TG3221	GF221N	D221N
60	DG222NGB	TG3222	GF222N	D222N
100	DG223NGB	TG3223	GF223N	D223N
200	DG224NGK	TG3224	GF224N	D224N
400	DG225NGK	TG3225	GF225N	D225N
600	DG226NGK	TG3226	GF226N	D226N
Fusible, 3-Pole, 3-Wire, 240 Vac, NEMA 1				
30	DG321NGB	TG4321	GF321N	D321N
60	DG322NGB	TG4322	GF322N	D322N
100	DG323NGB	TG4323	GF323N	D323N
200	DG324NGK	TG4324	GF324N	D324N
400	DG325FGK	TG3325	GF325N	D325N
600	DG326FGK	TG3326	GF326N	D326N
Fusible, 3-Pole, 4-Wire, 240 Vac, NEMA 1				
30	DG321NGB	TG4321	GF321N	D321N
60	DG322NGB	TG4322	GF322N	D322N
100	DG323NGB	TG4323	GF323N	D323N
200	DG324NGK	TG4324	GF324N	D324N
400	DG325NGK	TG4325	GF325N	D325N
600	DG326NGK	TG4326	GF326N	D326N
Non-Fusible, 2-Pole, 2-Wire, 240 Vac, NEMA 1				
30	DG221UGB	TGN3321	N/A	N/A
60	DG222UGB	TGN3322	N/A	QO260NATS
100	DG223UGB	TGN3323	N/A	QO2000NS
200	DG324UGK	TGN3324	N/A	DU324
400	DG325UGK	TGN3325	N/A	DU325
600	DG326UGK	TGN3326	N/A	DU326
Non-Fusible, 3-Pole, 3-Wire, 240 Vac, NEMA 1				
30	DG321UGB	TGN3321	GNF321	DU321
60	DG322UGB	TGN3322	GNF322	DU322
100	DG323UGB	TGN3323	GNF323	DU323
200	DG324UGK	TGN3324	GNF324	DU324
400	DG325UGK	TGN3325	GNF325	DU325
600	DG326UGK	TGN3326	GNF326	DU326

Note: Always verify the number of poles and wires required since catalog numbers may appear in multiple tables.

General-Duty (Continued)

Ampere Rating	Catalog Number			
	Cutler-Hammer	General Electric	Siemens	Square D
Fusible, 2-Pole, 3-Wire, 240 Vac, NEMA 3R				
30	DG221NRB	TG3221R	GF221NR	D221NRB
60	DG222NRB	TG3222R	GF222NR	D222NRB
100	DG223NRB	TG3223R	GF223NR	D223NRB
200	DG224NRK	TG3224R	GF224NR	D224NRB
400	DG225NRK	TG3225R	GF225NR	D225NR
600	DG226NRK	TG3226R	GF226NR	D226NR
Fusible, 3-Pole, 3-Wire, 240 Vac, NEMA 3R				
30	DG321NRB	TG4321R	GF321NR	D321NRB
60	DG322NRB	TG4322R	GF322NR	D322NRB
100	DG323NRB	TG4323R	GF323NR	D323NRB
200	DG324NRK	TG4324R	GF324NR	D324NRB
400	DG325FRK	TG3325R	GF325NR	D325NR
600	DG326FRK	TG3326R	GF326NR	D326NR
Fusible, 3-Pole, 4-Wire, 240 Vac, NEMA 3R				
30	DG321NRB	TG4321R	GF321NR	D321NRB
60	DG322NRB	TG4322R	GF322NR	D322NRB
100	DG323NRB	TG4323R	GF323NR	D323NRB
200	DG324NRK	TG4324R	GF324NR	D324NRB
400	DG325NRK	TG3325R ①	GF325NR	D325NR
600	DG326NRK	TG3326R ①	GF326NR	D326NR
Non-Fusible, 2-Pole, 2-Wire, 240 Vac, NEMA 3R				
30	DG221URB	TGN3321R	GNF321R	DU221RB
60	DG222URB	TGN3322R	GNF322R	DU222RB
100	DG223URB	TGN3323R	GNF323R	QO2000NRB
200	DG324URK	TGN3324R	GNF324R	DU324RB
Non-Fusible, 3-Pole, 3-Wire, 240 Vac, NEMA 3R				
30	DG321URB	TGN3321R	GNF321R	DU321RB
60	DG322URB	TGN3322R	GNF322R	DU322RB
100	DG323URB	TGN3323R	GNF323R	DU323RB
200	DG324URK	TGN3324R	GNF324R	DU324RB
400	DG325URK	N/A	N/A	N/A
600	DG326URK	N/A	N/A	N/A

① Separate neutral kit required.

Note: Always verify the number of poles and wires required since catalog numbers may appear in multiple tables.

Cross-Reference

Heavy-Duty Safety Switches

Table 8-90. Heavy-Duty

Ampere Rating	Catalog Number			
	Cutler-Hammer	General Electric	Siemens	Square D

Fusible, 2-Pole, 2-Wire, 240 Vac, NEMA 1

30	DH221FGK	TH3221	N/A	H221N
60	DH222NGK	TH3222	N/A	H222N
100	DH223NGK	TH3223	N/A	H223N
200	DH224NGK	TH3224	N/A	H224N
400	DH225FGK	TH3225	N/A	H225
600	DH226FGK	TH3226	N/A	H226
800	DH227FGK	TC72267	N/A	H227
1200	DH328FGK	TC72268	N/A	H228

Fusible, 2-Pole, 3-Wire, 240 Vac, NEMA 1

30	DH221NGK	TH3221	HF221N	H221N
60	DH222NGK	TH3222	HF222N	H222N
100	DH223NGK	TH3223	HF223N	H223N
200	DH224NGK	TH3224	HF224N	H224N
400	DH225NGK	TH3225	HF225N	H225N
600	DH226NGK	TH3226	HF226N	H226N
800	DH227NGK	TC72267 ^①	HF227N	H227N
1200	DH328NGK	TC72268 ^①	HF228N	H228N

Fusible, 3-Pole, 3-Wire, 240 Vac, NEMA 1

30	DH321FGK	TH4321	N/A	H321N
60	DH322FGK	TH4322	N/A	H322N
100	DH323FGK	TH4323	N/A	H323N
200	DH324FGK	TH4324	N/A	H324N
400	DH325FGK	TH3325	N/A	H325
600	DH326FGK	TH3326	N/A	H326
800	DH327FGK	TC72367	N/A	H327
1200	DH328FGK	TC72368	N/A	H328

Fusible, 3-Pole, 4-Wire, 240 Vac, NEMA 1

30	DH321NGK	TH4321	HF321N	H321N
60	DH322NGK	TH4322	HF322N	H322N
100	DH323NGK	TH4323	HF323N	H323N
200	DH324NGK	TH4324	HF324N	H324N
400	DH325NGK	TH4325	HF325N	H325N
600	DH326NGK	TH4326	HF326N	H326N
800	DH327NGK	TC72367 ^①	HF327N	H327N
1200	DH328NGK	TC72368 ^①	HF328N	H328N

Fusible, 4-Pole, 4-Wire, 240 Vac, NEMA 1

30	DH421FGK	N/A	F421	H461 ^②
60	DH422FGK	N/A	F422	H462 ^②
100	DH423FGK	N/A	F423	H463 ^②
200	DH424FGK	N/A	F424	H464 ^②
400	DH425FGK	N/A	F425	H465 ^②
600	DH426FGK	N/A	F426	H466 ^②

Non-Fusible, 3-Pole, 3-Wire, 240 Volt/600 Vac, NEMA 1

30	DH361UGK	THN3361	HNF361	HU361
60	DH362UGK	THN3362	HNF362	HU362
100	DH363UGK	THN3363	HNF363	HU363
200	DH364UGK	THN3364	HNF364	HU364
400	DH365UGK	THN3365	HNF365	HU365
600	DH366UGK	THN3366	HNF366	HU366
800	DH367UGK	TC36367	HNF367	HU367
1200	DH368UGK	TC36368	HNF368	HU368

Fusible, 2-Pole, 2-Wire, 240 Vac, NEMA 3R

30	DH221NRK	TH3221R	N/A	H221NRB
60	DH222NRK	TH3222R	N/A	H222NRB
100	DH223NRK	TH3223R	N/A	H223NRB
200	DH224NRK	TH3224R	N/A	H224NRB
400	DH225FRK	TH3225R	N/A	H225NR
600	DH226FRK	TH3226R	N/A	H226NR
800	DH227NRK	TC72267R	N/A	H227NR
1200	DH328FRK	TC72268R	N/A	H228NR

^① Separate neutral kit required.^② 600 volt switch.**Note:** Always verify the number of poles and wires required since catalog numbers may appear in multiple tables.

Heavy-Duty (Continued)

Ampere Rating	Catalog Number			
	Cutler-Hammer	General Electric	Siemens	Square D

Fusible, 2-Pole, 3-Wire, 240 Vac, NEMA 3R

30	DH221NRK	TH3221R	HF221NR	H221NRB
60	DH222NRK	TH3222R	HF222NR	H222NRB
100	DH223NRK	TH3223R	HF223NR	H223NRB
200	DH224NRK	TH3224R	HF224NR	H224NRB
400	DH225NRK	TH3225R	HF225NR	H225NR
600	DH226NRK	TH3226R	HF226NR	H226NR
800	DH227NRK	TC72267R ^③	HF227NR	H227NR
1200	DH328NRK	TC72268R ^③	HF228NR	H228NR

Fusible, 3-Pole, 3-Wire, 240 Vac, NEMA 3R

30	DH321FRK	TH4321R	N/A	H321NRB
60	DH322FRK	TH4322R	N/A	H322NRB
100	DH323FRK	TH4323R	N/A	H323NRB
200	DH324FRK	TH4324R	N/A	H324NRB
400	DH325FRK	TH3325R	N/A	H325NR
600	DH326FRK	TH3326R	N/A	H326NR
800	DH327FRK	TC72367R	N/A	H327NR
1200	DH328FRK	TC72368R	N/A	H328NR

Fusible, 3-Pole, 4-Wire, 240 Vac, NEMA 3R

30	DH321NRK	TH4321R	HF321NR	H321NRB
60	DH322NRK	TH4322R	HF322NR	H322NRB
100	DH323NRK	TH4323R	HF323NR	H323NRB
200	DH324NRK	TH4324R	HF324NR	H324NRB
400	DH325NRK	TH3325R ^③	HF325NR	H325NR
600	DH326NRK	TH3326R ^③	HF326NR	H326NR
800	DH327NRK	TC72367R ^③	HF327NR	H327NR
1200	DH328NRK	TC72368R ^③	HF328NR	H328NR

Non-Fusible, 3-Pole, 3-Wire, 240 Volt/600 Vac, NEMA 3R

30	DH361URK	THN3361R	HNF361R	HU361RB
60	DH362URK	THN3362R	HNF362R	HU362RB
100	DH363URK	THN3363R	HNF363R	HU363RB
200	DH364URK	THN3364R	HNF364R	HU364RB
400	DH365URK	THN3365R	HNF365R	HU365R
600	DH366URK	THN3366R	HNF366R	HU366R
800	DH367URK	N/A	HNF367R	HU367R
1200	DH368URK	N/A	HNF368R	HU368R

Fusible, 2-Pole, 2-Wire, 240 Vac, NEMA 4/4X

30	DH221NWK	TH2221SS	HF221S	H221DS
60	DH222NWK	TH2222SS	HF222S	H222DS
100	DH223NWK	TH2223SS	HF223S	H223DS
200	DH224NWK	TH2224SS	HF224S	H224DS
400	DH225FWK	TH2225SS	HF225S	H225DS
600	DH226FWK	TH2226SS	HF226S	H226DS

Fusible, 2-Pole, 3-Wire 240 Vac, NEMA 4/4X

30	DH221NWK	TH3221SS	HF321S ^④	H221DS ^④
60	DH222NWK	TH3222SS	HF322S ^④	H222DS ^④
100	DH223NWK	TH3223SS	HF323S ^④	H223DS ^④
200	DH224NWK	TH3224SS	HF324S ^④	H224DS ^④
400	DH225NWK	TH3225SS	HF325S ^④	H225NDS
600	DH226NWK	TH3226SS	HF326S ^④	H226NDS
800	DH227NWK	N/A	HF327S ^④	N/A

Fusible, 3-Pole, 3-Wire, 240 Vac, NEMA 4/4X

30	DH321FWK	TH3321SS	HF321S	H321DS
60	DH322FWK	TH3322SS	HF322S	H322DS
100	DH323NWK	TH4323SS	HF323S	H323DS
200	DH324NWK	TH4324SS	HF324S	H324DS
400	DH325FWK	TH4325SS	HF325S	H325DS
600	DH326FWK	TH4326SS	HF326S	H326DS
800	DH327FWK	N/A	HF327S	N/A

Fusible, 3-Pole, 4-Wire, 240 Vac, NEMA 4/4X

30	DH321NWK	TH4321SS	HF321S ^④	H321DS ^④
60	DH322NWK	TH4322SS	HF322S ^④	H322DS ^④
100	DH323NWK	TH4323SS	HF323S ^④	H323DS ^④
200	DH324NWK	TH4324SS	HF324S ^④	H324DS ^④
400	DH325NWK	TH4325SS	HF325S ^④	H325NDS
600	DH326NWK	TH4326SS	HF326S ^④	H326NDS

^③ Separate neutral kit required.

Cross-Reference

Table 8-90. Heavy-Duty (Continued)

Ampere Rating	Catalog Number			
	Cutler-Hammer	General Electric	Siemens	Square D

Fusible, 2-Pole, 2-Wire, 240 Vac, NEMA 12

30	DH221NDK	TH2221J	HF221J	H221AWK
60	DH222NDK	TH2222J	HF222J	H222AWK
100	DH223NDK	TH3223J	HF223J	H223AWK
200	DH224NDK	TH3224J	HF224J	H224AWK
400	DH225FDK	TH3225J	HF325J	H225AWK
600	DH226FDK	TH3226J	HF326J	H226AWK
800	DH227FDK	N/A	HF327J	H227AWK
1200	N/A	N/A	N/A	H228AWK

Fusible, 2-Pole, 3-Wire, 240 Vac, NEMA 12

30	DH221NDK	TH3221J	HF221J ①	H221AWK
60	DH222NDK	TH3222J	HF222J ①	H222AWK
100	DH223NDK	TH3223J	HF223J ①	H223AWK
200	DH224NDK	TH3224J	HF224J ①	H224AWK
400	DH225NDK	TH3225J	HF325J ①	H225NAWK
600	DH226NDK	TH3226J	HF326J ①	H226NAWK
800	DH227NDK	N/A	HF327J ①	H227NAW
1200	N/A	N/A	N/A	H228NAWK

Fusible, 3-Pole, 3-Wire, 240 Vac, NEMA 12

30	DH321FDK	TH3321J	HF321J	H321AWK
60	DH322FDK	TH3322J	HF322J	H322AWK
100	DH323FDK	TH4323J	HF323J	H323AWK
200	DH324FDK	TH4324J	HF324J	H324AWK
400	DH325FDK	TH4325J	HF325J	H325AWK
600	DH326FDK	TH4326J	HF326J	H326AWK
800	DH327FDK	N/A	HF327J	H327AWK
1200	N/A	N/A	N/A	H328AWK

Fusible, 3-Pole, 4-Wire, 240 Vac, NEMA 12

30	DH321NDK	TH4321J	HF321J ①	H321AWK ①
60	DH322NDK	TH4322J	HF322J ①	H322AWK ①
100	DH323NDK	TH4323J	HF323J ①	H323AWK ①
200	DH324NDK	TH4324J	HF324J ①	H324AWK ①
400	DH325NDK	TH4325J	HF325J ①	H325NAWK
600	DH326NDK	TH4326J	HF326J ①	H326NAWK
800	N/A	N/A	HF327J ①	H327NAWK
1200	N/A	N/A	N/A	H328NAWK

Fusible, 4-Pole, 4-Wire, 240 Vac, NEMA 12

30	DH421FDK	N/A	N/A	N/A
60	DH422FDK	N/A	N/A	N/A
100	DH423FDK	N/A	N/A	N/A
200	DH424FDK	N/A	N/A	N/A

Fusible, 2-Pole, 2-Wire, 600 Vac, NEMA 1

30	DH261FGK	TH2261DC	HF261	H361
60	DH262FGK	TH2262DC	HF262	H362
100	DH263FGK	TH2263DC	HF263	H363
200	DH264FGK	N/A	N/A	H364
400	DH265FGK	N/A	HF265	H265
600	DH266FGK	N/A	HF266	H266
800	DH267FGK	N/A	N/A	H267
1200	N/A	N/A	N/A	H268

Fusible, 3-Pole, 3-Wire, 600 Vac, NEMA 1

30	DH361FGK	TH3361	HF361	H361
60	DH362FGK	TH3362	HF362	H362
100	DH363FGK	TH3363	HF363	H363
200	DH364FGK	TH3364	HF364	H364
400	DH365FGK	TH3365	HF365	H365
600	DH366FGK	TH3366	HF366	H366
800	DH367FGK	TC72367	HF367	H367
1200	DH368FGK	TC72368	HF368	H368

① Separate neutral kit required.

Note: Always verify the number of poles and wires required since catalog numbers may appear in multiple tables.

Heavy-Duty (Continued)

Ampere Rating	Catalog Number			
	Cutler-Hammer	General Electric	Siemens	Square D

Fusible, 3-Pole, 4-Wire, 600 Vac, NEMA 1

30	DH361NGK	TH3361 ②	HF361N	H361N
60	DH362NGK	TH3362 ②	HF362N	H362N
100	DH363NGK	TH3363 ②	HF363N	H363N
200	DH364NGK	TH3364 ②	HF364N	H364N
400	DH365NGK	TH3365 ②	HF365N	H365N
600	DH366NGK	TH3366 ②	HF366N	H366N
800	DH367NGK	TC72367 ②	HF367N	H367N
1200	DH368NGK	TC72368 ②	HF368 ②	H368N

Fusible, 4-Pole, 4-Wire, 600 Vac, NEMA 1

30	DH461FGK	TH6661	N/A	H461
60	DH462FGK	TH6662	N/A	H462
100	DH463FGK	TH6663	N/A	H463
200	DH464FGK	TH6664	N/A	H464
400	DH465FGK	N/A	N/A	H465
600	DH466FGK	N/A	N/A	H466

Non-Fusible, 2-Pole, 2-Wire, 600 Vac, NEMA 1

30	DH261UGK	THN2261DC	HNF261	HU361
60	DH362UGK	THN2262DC	HNF262	HU362
100	DH263UGK	THN2263DC	HNF263	HU363
200	DH364UGK	N/A	N/A	HU364
400	DH265UGK	N/A	HNF265	HU265
600	DH266UGK	N/A	HNF266	HU266
800	DH267UGK	N/A	N/A	HU267
1200	N/A	N/A	N/A	HU268

Non-Fusible, 4-Pole, 4-Wire, 600 Vac, NEMA 1

30	DH461UGK	THN6661	N/A	HU461
60	DH462UGK	THN6662	N/A	HU462
100	DH463UGK	THN6663	N/A	HU463
200	DH464UGK	THN6664	N/A	HU464
400	DH465UGK	N/A	N/A	HU465
600	DH466UGK	N/A	N/A	HU466

Fusible, 2-Pole, 2-Wire, 600 Vac, NEMA 3R

30	DH361FRK	TH2261RDC	HF261R	H361RB
60	DH362FRK	TH2262RDC	HF262R	H362RB
100	DH363FRK	TH2263RDC	HF263R	H363RB
200	DH364FRK	N/A	N/A	H364RB
400	DH365FRK	N/A	N/A	H265R
600	DH366FRK	N/A	HF265R	H266R
800	DH367FRK	N/A	HF266R	H267R
1200	DH368FRK	N/A	N/A	H268R

Fusible, 3-Pole, 3-Wire, 600 Vac, NEMA 3R

30	DH361FRK	TH3361R	HF361R	H361RB
60	DH362FRK	TH3362R	HF362R	H362RB
100	DH363FRK	TH3363R	HF363R	H363RB
200	DH364FRK	TH3364R	HF364R	H364RB
400	DH365FRK	TH3365R	HF365R	H365R
600	DH366FRK	TH3366R	HF366R	H366R
800	DH367FRK	TC72367R	HF367R	H367R
1200	DH368FRK	TC72368R	HF368R	H368R

Fusible, 3-Pole, 4-Wire, 600 Vac, NEMA 3R

30	DH361NRK	TH3361R ②	HF361NR	H361NRB
60	DH362NRK	TH3362R ②	HF362NR	H362NRB
100	DH363NRK	TH3363R ②	HF363NR	H363NRB
200	DH364NRK	TH3364R ②	HF364NR	H364NRB
400	DH365NRK	TH3365R ②	HF365NR	H365NR
600	DH366NRK	TH3366R ②	HF366NR	H366NR
800	DH367NRK	TC72367R ②	HF367NR	H367NR
1200	DH368NRK	TC72368R ②	HF368R	H368NR

② Separate neutral kit required.

Note: Always verify the number of poles and wires required since catalog numbers may appear in multiple tables.

Cross-Reference

Table 8-90. Heavy-Duty (Continued)

Ampere Rating	Catalog Number			
	Cutler-Hammer	General Electric	Siemens	Square D
Non-Fusible, 2-Pole, 2-Wire, 600 Vac, NEMA 3R				
30	DH361URK	THN2261RDC	HNF261R	HU361RB
60	DH362URK	THN2262RDC	HNF262R	HU362RB
100	DH363URK	THN2263RDC	HNF263R	HU363RB
200	DH364URK	N/A	N/A	HU364RB
400	DH365URK	N/A	HNF265R	HU265R
600	DH366URK	N/A	HNF266R	HU266R
800	DH367URK	N/A	N/A	HU267R
1200	DH368URK	N/A	N/A	HU268R

Non-Fusible, 4-Pole, 4-Wire, 600 Vac, NEMA 3R

30	DH461UDK	THN6661	N/A	N/A
60	DH462UDK	THN6662	N/A	N/A
100	DH463UDK	THN6663	N/A	N/A
200	DH464UDK	THN6664	N/A	N/A

Fusible, 2-Pole, 2-Wire, 600 Vac, NEMA 4/4X Stainless Steel

30	DH261FWK	TH2261SSDC	HF261S	H361DS
60	DH362FWK	TH2262SSDC	HF262S	H362DS
100	DH363FWK	TH2263SSDC	HF263S	H363DS
200	DH264FWK	N/A	N/A	H364DS
400	DH365FWK	N/A	HF265S	H265DS
600	DH366FWK	N/A	HF266S	H266DS
800	DH367FWK	N/A	N/A	N/A

Fusible, 3-Pole, 3-Wire, 600 Vac, NEMA 4/4X Stainless Steel

30	DH361FWK	TH3361SS	HF361S	H361DS
60	DH362FWK	TH3362SS	HF362S	H362DS
100	DH363FWK	TH3363SS	HF363S	H363DS
200	DH364FWK	TH3364SS	HF364S	H364DS
400	DH365FWK	TH3365SS	HF365S	H365DS
600	DH366FWK	TH3366SS	HF366S	H366DS
800	DH367FWK	N/A	HF367S	N/A

Fusible, 3-Pole, 4-Wire, 600 Vac, NEMA 4/4X Stainless Steel

30	DH361NWK	TH3361SS ①	HF361S ①	H361DS ①
60	DH362NWK	TH3362SS ①	HF362S ①	H362DS ①
100	DH363NWK	TH3363SS ①	HF363S ①	H363DS ①
200	DH364NWK	TH3364SS ①	HF364S ①	H364NDS
400	DH365NWK	TH3365SS ①	HF365S ①	H365NDS
600	DH366NWK	TH3366SS ①	HF366S ①	H366NDS

Non-Fusible, 2-Pole, 2-Wire, 600 Vac, NEMA 4/4X Stainless Steel

30	DH361UWK	THN2261SSDC	HNF261S	HU361DS
60	DH362UWK	THN2262SSDC	HNF262S	HU362DS
100	DH363UWK	THN2263SSDC	HNF263S	HU363DS
200	DH364UWK	N/A	N/A	HU364DS
400	DH365UWK	N/A	HNF265S	HU265DS
600	DH366UWK	N/A	HNF266S	HU266DS
800	DH367UWK	N/A	N/A	N/A

Non-Fusible, 3-Pole, 3-Wire, 600 Vac, NEMA 4/4X Stainless Steel

30	DH361UWK	THN3361SS	HNF361S	HU361DS
60	DH362UWK	THN3362SS	HNF362S	HU362DS
100	DH363UWK	THN3363SS	HNF363S	HU363DS
200	DH364UWK	THN3364SS	HNF364S	HU364DS
400	DH365UWK	THN3365SS	HNF365S	HU365DS
600	DH366UWK	THN3366SS	HNF366S	HU366DS
800	DH367UWK	N/A	HNF367S	N/A

Non-Fusible, 4-Pole, 4-Wire, 600 Vac, NEMA 4/4X Stainless Steel

30	DH461UWK	N/A	N/A	HU461DS
60	N/A	N/A	N/A	HU462DS
100	N/A	N/A	N/A	HU463DS
200	N/A	N/A	N/A	HU464DS

① Separate neutral kit required.

Note: Always verify the number of poles and wires required since catalog numbers may appear in multiple tables.

Heavy-Duty (Continued)

Ampere Rating	Catalog Number			
	Cutler-Hammer	General Electric	Siemens	Square D
Fusible, 2-Pole, 2-Wire, 600 Vac, NEMA 12				
30	DH261FDK	TH2261JDC	HF261J	H361AWK
60	DH262FDK	TH2262JDC	HF262J	H362AWK
100	DH263FDK	TH2263JDC	HF263J	H363AWK
200	DH264FDK	N/A	N/A	H364AWK
400	DH265FDK	N/A	HF265J	H265AWK
600	DH266FDK	N/A	HF266J	H266AWK
800	DH267FDK	N/A	N/A	H267AWK
1200	N/A	N/A	N/A	H268AWK

Fusible, 3-Pole, 3-Wire, 600 Vac, NEMA 12

30	DH361FDK	TH3361J	HF361J	H361AWK
60	DH362FDK	TH3362J	HF362J	H362AWK
100	DH363FDK	TH3363J	HF363J	H363AWK
200	DH364FDK	TH3364J	HF364J	H364AWK
400	DH365FDK	TH3365J	HF365J	H365AWK
600	DH366FDK	TH3366J	HF366J	H366AWK
800	DH367FDK	N/A	HF367J	H367AWK
1200	N/A	N/A	N/A	H368AWK

Fusible, 3-Pole, 4-Wire, 600 Vac, NEMA 12

30	DH361NDK	THN3361J ②	HF361J ②	H361AWK ②
60	DH362NDK	THN3362J ②	HF362J ②	H362AWK ②
100	DH363NDK	THN3363J ②	HF363J ②	H363AWK ②
200	DH364NDK	THN3364J ②	HF364J ②	H364NAWK
400	DH365NDK	THN3365J ②	HF365J ②	H365NAWK
600	DH366NDK	THN3366J ②	HF366J ②	H366NAWK
800	DH367NDK	N/A	HF367J ②	H367NAWK
1200	N/A	N/A	N/A	H368NAWK

Fusible, 4-Pole, 4-Wire, 600 Vac, NEMA 12

30	N/A	TH6661	N/A	H461AWK
60	N/A	TH6662	N/A	H462AWK
100	DH463FDK	TH6663	N/A	H463AWK
200	DH464FDK	TH6664	N/A	H464AWK
400	N/A	N/A	N/A	H465AWK

Non-Fusible, 2-Pole, 2-Wire, 600 Vac, NEMA 12

30	DH261UDK	THN2261JDC	HNF261J	HU361AWK
60	DH262UDK	THN2262JDC	HNF262J	HU362AWK
100	DH263UDK	THN2263JDC	HNF263J	HU363AWK
200	DH264UDK	N/A	N/A	HU364AWK
400	DH265UDK	N/A	HNF265J	HU265AWK
600	DH266UDK	N/A	HNF266J	HU266AWK
800	DH267UDK	N/A	N/A	HU267AWK
1200	N/A	N/A	N/A	HU268AWK

Non-Fusible, 3-Pole, 3-Wire, 600 Vac, NEMA 12

30	DH361UDK	THN3361J	HNF361J	HU361AWK
60	DH362UDK	THN3362J	HNF362J	HU362AWK
100	DH363UDK	THN3363J	HNF363J	HU363AWK
200	DH364UDK	THN3364J	HNF364J	HU364AWK
400	DH365UDK	THN3365J	HNF365J	HU365AWK
600	DH366UDK	THN3366J	HNF366J	HU366AWK
800	DH367UDK	N/A	HNF367J	HU367AWK
1200	N/A	N/A	N/A	HU368AWK

Non-Fusible, 4-Pole, 4-Wire, 600 Vac, NEMA 12

30	DH461UDK	THN6661	N/A	HU461AWK
60	DH462UDK	THN6662	N/A	HU462AWK
100	DH463UDK	THN6663	N/A	HU463AWK
200	DH464UDK	THN6664	N/A	HU464AWK
400	N/A	N/A	N/A	HU465AWK

② Separate neutral kit required.

Note: Always verify the number of poles and wires required since catalog numbers may appear in multiple tables.

Motor Circuit Switches

Table 8-91. Heavy-Duty 6-Pole

Ampere Rating	Catalog Number			
	Cutler-Hammer	General Electric	Siemens	Square D
Fusible, 6-Pole, 6-Wire, 600 Vac, NEMA 3R				
30	DH661FDK	TH6661	F651H	N/A
60	DH662FDK	TH6662	F652H	N/A
100	DH663FDK	TH6663	F653H	N/A
200	DH664FDK	TH6664	N/A	N/A
Fusible, 6-Pole, 6-Wire, 600 Vac, NEMA 12				
30	DH661FDK	TH6661	F651H	N/A
60	DH662FDK	TH6662	F652H	N/A
100	DH663FDK	TH6663	F653H	H663AWK
200	DH664FDK	TH6664	N/A	H664RWK
Fusible, 6-Pole, 6-Wire, 600 Vac, NEMA 4X				
30	N/A	N/A	F651SS	N/A
60	N/A	N/A	F652SS	N/A
100	N/A	N/A	F653SS	H663DS
200	N/A	N/A	N/A	H664DS
Non-Fusible, 6-Pole, 6-Wire, 600 Vac, NEMA 3R				
30	DH661UDK	THN6661	NF651H	N/A
60	DH662UDK	THN6662	NF652H	N/A
100	DH663UDK	THN6663	NF653H	N/A
200	DH664UDK	THN6664	N/A	N/A
Non-Fusible, 6-Pole, 6-Wire, 600 Vac, NEMA 12				
30	DH661UDK	THN6661	NF651H	HU661AWK
60	DH662UDK	THN6662	NF652H	HU662AWK
100	DH663UDK	THN6663	NF653H	HU663AWK
200	DH664UDK	THN6664	N/A	HU664RWK
Non-Fusible, 6-Pole, 6-Wire, 600 Vac, NEMA 4X				
30	DH661UWK	N/A	NF651SS	HU661DS
60	DH662UWK	N/A	NF652SS	HU662DS
100	DH663UWK	N/A	NF653SS	HU663DS
200	DH664UWK	N/A	N/A	HU664DS

Note: Always verify the number of poles and wires required since catalog numbers may appear in multiple tables.

Double Throw Safety Switches

Table 8-92. Double Throw

Ampere Rating	Catalog Number			
	Cutler-Hammer	General Electric	Siemens	Square D
Fusible, 2-Pole, 2-Wire, 240 Vac, NEMA 1				
30	DT321FGK	TDT3321	N/A	N/A
60	DT322FGK	TDT3322	N/A	N/A
100	DT323FGK	TDT3323	N/A	DT223
200	DT224FGK	TDT3324	DTF224	DT224
400	DT325FGK	TDT3325	N/A	N/A
600	DT326FGK	TDT3326	N/A	N/A
Fusible, 3-Pole, 3-Wire, 240 Vac, NEMA 1				
30	DT321FGK	TDT3321	DTF321	DT321
60	DT322FGK	TDT3322	DTF322	DT322
100	DT323FGK	TDT3323	DTF323	DT323
200	DT324FGK	TDT3324	DTF324	DT324
400	DT325FGK	TDT3325	DTF325	N/A
600	DT326FGK	TDT3326	DTF326	N/A
Non-Fusible, 2-Pole, 2-Wire, 240 Vac, NEMA 1				
30	DT221UGK	N/A	DTNF221	92251
60	DT222UGK	N/A	DTNF222	DTU222
100	DT223UGK	N/A	DTNF223	DTU223
200	DT224UGK	N/A	DTNF224	DTU224
400	DT225UGK	N/A	DTNF225	92255
600	DT226UGK	N/A	DTNF226	N/A
800	DT327UGK	N/A	N/A	N/A
Non-Fusible, 3-Pole, 3-Wire, 240 Vac, NEMA 1				
30	DT321UGK	TC35321	DTNF321	DTU321
60	DT322UGK	TC35322	DTNF322	DTU322
100	DT323UGK	TC35323	DTNF323	DTU323
200	DT324UGK	TC35324	DTNF324	DTU324
400	DT325UGK	TC35325	DTNF325	92355
600	DT326UGK	TC35326	DTNF326	92356
800	DT327UGK	N/A	DTNF327	N/A
Fusible, 3-Pole, 3-Wire, 600 Vac, NEMA 1				
30	DT361FGK	TDT3361	DTF361	DT361
60	DT362FGK	TDT3362	DTF362	DT362
100	DT363FGK	TDT3363	DTF363	DT363
200	DT364FGK	TDT3364	DTF364	DT364
400	DT365FGK	TDT3365	DTF365	N/A
600	N/A	N/A	N/A	N/A
Non-Fusible, 2-Pole, 2-Wire, 600 Vac, NEMA 1				
30	DT261UGK	N/A	DTNF261	N/A
60	DT262UGK	N/A	DTNF262	82342
100	DT263UGK	N/A	DTNF263	82343
200	DT264UGK	N/A	DTNF264	82344
400	DT265UGK	N/A	DTNF265	92345
600	DT266UGK	N/A	DTNF266	92346
Non-Fusible, 3-Pole, 3-Wire, 600 Vac, NEMA 1				
30	DT361UGK	TC35361	DTNF361	DTU361
60	DT362UGK	TC35362	DTNF362	DTU362
100	DT363UGK	TC35363	DTNF363	DTU363
200	DT364UGK	TC35364	DTNF364	DTU364
400	DT365UGK	TC35365	DTNF365	92345
600	DT366UGK	TC35366	DTNF366	92346
800	DT367UGK	N/A	DTNF367	N/A
1200	N/A	N/A	N/A	N/A
Non-Fusible, 4-Pole, 4-Wire, 600 Vac, NEMA 1				
30	N/A	N/A	N/A	N/A
60	N/A	N/A	N/A	DTU462
100	N/A	N/A	N/A	DTU463
200	DT464UGK	N/A	NF454DTK	DTU464
400	DT465UGK	N/A	NF455DTK	92445
600	DT466UGK	N/A	NF456DTK	92446
800	DT467UGK	N/A	NF457DTK	N/A
Fusible, 2-Pole, 2-Wire, 240 Vac, NEMA 3R				
30	DT321FRK	TDT3321R	N/A	N/A
60	DT322FRK	TDT3322R	N/A	N/A
100	DT323FRK	TDT3323R	N/A	DT223RB
200	DT224FRK	TDT3324R	DTF224R	DT224RB

Cross-Reference

Table 8-92. Double Throw (Continued)

Ampere Rating	Catalog Number			
	Cutler-Hammer	General Electric	Siemens	Square D

Fusible, 3-Pole, 3-Wire, 240 Vac, NEMA 3R

30	DT321FRK	TDT3321R	DTF321R	DT321RB
60	DT322FRK	TDT3322R	DTF322R	DT322RB
100	DT323FRK	TDT3323R	DTF323R	DT323RB
200	DT324FRK	TDT3324R	DTF324R	DT324RB
400	DT325FRK	N/A	FR325DTK	N/A
600	DT326FRK	N/A	FR326DTK	N/A

Non-Fusible, 2-Pole, 2-Wire, 240 Vac, NEMA 3R

30	N/A	N/A	N/A	N/A
60	N/A	N/A	N/A	N/A
100	DT323URK	N/A	N/A	DTU223RB
200	DT224URK	N/A	DTNF224R	DTU224RB
400	DT225URK	N/A	DTNF225R	92255R

Non-Fusible, 3-Pole, 3-Wire, 240 Vac, NEMA 3R

30	N/A	N/A	N/A	N/A
60	N/A	N/A	N/A	N/A
100	DT323URK	N/A	DTNF323R	DTU323RB
200	DT324URK	N/A	DTNF324R	DTU324RB
400	DT325URK	N/A	N/A	92355R
600	N/A	N/A	N/A	92356R

Fusible, 3-Pole, 3-Wire, 600 Vac, NEMA 3R

30	N/A	N/A	N/A	DT361RB
60	N/A	N/A	N/A	DT362RB
100	DT363FRK	N/A	DTF363R	DT363RB
200	DT364FRK	N/A	DTF364R	DT364RB
400	DT365FRK	N/A	FR355DTK	N/A

Non-Fusible, 2-Pole, 2-Wire, 600 Vac, NEMA 3R

30	N/A	N/A	N/A	N/A
60	N/A	N/A	N/A	82342RB
100	N/A	N/A	N/A	82343RB
200	DT264URK	N/A	DTNF264R	82344RB
400	DT265URK	N/A	DTNF265R	92345RB
600	DT266URK	N/A	NFR256DTK	92346RB

Non-Fusible, 3-Pole, 3-Wire, 600 Vac, NEMA 3R

30	DT361URK	N/A	DTNF361R	DTU361RB
60	DT362URK	N/A	DTNF362R	DTU362RB
100	DT363URK	N/A	DTNF363R	DTU363RB
200	DT364URK	N/A	DTNF364R	DTU364RB
400	DT365URK	N/A	DTNF365R	92345RB
600	DT366URK	N/A	DTNF366R	92346RB
800	DT367URK	N/A	DTNF367R	N/A

Non-Fusible, 4-Pole, 4-Wire, 600 Vac, NEMA 3R

30	DT461URK	N/A	NFR451DTK	N/A
60	DT462URK	N/A	NFR452DTK	92442RB
100	DT463URK	N/A	NFR453DTK	92443RB
200	DT464URK	N/A	NFR454DTK	92444RB
400	DT465URK	N/A	NFR455DTK	92445R
600	DT466URK	N/A	NFR456DTK	92446R
800	DT467URK	N/A	NFR457DTK	N/A

Non-Fusible, 6-Pole, 6-Wire, 600 Vac, NEMA 3R

30	DT661URK	N/A	NFR651DTK	N/A
60	DT662URK	N/A	NFR652DTK	N/A
100	DT663URK	N/A	NFR653DTK	N/A

Non-Fusible, 2-Pole, 2-Wire, 240 Vac, NEMA 12 ①

30	DT361UDK	N/A	DTNF361J	H92251
60	DT362UDK	N/A	DTNF362J	H82252
100	DT363UDK	N/A	DTNF363J	H82253
200	DT364UDK	N/A	DTNF364J	H82254
400	DT365UDK	N/A	NF355HDTK	H92255

Non-Fusible, 3-Pole, 3-Wire, 240 Vac, NEMA 12 ①

30	DT361UDK	N/A	DTNF361J	H92351
60	DT362UDK	N/A	DTNF362J	DTU362AWK
100	DT363UDK	N/A	DTNF363J	DTU363AWK
200	DT364UDK	N/A	DTNF364J	DTU364AWK
400	DT365UDK	N/A	NF355HDTK	H92355
600	N/A	N/A	N/A	H92356

① Cutler-Hammer and Siemens switches shown are 600 volt switches.

Double Throw (Continued)

Ampere Rating	Catalog Number			
	Cutler-Hammer	General Electric	Siemens	Square D

Non-Fusible, 4-Pole, 4-Wire, 240 Vac, NEMA 12

30	N/A	N/A	N/A	H92451
60	N/A	N/A	N/A	DTU462AWK
100	N/A	N/A	N/A	DTU463AWK
200	N/A	N/A	N/A	DTU464AWK
400	N/A	N/A	N/A	H92455
600	N/A	N/A	N/A	H92456

Non-Fusible, 2-Pole, 2-Wire, 600 Vac, NEMA 12

30	DT361UDK	N/A	DTNF361J	N/A
60	DT362UDK	N/A	DTNF362J	H82342
100	DT363UDK	N/A	DTNF363J	H82343
200	DT364UDK	N/A	DTNF364J	H82344
400	DT365UDK	N/A	NF355HDTK	H92345
600	N/A	N/A	N/A	H92346

Non-Fusible, 3-Pole, 3-Wire, 600 Vac, NEMA 12

30	DT361UDK	N/A	DTNF361J	N/A
60	DT362UDK	N/A	DTNF362J	DTU362AWK
100	DT363UDK	N/A	DTNF363J	DTU363AWK
200	DT364UDK	N/A	DTNF364J	DTU364AWK
400	DT365UDK	N/A	NF355HDTK	H92345
600	N/A	N/A	N/A	H92346

Non-Fusible, 4-Pole, 4-Wire, 600 Vac, NEMA 12

30	N/A	N/A	N/A	N/A
60	N/A	N/A	N/A	DTU462AWK
100	N/A	N/A	N/A	DTU463AWK
200	N/A	N/A	N/A	DTU464AWK
400	N/A	N/A	N/A	H92445
600	N/A	N/A	N/A	H92446

Non-Fusible, 2-Pole, 2-Wire, 600 Vac, NEMA 4X

30	DT361UWK	N/A	DTNF361S	N/A
60	DT362UWK	N/A	DTNF362S	82342DS
100	DT363UWK	N/A	DTNF363S	82343DS
200	DT364UWK	N/A	DTNF364S	82344DS
400	DT365UWK	N/A	NF355SSDTK	N/A

Non-Fusible, 3-Pole, 3-Wire, 600 Vac, NEMA 4X

30	DT361UWK	N/A	DTNF361S	N/A
60	DT362UWK	N/A	DTNF362S	DTU362DS
100	DT363UWK	N/A	DTNF363S	DTU363DS
200	DT364UWK	N/A	DTNF364S	DTU364DS
400	DT365UWK	N/A	NF355SSDTK	N/A

Non-Fusible, 4-Pole, 4-Wire, 600 Vac, NEMA 4X

30	N/A	N/A	N/A	N/A
60	N/A	N/A	N/A	DTU462DS
100	N/A	N/A	N/A	DTU463DS
200	N/A	N/A	N/A	DTU464DS

Fusible, 3-Pole, 3-Wire, 600 Vac, NEMA 4X

30	DT361FWK	N/A	F351SSDTK	N/A
60	DT362FWK	N/A	F352SSDTK	N/A
100	DT363FWK	N/A	F353SSDTK	N/A
200	DT364FWK	N/A	F354SSDTK	N/A
400	DT365FWK	N/A	F355SSDTK	N/A

Note: Always verify the number of poles and wires required since catalog numbers may appear in multiple tables.

**Eaton's Cutler-Hammer
Enclosed Circuit Breakers**

Product Description

- 15 – 1200 ampere range.
- Enclosed device used to open and close a circuit.

Application Description

NEMA 1 General Purpose

**Surface or Flush Mounting 15 – 1200
Ampere Range 600 Vac, 500 Vdc**

NEMA 1 enclosed breakers are designed for indoor use in commercial buildings, apartment buildings and other areas where a general purpose enclosure is applicable. The breaker is front operable and is capable of being padlocked in the OFF position. Ratings through 1200 amperes are listed with Underwriters Laboratories as suitable for service entrance application. Both surface and flush mounted enclosures are available.

- **UL File Number E7819.**
- **CSA File Number LR84319.**



NEMA 1 General Purpose

**NEMA 3R Rainproof Surface
Mounting**

**Interchangeable Hubs (through 400
Amperes) 15 – 1200 Ampere Range
600 Vac, 500 Vdc**

This general purpose outdoor service center employs a circuit breaker inside a weatherproof sheet steel enclosure to serve as a main disconnect and protective device for feeder circuits. The operating handle can be padlocked in the OFF position, and is interlocked to prevent the door from opening when the breaker is ON. Ratings through 1200 amperes are listed by Underwriters Laboratories as suitable for service entrance application.

- **UL File Number E7819.**
- **CSA File Number LR84319.**



NEMA 3R Rainproof Surface Mounting

NEMA 4/4X, 5 Water and Dustproof

**Stainless Steel — Type 304 Surface
Mounting 15 – 1200 Ampere Range
600 Vac, 500 Vdc**

This enclosure meets NEMA 4/4X and 5 requirements for water and dustproof applications and has no knockouts or other openings. It is particularly well suited for use in dairies, borax mines, breweries, paper mills and other process industries. The operating handle can be padlocked in the OFF position, and is interlocked to prevent the door from opening when the breaker is ON. Ratings through 1200 amperes are Underwriters Laboratories listed as suitable for service entrance application.

- **UL File Number E7819.**
- **CSA File Number LR84319.**



NEMA 4/4X Water and Dustproof

Application Description

NEMA 12 Dustproof Surface Mounting**No Knockouts or Other Openings
15 – 1200 Ampere Range
600 Vac, 500 Vdc**

The Type 12 enclosure is designed in line with specifications for special industry application where unusually severe conditions involving oil, coolant, dust and other foreign materials exist in the operating atmosphere. The handle padlocks in the OFF position and the cover is interlocked with the handle mechanism to prevent opening the cover with the circuit breaker in the ON position. Ratings through 1200 amperes are listed by Underwriters Laboratories as suitable for service entrance application. A NEMA 12 semi-dust-tight design which includes knockouts is available. These units are rated 15 – 400 amperes, 600 Vac, 500 Vdc.

- UL File Number E7819.
- CSA File Number LR84319.

*NEMA 12 Dustproof Surface Mounting***NEMA 7/9 Hazardous Location****Cast Aluminum, Explosion-proof
Surface Mounting 15 – 1200 Ampere Range
600 Vac, 250 Vdc**

Hazardous location, Type 7: Class I, Groups B, C, D; Type 9: Class II, Groups E, F, G. This special service cast aluminum enclosure is supplied with a wide, machined flanged cover to prevent igniting outside atmospheres by arcing from inside the enclosure. Front operable, the handle padlocks in the OFF position. Enclosures rated 600 amperes and above have lift-off hinges for ease of assembly.

Note: XFDN050B is not Group B compliant.

- UL File Number E84577.
- CSA File Number LR42131-6.

*NEMA 7/9 Hazardous Location***Features, Benefits and Functions**

- Side-opening door on NEMA 3R enclosures.
- Padlockable in the OFF position.
- Surface or flush mounted enclosures available through 400A on NEMA 1 enclosures.
- Interlocked handle on NEMA 3R, 4/4X, 5 and 12 enclosures to prevent opening when the breaker is in the ON position.
- Interchangeable hubs.
- Numerous factory options.

Standards and Certifications

- UL 489.
- CSA 22.2.
- NEMA 250.

Selection Guide

Table 8-93. Enclosure Only Catalog Numbers Selection Guide

Breaker Frame	Breaker Ampere Range	Enclosure		Price U.S. \$
		NEMA Class	Catalog Number	
Series C Breakers				
GHC, GD 2- and 3-Pole only GHCGFEP 1-Pole Only	15 – 100	1 Surface 3R 12 12K 4/4X, 5 St. Steel	SGDN100 ① RGDN100 JGDN100 DGDN100 WGDN100	
EHD, FD, FDB, HFD	15 – 100	1 Surface 1 Flush 3R 12 12K 4/4X, 5 St. Steel	SFDN100 FFDN100 RFDN100 JFDN100 DFDN100 WFDN100	
EHD, FD, FDB HFD, FDC	15 – 50 60 – 225 ②	7/9 Cast Alum. 7/9 Cast Alum.	XFDN050B ③ XFDN225B ③	
FD, FDB, HFD, ED, EDH, EDC, FDC (15 – 225 Amperes)	125 – 225	1 Surface 1 Flush 3R 12 12K 4/4X, 5 St. Steel	SFDN225 FFDN225 RFDN225 JFDN225 DFDN225 WFDN225	
JD, JDB, HJD, JDC	125 – 250	1 Surface 1 Flush 3R 12 12K 4/4X, 5 St. Steel	SJDN250 FJDN250 RJDN250 JJDN250 DJDN250 WJDN250	
JD, JDB, HJD, JDC	125 – 250	7/9 Cast Alum.	XJDN250B ③	
KD, KDB, HKD, KDC, DK	125 – 400	1 Surface 1 Flush 3R 12 12K 4/4X, 5 St. Steel	SKDN400 FKDN400 RKDN400 JKDN400 DKDN400 WKDN400	
KD, KDB, HKD, KDC, DK	125 – 400	7/9 Cast Alum.	XKDN400B ③	
LGE, LGS, LGH	250 – 600	1 Surface 3R 12 4/4X, 5 St. Steel	SLG630 RLG630 JLG630 ④ WLG630	
LD, LDB, HLD ⑤	300 – 600	1 Surface 3R 12 4/4X, 5 St. Steel 7/9 Cast Alum.	SLDN600 RLDN600 JLDN600 WLDN600 XLDN600B ③	
MDL, HMDL	400 – 800	7/9 Cast Alum.	XMCN800B ③	
MDL, HMDL, ND, HND ⑤	400 – 1200	1 Surface 3R 12 4/4X, 5 St. Steel	SNDN1200 RNDN1200 JNDN1200 WNDN1200	
ND, HND	—	7/9 Cast Alum.	XNDN1200B ③	

- ① Suitable for use with one-pole breaker. Base mounting plate kit. QCCBP required.
- ② Maximum wire size: 4/0.
- ③ Discount Symbol **22CD**.
- ④ Can be field converted to NEMA Type 3R.
- ⑤ Short circuit ratings are limited for high interrupting rated breakers. Refer to **Page 8-69**.

Enclosure Only Catalog Numbers Selection Guide (Continued)

Breaker Frame	Breaker Ampere Range	Enclosure		Price U.S. \$
		NEMA Class	Catalog Number	
Earth Leakage Breakers				
ELFD, ELHFD & ELFDC (3-Pole Only)	15 – 100	1 Surface 1 Flush 3R 12 12K 4/4X	SFD100E FFD100E RFDN100E JFDN100E DFDN100E WFDN100E	
LGE, LGS, LGH Used with ELLBN	250 – 600	1 Surface 3R 12 4/4X, 5 St. Steel	SLG630E RLG630 JLG630 ④ WLG630	

Accessories

Options and Accessories

1. Nameplates Applied

Customer must provide nameplate legend at the time of order.

Table 8-94. Options and Accessories 1

Description	Price U.S. \$ Adder
Nameplate (each)	

2. Key Interlock Systems

Interlocks are used to prevent an authorized operation. Before system construction can begin, the following information must be known:

1. User — name, address and telephone number.
2. Complete lock scheme required.

Table 8-95. Options and Accessories 2

Description	Price U.S. \$ Adder
Lock (each)	

3. Neutral Assemblies Installed

Table 8-96. Options and Accessories 3

Ampere Rating	Price U.S. \$ Adder
100	
250	
400	
600	
1200	

4. Separate Ground Lug Installed

Table 8-97. Options and Accessories 4

Ampere Rating	Price U.S. \$ Adder
100	
250	
400	
600	
800	
1200	

5. Special Paint Finish

Table 8-98. Options and Accessories 5

Description
Contact the Safety Switch Flex Center (1-888-329-9272)

6. Pilot Light On NEMA 1 Enclosure

Table 8-99. Options and Accessories 6

Description	Price U.S. \$ Adder
Pilot Light	

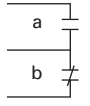
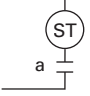
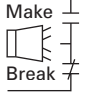
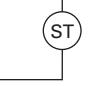
7. Stainless Steel Flush Covers

Table 8-100. Options and Accessories 7

Frame	Price U.S. \$ Adder
F J K	

8. Assembled Enclosed Circuit Breakers Modifications and Accessories

Table 8-101. Options and Accessories 8

Accessories	Modifications	Breaker Frame	Description	Price U.S. \$ Adder
Auxiliary Switches (Specify Voltage and Hz)		G, F, J, K, L, M, N	1A, 1B	
		G, F, J, K, L, M, N	2A, 2B	
		K, L, M, N	3A, 3B	
		R	1A, 1B	
Shunt Trips (Specify Voltage and Hz)		G, F, J, K, L, M, N, R		
Alarm Switches (Specify Voltage and Hz)		G, F, J, K, L, M, N	1 Make, 1 Break	
		F, K, L, M, N	2 Make, 2 Break	
Undervoltage Release (Specify Voltage and Hz)		G, F, J, K, L, M, N, R		

9. Electronic Trip Options

Table 8-102. Options and Accessories 9

Frame Type	Number of Poles	Description	Price U.S. \$ Adder
KD, HKD	3	RMS 310 LS RMS 310 LSI RMS 310 LSG ⑥ RMS 310 LSIG ⑥	
LD, HLD	3	RMS 310 LS RMS 310 LSI RMS 310 LSG ⑥ RMS 310 LSIG ⑥	
MDL, HMDL	3	RMS 310 LS RMS 310 LSI RMS 310 LSG ⑥ RMS 310 LSIG ⑥	
ND	3	RMS 310 LS RMS 310 LSI RMS 310 LSG ⑥ RMS 310 LSIG ⑥	Standard
RD	3	RMS 310 LS RMS 310 LSI RMS 310 LSG RMS 310 LSIG RMS 510 LS ⑦ RMS 610 LS ⑦ RMS 810 LS ⑦ RMS 910 LS ⑦	Standard

⑥ Ground Fault application not available with NEMA 7/9. Contact Eaton's Customer Support Center.
⑦ Add to the appropriate RD RMS 310 adder.

10. Raintight Hubs

All rainproof enclosures 30 through 400 amperes are shipped with plate over cutout. Hubs are not supplied with screws on 30 through 400 ampere enclosures. Use screws from plate.



Raintight Hubs

Table 8-103. Options and Accessories 10

Hubs	Hub Diameter		Catalog Number	Price U.S. \$
	Inches	mm		
Small				
For use with RGDN and RFDN	.75	19.1	DS075H1 DS100H1 DS125H1 DS150H1 DS200H1	
	1.00	25.4		
	1.25	31.8		
	1.50	38.1		
	2.00	50.8		
Large				
For use with RJDN. RKDN has 2 cutouts	2.00	50.8	DS200H2 DS250H2 DS300H2	
	2.50	63.5		
	3.00	76.2		
Required if using small DS hubs on RJDN and RKDN enclosures.			DS900AP	

11. Breather and Drain, Hazardous Enclosures

A Universal Breather/Drain Fitting is installed in the top of an enclosure to provide ventilation to minimize condensation and in the bottom to allow drainage of accumulated condensation while maintaining explosion-proof integrity.

Table 8-104. Options and Accessories 11

Type	Compliance		Conduit Opening	Catalog Number	Price U.S. \$
	NEMA 7	NEMA 9			
BD	Class I, Groups C, D; Class I, Zone 1, Group IIB	Class II, Groups F, G	1/2	XPBD2	
DBB	Class I, Groups B, C, D; Class I, Zone 1, Group IIB + Hydrogen	Class II, Groups E, F, G	1/2	XPDBB50	

12. Neutral Kits, Insulated and Groundable

Table 8-105. Options and Accessories 12

Maximum Enclosure Rating (A)	Main Lug Size Cu/Al	Ground Lug Size Cu/Al	Catalog Number	Price U.S. \$
100 SFDN100 RFDN100	(1) 14 – 1/0	(1) 14 – 2	DH100NK	
100 (all others)	(1) 14 – 1/0	(1) 14 – 1/0	INK100	
250	(1) 4 – 350 kcmil	(1) 4 – 300 kcmil	INK250	
400	(1) 4 – 600 kcmil or (2) 1/0 – 250 kcmil	(1) 4 – 300 kcmil	INK400	
600	(2) 250 – 500 kcmil	(1) 4 – 300 kcmil	INK600	
1200	3/0 – 750 kcmil	(1) #6 – 250 kcmil	DS800NK	

Modifications

Allowable accessory combinations can be reviewed in the Cutler-Hammer Circuit Breaker Product Guide: PG.74.A.01.T.E. Verify final application with the Customer Support Center.

Flex Center

Introduction

The Safety Switch Flex Center is a special facility at the site of our Cleveland, Tennessee plant that is dedicated to providing customized enclosed circuit breakers that meet customer's challenging applications.

The Flex Center is a solutions center that provides real value:

- A dedicated and knowledgeable engineering/manufacturing/customer service team to meet your needs.
- A production facility stocked with a full arsenal of equipment to get the job done.
- The industry's shortest lead-time.
- Easy ordering through our distributors.
- Factory installed modifications include (but are not limited to) the following:
 - Special size enclosure
 - Special nameplates
 - Stainless steel flush cover
 - Special paint
 - Lock-on provisions
 - Neutral assemblies — factory installed
 - Equipment ground lugs — factory installed
 - Cover control (pilot lights, push-buttons, selector switches, etc.)
 - Factory-installed G-Frame breakers
- For application, availability or pricing questions, contact the Safety Switch Flex Center at **1-888-329-9272**.

Service Locations

Satellite Service Locations

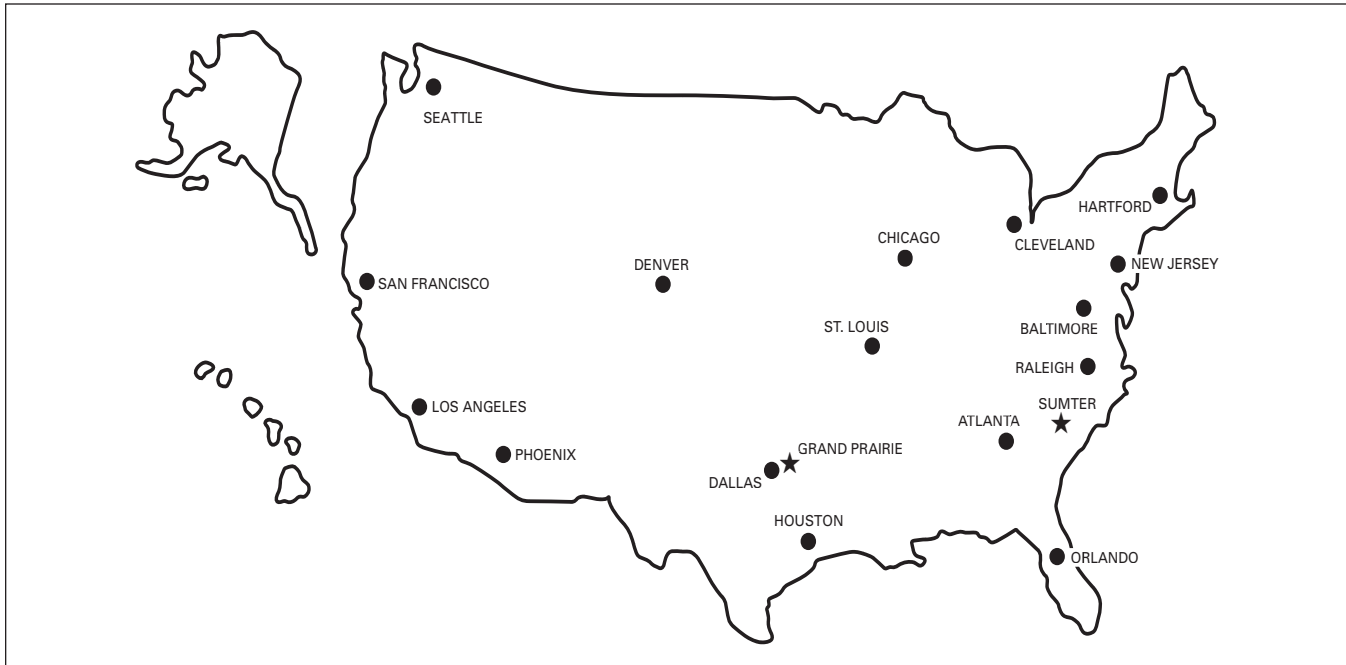


Figure 8-14. Satellite Service Locations

Satellite Plants

Atlanta

7000 Highlands Parkway SE
#102
Smyrna, GA 30082
Fax (770) 433-1863
Phone (678) 309-4260

Baltimore

6671 Santa Barbara Court
Suite A
Elk Ridge, MD 21075
Fax (410) 796-7755
Phone (410) 796-7777

Chicago

959 AEC Drive
Wood Dale, IL 60191
Fax (630) 860-3569
Phone (630) 860-3500

Cleveland

5565 Venture Drive
Unit B
Parma, OH 44130
Fax (216) 433-0545
Phone (216) 433-0616

Dallas

631 Westport Pkwy
Suite 100
Grapevine, TX 76051
Fax (817) 251-6249
Phone (817) 251-6797

Denver

14101 East 33rd Place
Suite F
Aurora, CO 80011
Fax (303) 371-4175
Phone (303) 371-7844

Hartford

625 Day Hill Road
Windsor, CT 06095
Fax (860) 688-4982
Phone (860) 688-5330

Houston

10810 West Little York
Suite 100
Houston, TX 77041
Fax (713) 688-3764
Phone (713) 688-8430

Los Angeles

5590 Jurupa Street
Ontario, CA 91761
Fax (909) 390-8884
Phone (909) 390-8853

New Jersey

96 Stemmers Lane
Westampton, NJ 08060
Fax (609) 835-4777
Phone (609) 835-4230

Orlando

3827 St. Valentine Way
Orlando, FL 32811
Fax (407) 841-9135
Phone (407) 843-3863

Phoenix

921 South Park Lane
Suite 1
Tempe, AZ 85281-5119
Fax (480) 449-4223
Phone (480) 449-4222

Raleigh

2933 S. Miami Blvd.
Suite 111
Durham, NC 27703
Fax (919) 572-9751
Phone (919) 544-7074

St. Louis

12947 Gravois Road
St. Louis, MO 63127
Fax (314) 842-2552
Phone (314) 842-7797

San Francisco

20923 Cabot Boulevard
Hayward, CA 94545
Fax (510) 784-8980
Phone (510) 784-8981

Seattle

18657 72nd Avenue S.
Kent, WA 98032
Fax (425) 251-0079
Phone (425) 251-9081

Technical Data and Specifications

NEMA 1, 12, 12K, 3R

Note: Not to be used for construction purposes unless approved.

Table 8-106. NEMA 1 Surface Mounted (See Figure 8-16)

Frame	Maximum Amperes	Dimensions in Inches (mm)						Approximate Weight in Lbs. (kg)
		A	B	C	D	E	F	
G	100	17.50 (444.5)	8.56 (217.4)	6.28 (159.5)	13.03 (331.0)	1.20 (30.5)	17.19 (436.6)	12 (5)
F ①	100	19.13 (485.9)	9.13 (231.9) ③	5.20 (132.1)	17.00 (431.8)	N/A ④	18.81 (477.8)	13 (6)
Earth Leakage	100	23.25 (590.6)	8.56 (217.4)	6.28 (159.5)	18.75 (476.3)	1.20 (30.5)	22.94 (582.7)	15 (7)
F ②	225	23.25 (590.6)	8.56 (217.4)	6.28 (159.5)	18.75 (476.3)	1.20 (30.5)	22.94 (582.7)	15 (7)
J	250	34.70 (881.4)	10.92 (277.4)	7.20 (182.9)	30.00 (762.0)	1.88 (47.8)	34.39 (873.5)	31 (14)
K ⑤	400	38.81 (985.8)	11.06 (280.9)	10.94 (277.9)	34.00 (863.6)	9.28 (235.7)	38.50 (977.9)	53 (24)
LG	600	51.06 (1296.9)	21.87 (555.5)	9.96 (253.0)	51.63 (1311.5)	1.94 (49.3)	50.13 (1273.3)	90 (41)
Earth Leakage	600	51.06 (1296.9)	21.87 (555.5)	9.96 (253.0)	51.63 (1311.5)	1.94 (49.3)	50.13 (1273.3)	90 (41)
L	600	45.88 (1165.4)	14.31 (363.5)	12.38 (314.5)	46.56 (1182.6)	1.91 (48.5)	45.56 (1157.2)	81 (37)
M, N	1200	61.22 (1555.0)	21.44 (544.6)	15.41 (391.4)	61.84 (1570.7)	1.97 (50.0)	60.91 (1547.1)	178 (81)

- ① SFDN100 Series "B" released 9/15/01.
- ② Maximum wire size: 4/0.
- ③ Total width, including door clip is 9.95 inches (253 mm).
- ④ Single centered mounting hole provided.
- ⑤ Maximum wire size: 500 kcmil.

Table 8-107. NEMA 1 Flush Mounted (See Figure 8-17)

Frame	Maximum Amperes	Dimensions in Inches (mm)						Approximate Weight in Lbs. (kg)
		A	B	C	D	E	F	
F	100	18.81 (477.8)	9.72 (246.9)	6.28 (159.5)	13.03 (331.0)	1.86 (47.2)	18.50 (469.9)	12 (5)
Earth Leakage	100	24.56 (623.8)	9.72 (246.9)	6.28 (159.5)	18.75 (476.3)	1.86 (47.2)	24.25 (616.0)	15 (7)
F ⑥	225	24.56 (623.8)	9.72 (246.9)	6.28 (159.5)	18.75 (476.3)	1.86 (47.2)	24.25 (616.0)	15 (7)
J	250	36.02 (914.9)	12.23 (310.6)	7.20 (182.9)	30.00 (762.0)	1.88 (47.8)	35.70 (906.8)	32 (15)
K ⑦	400	40.13 (1019.3)	12.38 (314.5)	10.94 (277.9)	34.00 (863.6)	2.94 (74.7)	39.81 (1011.2)	53 (24)

- ⑥ Maximum wire size: 4/0.
- ⑦ Maximum wire size: 500 kcmil.

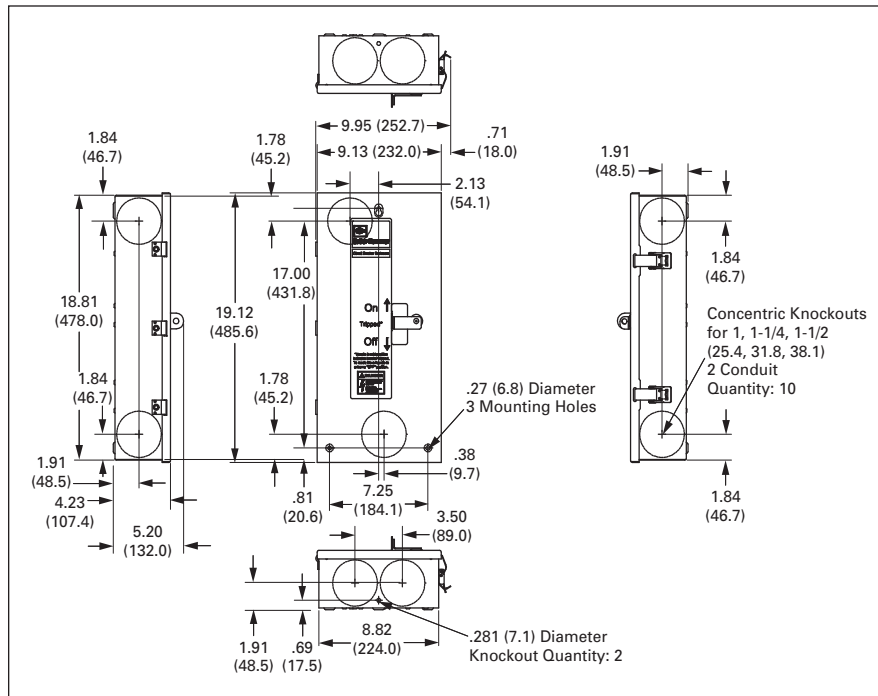


Figure 8-15. NEMA 1 Surface Mounted SFDN100 Series "B"

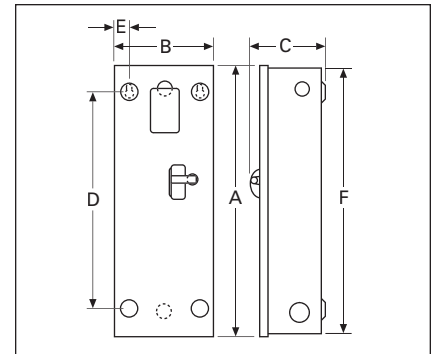


Figure 8-16. NEMA 1 Surface Mounted

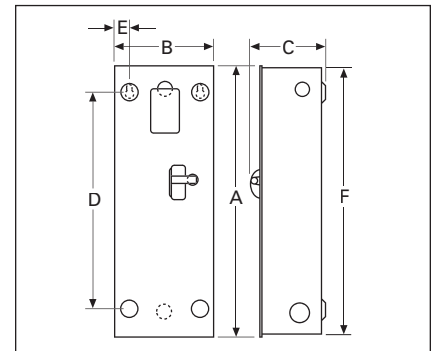


Figure 8-17. NEMA 1 Flush Mounted

Technical Data and Specifications

Table 8-108. NEMA 12, 12K Dustproof (See Figure 8-19)

Frame	Maximum Amperes	Dimensions in Inches (mm)					Approximate Weight in Lbs. (kg)
		A	B	C	D	E	
G, F	100	19.91 (505.7)	9.16 (232.7)	9.31 (236.5)	18.53 (470.7)	1.70 (43.2)	16 (7)
Earth Leakage	100	19.91 (505.7)	9.16 (232.7)	9.31 (236.5)	18.53 (470.7)	1.70 (43.2)	19 (9)
FBP, FCL	100	25.66 (651.8)	9.16 (232.7)	9.31 (236.5)	24.28 (616.7)	1.70 (43.2)	19 (9)
F ①	225	25.66 (651.8)	9.16 (232.7)	9.31 (236.5)	24.28 (616.7)	1.70 (43.2)	19 (9)
J	250	37.53 (953.3)	11.88 (301.8)	10.22 (259.6)	35.77 (908.6)	1.94 (49.3)	37 (17)
K ②	400	41.69 (1058.9)	12.31 (312.7)	14.06 (357.1)	39.94 (1014.5)	1.97 (50.0)	58 (26)
LG	600	53.37 (1355.6)	23.06 (585.7)	14.10 (358.1)	51.63 (1311.4)	1.94 (49.3)	94 (43)
Earth Leakage	600	53.37 (1355.6)	23.06 (585.7)	14.10 (358.1)	51.63 (1311.4)	1.94 (49.3)	94 (43)
L	600	48.31 (1227.1)	15.56 (395.2)	15.50 (393.7)	46.56 (1182.6)	1.92 (48.8)	84 (38)
NBP	800	63.59 (1615.2)	22.63 (574.8)	17.63 (447.8)	—	—	110 (50)
M, N	1200	63.59 (1615.2)	22.63 (574.8)	17.63 (447.8)	61.84 (1570.7)	1.97 (50.0)	175 (80)

- ① Maximum wire size: 4/0.
- ② Maximum wire size: 500 kcmil.

Table 8-109. NEMA 3R Rainproof (See Figure 8-20)

Frame	Maximum Amperes	Dimensions in Inches (mm)					Approximate Weight in Lbs. (kg)
		A	B	C	D	E	
G, F ③	100	19.91 (505.7)	9.16 (232.7)	9.31 (236.5)	18.53 (470.7)	1.70 (43.2) ⑤	16 (7)
Earth Leakage	100	19.91 (505.7)	9.19 (232.7)	9.31 (236.5)	18.53 (470.7)	1.70 (43.2)	19 (9)
FBP, FCL	100	25.66 (651.8)	9.16 (232.7)	9.31 (236.5)	24.28 (616.7)	1.70 (43.2)	19 (9)
F ④	225	25.66 (651.8)	9.16 (232.7)	9.31 (236.5)	24.28 (616.7)	1.70 (43.2)	19 (9)
J	250	37.50 (952.5)	11.88 (301.8)	10.22 (259.6)	35.77 (908.6)	1.94 (49.3)	37 (17)
K ⑥	400	41.69 (1058.9)	12.31 (312.7)	14.06 (357.1)	39.94 (1014.5)	1.97 (50.0)	58 (26)
LG	600	53.37 (1355.6)	23.06 (585.7)	14.10 (358.1)	51.63 (1311.4)	1.94 (49.3)	94 (43)
Earth Leakage	600	53.37 (1355.6)	23.06 (585.7)	14.10 (358.1)	51.63 (1311.4)	1.94 (49.3)	94 (43)
L	600	48.31 (1227.1)	15.56 (395.2)	15.50 (393.7)	46.56 (1182.6)	1.92 (48.8)	84 (38)
M, N	1200	63.59 (1615.2)	22.63 (574.8)	17.63 (447.8)	61.84 (1570.7)	1.97 (50.0)	175 (80)

- ③ RFDN100 Series "B" released 9/15/01.
- ④ Maximum wire size: 4/0.
- ⑤ Single centered mounting hole provided on RFDN100, Series "B."
- ⑥ Maximum wire size: 500 kcmil.

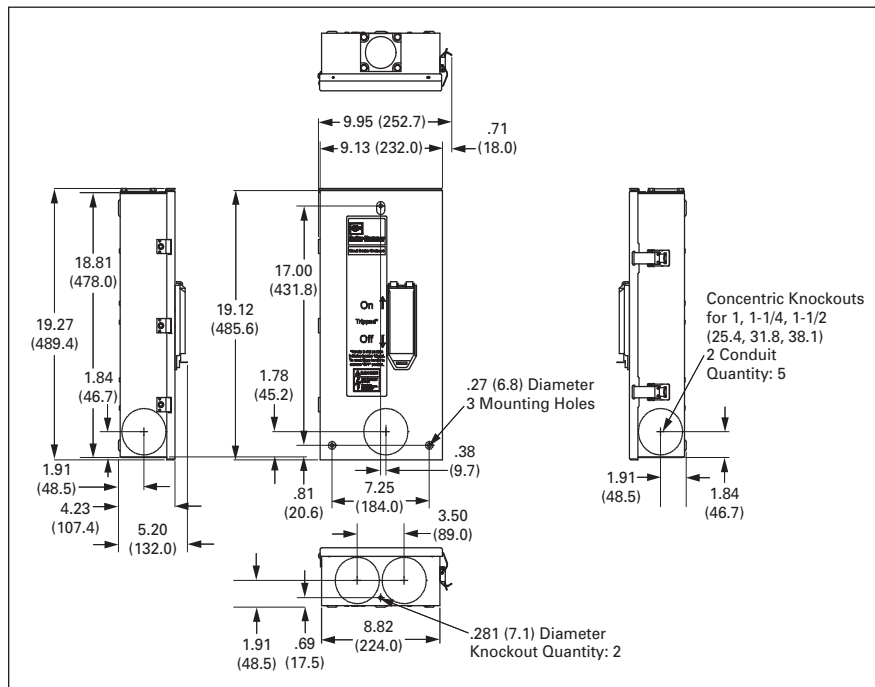


Figure 8-18. NEMA 3R Rainproof RFDN100 Series "B"

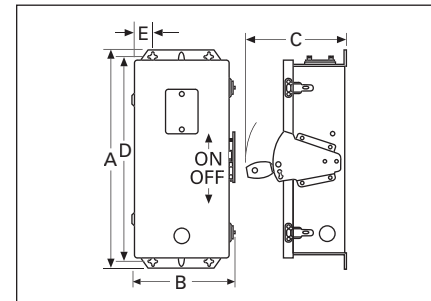


Figure 8-19. NEMA 12, 12K Dustproof

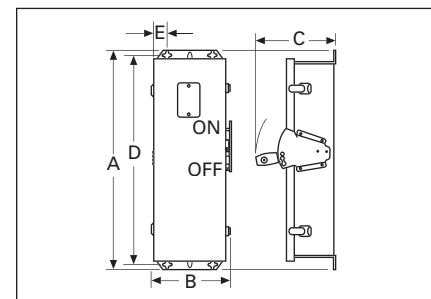


Figure 8-20. NEMA 3R Rainproof

NEMA 4/4X, 5, 7/9

Note: Not to be used for construction purposes unless approved.

Table 8-110. NEMA 4/4X, 5 Stainless Steel

Frame	Maximum Amperes	Dimensions in Inches (mm)					Approximate Weight in Lbs. (kg)
		A	B	C	D	E	
G, F	100	19.91 (505.7)	8.84 (224.5)	9.31 (236.5)	18.53 (470.7)	1.70 (43.2)	16 (7)
Earth Leakage	100	19.91 (505.7)	8.84 (224.5)	9.31 (236.5)	18.53 (470.7)	1.70 (43.2)	20 (9)
FBP, FCL	100	25.66 (651.8)	8.84 (224.5)	9.31 (236.5)	24.28 (616.7)	1.70 (43.2)	20 (9)
F ①	225	25.66 (651.8)	8.84 (224.5)	9.31 (236.5)	24.28 (616.7)	1.70 (43.2)	20 (9)
J	250	37.50 (952.5)	11.56 (293.6)	10.22 (259.6)	35.77 (908.6)	1.94 (49.3)	39 (18)
K ②	400	41.69 (1058.9)	11.75 (298.5)	14.06 (357.1)	39.94 (1014.5)	1.97 (50.0)	60 (27)
LG	600	53.38 (1355.9)	23.06 (585.7)	14.11 (358.4)	51.64 (1311.7)	1.94 (49.3)	96 (44)
Earth Leakage	600	53.38 (1355.9)	23.06 (585.7)	14.11 (358.4)	51.64 (1311.7)	1.94 (49.3)	96 (44)
L	600	48.31 (1227.1)	14.91 (378.7)	15.50 (393.7)	46.56 (1182.6)	1.92 (48.8)	88 (40)
M, N	1200	63.59 (1615.2)	22.00 (558.8)	17.63 (447.8)	61.84 (1570.7)	1.97 (50.0)	185 (84)

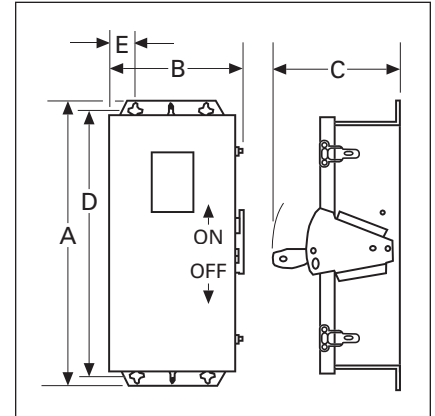


Figure 8-22. NEMA 4/4X, 5 Stainless Steel

- ① Maximum wire size: 4/0.
- ② Maximum wire size: 500 kcmil.

Table 8-111. NEMA 7/9 Cast Aluminum with Weather-Resistant Seals — 15 – 250 Amperes

Breaker Frame	Breaker Size Amperes	Number of Outlets	Dimensions in Inches (mm)										Approximate Weight in Lbs. (kg)	
			Mounting ③			Inside ③			Outside ③			K ③ Dim		Standard Conduit Size ③
			A	B	J	C	D	E	F	G	H			
F XFDN050B	15 – 50	4	5.50 (139.7)	13.13 (333.5)	14.13 (358.9)	6.13 (155.7)	10.75 (273.1)	5.25 (133.4)	10.63 (270.0)	15.25 (387.4)	8.88 (225.6)	2.00 (50.8)	1.50 (38.1)	38 (17)
F ③ XFDN100B	60 – 100	4	6.00 (152.4)	18.00 (457.2)	19.00 (482.6)	6.50 (165.1)	16.00 (406.4)	5.50 (139.7)	11.00 (279.4)	20.50 (520.7)	9.00 (228.6)	2.31 (58.7)	2.00 (50.8)	57 (26)
F ③ XFDN225B	125 – 225	4	10.25 (260.4)	22.63 (574.8)	—	11.38 (289.1)	20.00 (508.0)	6.38 (162.1)	16.38 (416.1)	25.13 (638.3)	9.63 (244.6)	3.50 (88.9)	2.50 (63.5)	104 (47)
J XJDN225B	70 – 225	4	8.50 (215.9)	27.13 (689.1)	—	11.25 (285.8)	29.88 (759.0)	7.38 (187.5)	16.00 (406.4)	29.50 (749.3)	12.31 (312.7)	4.00 (101.6)	3.00 (76.2)	145 (66)
J XJDN250B	250	4	9.50 (241.3)	27.25 (692.2)	—	11.25 (285.8)	29.88 (759.0)	8.06 (204.7)	16.38 (416.1)	35.00 (889.0)	12.38 (314.5)	4.19 (106.4)	4.00 (101.6)	170 (77)

- ③ Maximum wire size: 4/0.

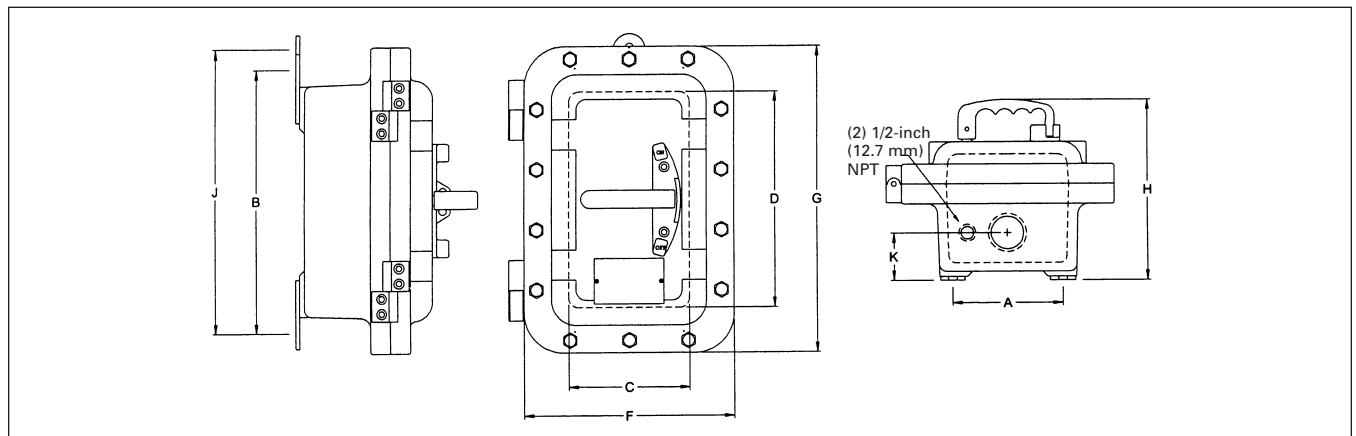


Figure 8-21. NEMA 7/9 Cast Aluminum with Weather-Resistant Seals — Dual 3 and 4 Point Mounting Available as Standard on F Frame 100 Amperes and Below

Technical Data and Specifications

Table 8-112. NEMA 7/9 Cast Aluminum with Weather-Resistant Seals — 400 – 1200 Amperes

Breaker Frame	Breaker Size Amperes	Dimensions in Inches (mm)												Weight Lbs. (kg)
		Overall Enclosure				Enclosure Mounting			Conduit		Hinged Cover	Standard Conduit		
		A	B	C	D	E	F	G	H	I	J	Size	Location	
K ^① XKDN400B	400	35.00 (889.0)	16.38 (416.1)	12.63 (320.8)	7.13 (181.1)	9.50 (241.3)	27.25 (692.2)	.50 (12.7)	3.00 (76.2)	4.19 (106.4)	5.50 (139.7)	4.00 (101.6)	1, 3 & 6, 8	170 (77)
L XLDN600B	600	37.88 (962.2)	23.88 (606.6)	14.25 (362.0)	8.25 (209.6)	16.00 (406.4)	45.38 (1152.7)	.50 (12.7)	4.00 (101.6)	5.00 (127.0)	6.00 (152.4)	4.00 (101.6)	1, 3 & 6, 8	419 (190)
M XMEN800B	800	47.88 (1216.2)	13.63 (346.2)	12.81 (325.4)	6.81 (173.0)	16.13 (409.7)	40.75 (1035.1)	.50 (12.7)	4.00 (101.6)	4.00 (101.6)	6.00 (152.4)	4.00 (101.6)	1, 3 & 6, 8	228 (104)
N ^② XNDN1200B	1200	64.00 (1625.6)	26.00 (660.4)	21.38 (543.1)	14.38 (365.3)	27.56 (700.0)	38.63 (981.2)	.50 (12.7)	6.50 (165.1)	4.38 (111.3)	7.00 (177.8)	4.00 (101.6)	1, 3 & 6, 8	567 (257)

① Maximum wire size: 500 kcmil.

② Power cables must enter and leave from opposite ends (through-feed).

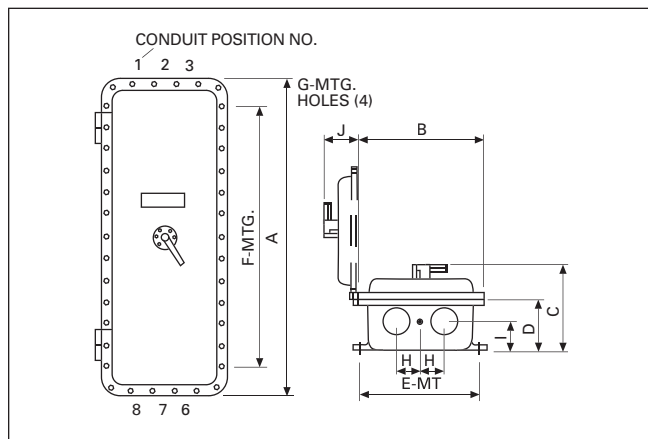


Figure 8-23. NEMA 7/9 Cast Aluminum with Weather-Resistant Seals

Conduit Openings

Refer to outline dimensions for size and location of standard conduit openings. In addition, 1/2-inch (12.7 mm) openings are drilled and tapped for breather and drain. Unless ordered with breather and drain, these openings are plugged. Refer to Eaton for price of breather and drain.

Product Selection

1. Use the data on this page to determine type of enclosure required.
2. Use the data on **Page 8-69** to determine circuit breaker required.
3. Base pricing for the assembled unit can be determined from the tables on **Pages 8-70** and **8-71**.
4. Additional options can be priced from **Pages 8-62** and **8-63** added to the base price.
5. **Pages 8-65** through **8-68** include rough-in dimensional information.

Product Selection

Table 8-113. Industrial Circuit Breaker Selection

Circuit Breaker Type	Continuous Ampere Rating at 40°C	No. of Poles	Volts		Type of Trip ①	Federal Spec. W-C-375b	UL Listed Interrupting Rating rms Symmetrical Amperes									
			ac	dc			ac Ratings Volts						dc ②			
							120	120/240	240	277	480	600	125	250	125/250	
G-Frame																
GHC	15 – 100	1	120	125	N.I.T.U.	12c, 13a	65,000	—	—	—	—	—	—	14,000	—	—
GHC	15 – 100	2, 3	240	125/250		13b	—	—	65,000	—	—	—	—	—	—	14,000
GHC	15 – 100	1	277	125		12c, 13a	—	—	—	14,000	—	—	—	14,000	—	—
GHC	15 – 100	2, 3	277/480	215/250		13b	—	—	—	14,000	14,000	—	—	—	—	14,000
GD	15 – 100	3	480	250	N.I.T.U.	13b	—	—	65,000	—	22,000	—	—	—	10,000	—
F-Frame																
ED	100 – 225	2, 3	240	125	N.I.T.U.	12b	—	—	65,000	—	—	—	—	10,000	—	—
EDH	100 – 225	2, 3	240	125		14b	—	—	100,000	—	—	—	—	10,000	—	—
EDC	100 – 225	2, 3	240	125		1	—	—	200,000	—	—	—	—	10,000	—	—
EHD	15 – 100	1	277	125	N.I.T.U.	13a	—	—	—	14,000	—	—	—	10,000	—	—
EHD	15 – 100	2, 3	480	250		13b	—	—	18,000	—	14,000	—	—	—	10,000	—
FDB	15 – 150	2, 3	600	250	N.I.T.U.	18a	—	—	18,000	—	14,000	14,000	—	10,000	—	—
FDB	15 – 150	4	600	250		③	—	—	18,000	—	14,000	14,000	—	10,000	—	—
FD	15 – 225	1	277	125	N.I.T.U.	13a	—	—	—	25,000	—	—	—	10,000	—	—
FD	15 – 225	2, 3	600	250		22a	—	—	65,000	—	25,000	18,000	—	10,000	—	—
FD	15 – 225	4	600	250		③	—	—	65,000	—	25,000	18,000	—	10,000	—	—
HFD	15 – 225	1	277	125	N.I.T.U.	13a	—	—	—	65,000	—	—	—	10,000	—	—
HFD	15 – 225	2, 3	600	250		22a	—	—	100,000	—	65,000	25,000	—	20,000	—	—
HFD	15 – 225	4	600	250		③	—	—	100,000	—	65,000	25,000	—	20,000	—	—
FDC	15 – 225 ④	2, 3	600	250	N.I.T.U.	24a	—	—	200,000	—	100,000	35,000	—	20,000	—	—
FDC	15 – 225	4	600	250		③	—	—	200,000	—	100,000	35,000	—	20,000	—	—
J-Frame																
JDB	70 – 250	2, 3	600	250	N.I.T.U.	22a	—	—	65,000	—	35,000	18,000	—	10,000	—	—
JD	70 – 250	2, 3, 4	600	250	I.T.U.	22a	—	—	65,000	—	35,000	18,000	—	10,000	—	—
HJD	70 – 250	2, 3, 4	600	250	I.T.U.	22a	—	—	100,000	—	65,000	25,000	—	22,000	—	—
JDC	70 – 250	2, 3, 4	600	250	I.T.U.	22a	—	—	200,000	—	100,000	35,000	—	22,000	—	—
K-Frame																
DK	250 – 400	2, 3	240	250	N.I.T.U.	14b	—	—	65,000	—	—	—	—	10,000	—	—
KDB	100 – 400	2, 3	600	250	N.I.T.U.	23a	—	—	65,000	—	35,000	25,000	—	10,000	—	—
KD	100 – 400	2, 3, 4	600	250	I.T.U.	23a	—	—	65,000	—	35,000	25,000	—	10,000	—	—
HKD	100 – 400	2, 3, 4	600	250	I.T.U.	23a	—	—	100,000	—	65,000	35,000	—	22,000	—	—
KDC	100 – 400	2, 3, 4	600	250	I.T.U.	23a	—	—	200,000	—	100,000	50,000	—	22,000	—	—
LG-Frame																
LGE	250 – 600	3, 4	600	250	I.T.U.	23a	—	—	65,000	—	35,000	18,000	—	22,000	—	—
LGS	250 – 600	3, 4	600	250	I.T.U.	23a	—	—	85,000	—	50,000	25,000	—	22,000	—	—
LGH	250 – 600	3, 4	600	250	I.T.U.	23a	—	—	100,000	—	65,000	35,000	—	42,000	—	—
L-Frame																
LDB	300 – 600	2, 3	600	250	N.I.T.U.	23a	—	—	65,000	—	35,000	25,000	—	22,000	—	—
LD	300 – 600	2, 3, 4	600	250	I.T.U.	23a	—	—	65,000	—	35,000	25,000	—	22,000	—	—
HLD ⑤	300 – 600	2, 3, 4	600	250	I.T.U.	23a	—	—	100,000	—	65,000	35,000	—	25,000	—	—
M-Frame																
MDL	300 – 800	2, 3	600	250	I.T.U.	23a	—	—	65,000	—	50,000	25,000	—	22,000	—	—
HMDL ⑥	300 – 800	2, 3	600	250	I.T.U.	23a	—	—	100,000	—	65,000	35,000	—	25,000	—	—
N-Frame																
ND	600 – 1200	3, 4	600	—	N.I.T.U.	23a	—	—	65,000	—	50,000	25,000	—	—	—	—
HND ⑥	600 – 1200	3, 4	600	—	N.I.T.U.	23a	—	—	100,000	—	65,000	35,000	—	—	—	—
R-Frame																
RD	800 – 2500	3, 4	600	—	N.I.T.U.	24a	—	—	125,000	—	65,000	35,000	—	—	—	—

① N.I.T.U. is non-interchangeable trip unit and I.T.U. is interchangeable trip unit.
 ② Two-pole circuit breaker, or two poles of three-pole circuit breaker at 250 Vdc.
 ③ Not defined in W-C-375b.
 ④ Not suitable for use with 100 ampere enclosures.
 ⑤ HLD: NEMA 1 enclosed: 240 Vac = 100 kA, 480 Vac = 65 kA, 600 Vac = 35 kA, 250 Vdc = 20 kA, 500 Vdc = 25 kA.
 NEMA 3R enclosed: 240 Vac = 65 kA, 480 Vac = 50 kA, 600 Vac = 25 kA, 250 Vdc = 20 kA, 500 Vdc = 25 kA.
 ⑥ HMDL & HND: NEMA 1 & 3R enclosed: 240 Vac = 100 kA, 480 Vac = 65 kA, 600 Vac = 35 kA, 250 Vdc = 30 kA, 500 Vdc = 30 kA.

Product Selection

Table 8-114. Prices for Enclosed Circuit Breaker Assemblies

Circuit Breaker			Enclosure Type — Price U.S. \$ ①						
Frame Type	Number of Poles	Ampere Rating	NEMA 1 Surface	NEMA 1 Flush	NEMA 3R	NEMA 12	NEMA 12K	NEMA 4/4X	NEMA 7/9 ②
GHC	1	15 – 60							
	1	70 – 100							
GHCGFEP	1	15 – 60							
GHC	2	15 – 60							
	2	70 – 100							
	3	15 – 60							
	3	70 – 100							
EHD	2	15 – 60							
	2	70 – 100							
	3	15 – 60							
	3	70 – 100							
ED	2	100 – 225							
	3	100 – 225							
EDH	2	100 – 225							
	3	100 – 225							
EDC	2	100 – 225							
	3	100 – 225							
FDB	2	15 – 60							
	2	70 – 100							
	2	125 – 150							
	3	15 – 60							
	3	70 – 100							
	3	125 – 150							
FD	2	15 – 60							
	2	70 – 100							
	2	125 – 225							
	3	15 – 60							
	3	70 – 100							
	3	125 – 225							
HFD	2	15 – 60							
	2	70 – 100							
	2	125 – 225							
	3	15 – 60							
	3	70 – 100							
	3	125 – 225							
JDB	2	70 – 225							
	2	250							
	3	70 – 225							
	3	250							
HJD	2	70 – 225							
	2	250							
	3	70 – 225							
	3	250							
DK	2	250 – 400							
	3	250 – 400							
KDB	2	100 – 400							
	3	100 – 400							
HKD	2	100 – 400							
	3	100 – 400							
LDB	2	300 – 600							
	3	300 – 600							
HLD	2	300 – 600							
	3	300 – 600							
MDL	2	300 – 800							
	3	300 – 800							
HMDL	2	300 – 800							
	3	300 – 800							

① Price U.S. \$ includes enclosure; breaker frame and trip unit or rating plug; standard line and load terminals; assembling and packaging in single shipping carton.

② Discount Symbol **22CD**.

Note: For all other combination assembled enclosed circuit breakers refer to Eaton's Customer Support Center.

Product Selection

Table 8-114. Prices for Enclosed Circuit Breakers (Continued)

Circuit Breaker			Enclosure Type — Price U.S. \$						
Frame Type	Number of Poles	Ampere Rating	NEMA 1 Surface	NEMA 1 Flush	NEMA 3R	NEMA 12	NEMA 12K	NEMA 4/4X	NEMA 7/9
ND	2	600 – 1200							
	3	600 – 1200							
HND	2	600 – 1200							
	3	600 – 1200							
ELFD Earth Leakage	3	15 – 100							
	3	110 – 150							
	4	15 – 100							
	4	110 – 150							
ELHFD Earth Leakage	3	15 – 100							
	3	110 – 150							
	4	15 – 100							
	4	110 – 150							
ELJD Earth Leakage	3	100 – 225							
	3	250							
	4	100 – 225							
	4	250							
ELHJD Earth Leakage	3	100 – 225							
	3	250							
	4	100 – 225							
	4	250							
ELKD Earth Leakage	3	200 – 400							
	4	200 – 400							
ELHKD Earth Leakage	3	200 – 400							
	4	200 – 400							
FCL	3	15 – 100							
FBP	3	15 – 100							
RD ①	3	1600 ②							
	3	2000 ③							
	3	2500 ④							

① Enclosure is Pow-R-Line C™ Switchboard assembly.

② (4) 500 – 1000 kcmil per phase, line and load.

③ (6) #2 – 600 kcmil per phase, line and load.

④ (9) #4 – 500 kcmil per phase, line and load.

Note: For all other combination assembled enclosed circuit breakers refer to Customer Support Center.

Table 8-115. Special RD Modifications and Accessories

Description	Price U.S. \$ Adder
1600 Ampere Neutral Assembly (Aluminum) 2000 Ampere Neutral Assembly (Aluminum) 2500 Ampere Neutral Assembly (Aluminum)	
1600 Ampere Neutral Assembly (Copper) 2000 Ampere Neutral Assembly (Copper) 2500 Ampere Neutral Assembly (Copper)	
Adjustable Rating Plug Lockoff, Padlockable Key Interlock	
Phase Failure Protection (Includes Shunt Trip) Zero Sequence GFP (Including Shunt Trip and Test Panel) NEMA 3R Flat Roof	
Heater Package (Includes CPT, Heater, Thermostat and Disconnect) Special Sized Enclosures Standard is 90-inch H x 30-inch W x 30-inch D (2286 x 762 x 762 mm)	
IQ Metering	
Non-Standard Terminations	

Discount Symbol **CB-2**

Cross-Reference

Cross-Reference

Table 8-116. Enclosed Circuit Breaker Competitive Catalog Numbers

NEMA Rating	Catalog Number							
	Cutler-Hammer		Square D		Siemens		General Electric	
	Enclosure	Breaker	Enclosure	Breaker	Enclosure	Breaker	Enclosure	Breaker
1 Surface 1 Flush 3R	SGDN100	GHC3100	EHB125NS	EHB34100	—	—	—	—
	—	—	EHB125NF	EHB34100	—	—	—	—
	RGDN100	GHC3100	EHB125NRB	EHB34100	—	—	—	—
12 12K 4/4X	JGDN100	GHC3100	—	—	—	—	—	—
	DGDN100	GHC3100	—	—	—	—	—	—
	WGDN100	GHC3100	—	—	—	—	—	—
1 Surface 1 Flush 3R	SFDN100	EHD3100L	FA100S	FAL34100	E2N1S	ED43B100	TE100S	TED134100WL
	FFDN100	EHD3100L	FA100F	FAL34100	E2N1F	ED43B100	TE100F	TED134100WL
	RFDN100	EHD3100L	FA100RB	FAL34100	E2N3R	ED43B100	TE100R	TED134100WL
12/3R 12	—	—	FA100AWK	FAL34100	—	—	—	—
	JFDN100	EHD3100L	—	—	E2N12	ED43B100	TE100J/SE100J	TED134100WL
12K	DFDN100	EHD3100L	FA100A	FAL34100	E2N12	ED43B100	TE100D/_____	TED134100WL
4/4X 7/9 9	WFDN100	EHD3100L	FA100DS	FAL34100	ED6SS4	ED43B100	TE100CS/SE100CS	TED134100WL
	XFDN050	EHD3050L	FA060X	FAL34060	EA	ED43B100	—	—
	—	—	FA060Y	FAL34060	—	—	—	—
7/9 9	XFDN225B ①	FD3225L	FA100X	FAL34100	EB	ED43B100	—	—
	—	—	FA100Y	FAL34100	—	—	—	—
1 Surface 1 Flush 3R	SFDN225 ①	FDB3150L	—	—	E2N1S	ED43B125	TE150S	TED134150WL
	FFDN225 ①	FDB3150L	—	—	E2N1F	ED43B125	TE150F	TED134150WL
	RFDN225 ①	FDB3150L	—	—	E2N3R	ED43B125	TE150R	TED134150WL
12 12K 4/4X	JFDN225 ①	FDB3150L	—	—	E2N12	ED43B125	—	—
	DFDN225 ①	FDB3150L	—	—	E2N12	ED43B125	—	—
	WFDN225 ①	FDB3150L	—	—	ED6SS4	ED43B125	—	—
7/9	XFDN225B ①	FDB3150L	—	—	—	—	—	—
1 Surface 1 Flush 3R	SFDN225 ①	FD3225L	—	—	—	—	—	—
	FFDN225 ①	FD3225L	—	—	—	—	—	—
	RFDN225 ①	FD3225L	—	—	—	—	—	—
12 12K 4/4X	JFDN225 ①	FD3225L	—	—	—	—	—	—
	DFDN225 ①	FD3225L	—	—	—	—	—	—
	WFDN225 ①	FD3225L	—	—	—	—	—	—
7/9	XFDN225B ①	FD3225L	—	—	—	—	—	—
1 Surface 1 Flush 3R	SJDN250	JDB3250	KA225S	KAL36250	F6N1S	FXD63B250	TF225S	TFJ236225WL
	FJDN250	JDB3250	KA225F	KAL36250	F6N1F	FXD63B250	TF225F	TFJ236225WL
	RJDN250	JDB3250	KA225RB	KAL36250	F6N3R	FXD63B250	TF225R	TFJ236225WL
12/3R 12	—	—	KA225AWK	KAL36250	—	—	—	—
	JJDN250	JDB3250	—	—	F6N12	FXD63B250	TF225J/SF250J	TFJ236225WL
	DJDN250	JDB3250	KA225A	KAL36250	F6N12	FXD63B250	_____/SF250D	TFJ236225WL
4/4X 7/9 9	WJDN250	JDB3250	KA225DS	KAL36250	FD6SS4	FXD63B250	TF225CS/SF250CS	TFJ236225WL
	XJDN250B	—	KA225X	KAL36250	EC2	FXD63B250	—	—
	—	—	KA225Y	KAL36250	—	—	—	—
1 Surface 1 Flush 3R	SKDN400 ②	KDB3400	LA400S	LAL36400	J6N1	JXD63B400	TJ400S/SG400S	TJK436400WL
	FKDN400 ②	KDB3400	LA400F	LAL36400	—	—	TJ400F/SG400F	TJK436400WL
	RKDN400 ②	KDB3400	LA400R	LAL36400	J6N3R	JXD63B400	TJ400R/SG400R	TJK436400WL
12/3R 12	—	—	LA400AWK	LAL36400	—	—	—	—
	JKDN400 ②	KDB3400	—	—	J6N12	JXD63B400	TJ400J/SG400J	TJK436400WL
	DKDN400 ②	KDB3400	—	—	J6N12	JXD63B400	_____/SG400D	TJK436400WL
4/4X 7/9	WKDN400 ②	KDB3400	LA400DS	LAL36400	—	—	TJ400CS/SG400CS	TJK436400WL
	XKDN400B ②	KDB3400	—	—	EE	JXD63B400	—	—

① Maximum wire size 4/0.

② Maximum wire size 500 kcmil.

Cross-Reference

Table 8-116. Enclosed Circuit Breaker Competitive Catalog Numbers (Continued)

NEMA Rating	Catalog Number							
	Cutler-Hammer		Square D		Siemens		General Electric	
	Enclosure	Breaker	Enclosure	Breaker	Enclosure	Breaker	Enclosure	Breaker
1 Surface 1 Flush 3R	SLDN600 — RLDN600	LDB3600 — LDB3600	MA1000S MA1000F —	MAL36600 MAL36600 —	LD6N1 — LD6N3R	LXD63B600 — LXD63B600	TJ600S/SG600S TJ600F/SG600F TJ600R/SG600R	TJK636600WL TJK636600WL TJK636600WL
12/3R 12 4/4X	— JLDN600 WLDN600	— LDB3600 LDB3600	MA1000AWK — MA1000DS	MAL36600 — MAL36600	— LD6N12 LD6SS4	— LXD63B600 LXD63B600	— TJ600J/SG600J TJ600CS	— TJK636600WL TJK636600WL
7/9	XMCN800B	LDB3600	—	—	ED6	LXD63B600	—	—
1 Surface 1 Flush 3R	SNDN1200 — RNDN1200	MDL3800 — MDL3800	MA1000S MA1000F —	MAL36800 MAL36800 —	LMD1 — LMD3R	MXD63B800 — MXD63B800	TK4V1200S TK4V1200F TKV41200R	TKMA836800WL TKMA836800WL TKMA836800WL
12/3R 12 4/4X	— JNDN1200 WNDN1200	— MDL3800 MDL3800	MA1000AWK — MA1000DS	MAL36800 — MAL36800	— LMD12 —	— MXD63B800 —	— TK4V1200J/SK1200 —	— TKMA836800WL —
7/9	XMCN800B	MDL3800	—	—	—	—	—	—
1 Surface 1 Flush 3R	SNDN1200 — RNDN1200	ND312T33W — ND312T33W	MA1000S MA1000F —	MAL361000 MAL361000 —	— — —	— — —	— — —	— — —
12/3R 12 4/4X	— JNDN1200 WNDN1200	— ND312T33W ND312T33W	MA1000AWK — MA1000DS	MAL361000 — MAL361000	— — —	— — —	— — —	— — —
1 Surface 12 3R	SNDN1200 — RNDN1200	ND312T33W — ND312T33W	— — —	— — —	MND61 — MND63	NXD63B120 — NXD63B120	TK4V1200S TK4V1200F TKV41200R	TKMA31200WL TKMA31200WL TKMA31200WL
1 Surface 12 4/4X	— JNDN1200 WNDN1200	— ND312T33W ND312T33W	NA1200AWK — —	NAL361200 — —	— MND612 —	— NXD63B120 —	— TK4V1200J/SK1200 —	— TKMA31200WL —
7/9	XNDN1200B ①	ND312T33W	—	—	—	—	—	—

① Through-feed only.

Product Family Overview

Product Description

- 16 – 1200 A non-fusible range.
- 30 – 800 A fusible range.
- Compact design to minimize panel space requirements
- Variable depth — complete range of shafts that can be cut for specific enclosure depths
- Pistol type or selector type handle for through-the-door operation, toggle type handle for internal panel mounting
- Suitable for equipment or machinery as motor disconnects or industrial control panel disconnects

Features, Benefits and Functions

- Seven frame sizes to cover 16 – 1200 A, 600 V applications.
- 3-pole and 4-pole versions.
- Rotary or toggle operation.
- Direct handle or front through-the-door operation.
- Base mounting or DIN-rail mounting.
- Welded contact protection.
- Clear ON and OFF indication.
- Full range of handles.
- Padlockable in the OFF position with up to three padlocks.
- Interlocked, defeatable handle prevents easy access in the ON position.
- Wide selection of shafts.
- Visible blade indication (non-fusible C- and V-Frames).

Standards and Certifications

M-, R-, W-Frames

- UL 508
- cUL
- UL, cUL File No. E173959
- M.L. File No. E103981
- IEC 60 947-3
- CE

C-, V-, S-, F-Frames

- UL 98 and UL 489
- M.L. File No. E13430
- CSA
- IEC 60 947-3

Options and Accessories

- Neutral modules.
- Auxiliary contacts.
- 4th pole modules.
- Protective earth modules.
- Terminal shrouds/shields.
- Enclosed switches.



M-Frame



R-Frame



W-Frame

C-Frame
Non-fusibleC-Frame
FusibleV-Frame
FusibleV-Frame
Non-fusibleS-Frame
Non-fusibleF-Frame
Fusible

Padlocking

Handles can be padlocked in the OFF position with up to three padlocks. Meets OSHA requirement for lockout/tagout procedures.

For safety reasons, the door cannot be opened when the handle is padlocked.

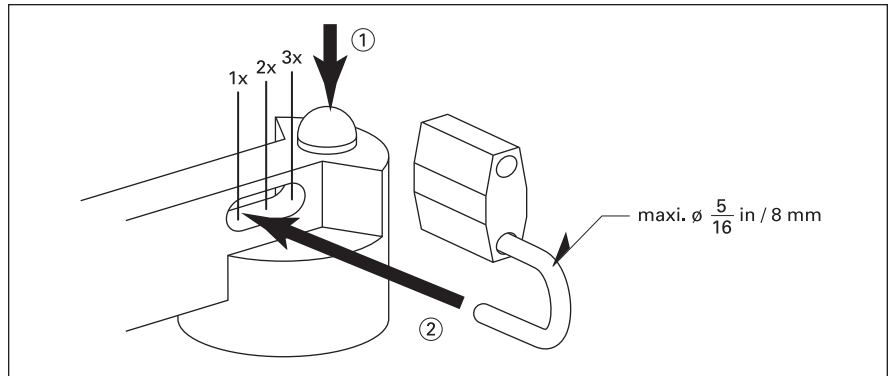


Figure 8-24. Padlocking Capability (Type G Pistol Handle is Shown)

Door Interlock in ON Position

The handles allow opening of the door in the OFF position only. In the ON position, the door cannot be opened.

This interlocking can however be bypassed by authorized personnel (defeater option on handle) for maintenance, testing or commissioning.

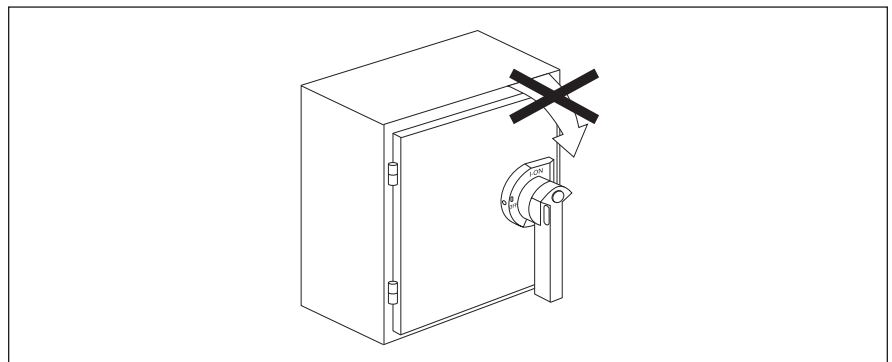


Figure 8-25. Door Interlocking

Defeater

The defeat function allows qualified personnel to bypass the door interlock when the switch is in the ON position by means of a tool.

This exclusive design is also available in a 4 and 4X rating.

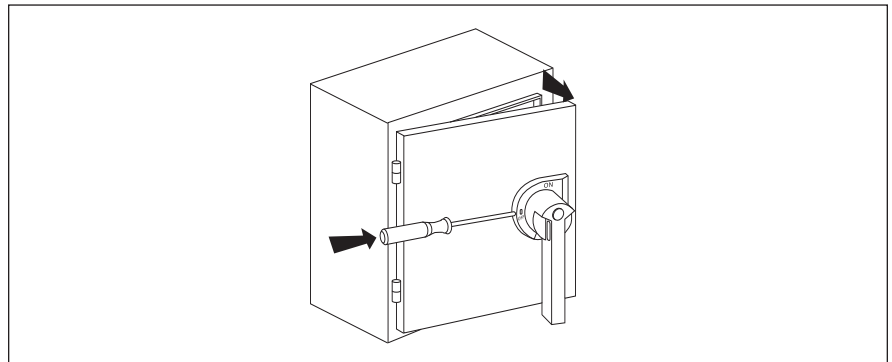


Figure 8-26. Interlocking Defeater

Toggle Option

Available for internal panel mounting.



**Toggle Operated Switch
(Shown with Optional Toggle Cover Plate)**

Product Family Overview

Technical Data and Specifications

Table 8-117. UL 508 Technical Characteristics

Description	M-Frame			R-Frame		W-Frame			
	Catalog Number			Catalog Number		Catalog Number			
	C362NM16	C362NM20	C362NM25	C362NR30	C362NR40	C362NW60	C362NW80	C362NW100	C362NW125
Rating (3 Poles)	16A	20A	25A	30A	40A	60A	80A	100A	125A
UL Approval	UL508/cUL	UL508/cUL	UL508/cUL	UL508/cUL	UL508/cUL	UL508/cUL	UL508/cUL	UL508/cUL	UL508/cUL
Short Circuit Rating kA	5	5	5	10	10	10	10	10	10
Fuse Type	RK5	RK5	RK5	RK5	RK5	RK5	RK5	RK5	RK5
Fuse Rating (A)	30	30	30	80	80	150	150	150	150
Maximum UL Horsepower Ratings (3-Phase)	220 – 240 Vac	2	3	5	7-1/2	10	15	20	25
	440 – 480 Vac	7-1/2	7-1/2	10	15	20	30	40	50
	600 Vac	7-1/2	10	15	25	30	40	50	60
Maximum UL Horsepower	120 Vac	1/2	1	1-1/2	2	2	3	5	5
Ratings (1-Phase)	240 Vac	1.5	2	3	5	5	10	15	15
Electrical Endurance	(Operation Cycles)	6000	6000	6000	6000	6000	6000	6000	6000
Mechanical Endurance	(Operation Cycles)	6000	6000	6000	6000	6000	6000	6000	6000
Terminal Lugs	Wire Size	#6 – #10	#6 – #10	#6 – #10	#14 – #8	#14 – #8	#14 – #3	#14 – #3	#14 – #3
	Wire Type	Cu	Cu	Cu	Cu	Cu	Cu	Cu	Cu
Weight in Lbs. (kg)		.32 (.15)	.32 (.15)	.32 (.15)	.44 (.20)	.44 (.20)	.66 (.30)	.66 (.30)	.66 (.30)

Table 8-118. IEC Technical Characteristics

Description	M-Frame			R-Frame		W-Frame			
	Catalog Number			Catalog Number		Catalog Number			
	C362NM16	C362NM20	C362NM25	C362NR30	C362NR40	C362NW60	C362NW80	C362NW100	C362NW125
Thermal Current I _{th} (40°C)	16A	20A	25A	32A	40A	63A	80A	100A	125A
Rated Insulation Voltage U _i (V)	800	800	800	690	690	690	690	690	690
Rated Impulse Withstand U _{imp} (kV)	8	9	8	8	8	8	8	8	8
Operational Current (A)	3 Poles	3 Poles	3 Poles	3 Poles	3 Poles	3 Poles	3 Poles	3 Poles	3 Poles
400 Vac – ac 22 A – ac 23 A	16	20	25	32	40	63	80	80	80
	16	20	25	25	25	63	63	63	63
500 Vac – ac 22 A – ac 23 A	16	20	25	32	40	63	80	80	80
	16	16	20	25	25	45	45	45	45
690 Vac – ac 22 A – ac 23 A	16	20	25	32	40	63	80	80	80
	16	16	20	25	25	40	40	40	40
Motor Power (kW)									
400 Vac– ac 23	8	9	11	11	11	25	25	25	25
500 Vac – ac 23	9	9	11	15	15	25	25	25	25
690 Vac – ac 23	12.5	12.5	15	22	22	25	25	25	25
Overload Capacity									
Short Circuit Current with Fuses (kA rms)	50	50	50	50	50	50	50	50	50
Maximum Rating for Associated Fuses gG (A)	16	20	25	32	40	63	80	80	80
Cutoff Current	5.9	5.9	5.9	5	5	8	8	8	8
Short Time Withstand Current I _{scw} 1 s (kA)	1.2	1.2	1.2	1	1	1.5	1.5	1.5	1.5
Withstand									
Mechanical	100,000	100,000	100,000	20,000	20,000	20,000	20,000	20,000	20,000
Electrical (400 Vac 23)	1,500	1,500	1,500	1,500	1,500	1,500	1,500	1,500	1,500
Connection									
Cu (mm ²)	1.5 to 6	1.5 to 6	1.5 to 6	1.5 to 16	1.5 to 16	1.5 to 35	1.5 to 35	1.5 to 35	1.5 to 35

Product Family Overview

Table 8-119. UL 98 and CSA Technical Characteristics

Description	Frame										
	C	V	V	V	V	S and V	S and F	S and F	S	S	
Rating (3 Poles)	30	30	60	100	200	400	600	800	1000	1200	
UL Approval	UL 489/cUL	UL 98/cUL	UL 98/cUL	UL 98/cUL	UL 98/cUL	UL 98/cUL	UL 98/cUL	UL 98/cUL	UL 98/cUL	UL 98/cUL	
Short Circuit Rating kA	50	100/200	200	200	200	200	200	100	100	100	
Fuse Type (if applicable)	J or CC	CC/J	J	J	J	J	J	L	L	L	
Fuse Rating (A)	30	30	60	100	200	400	600	800	1000	1200	
Maximum UL Horsepower (3-Phase)	240 Vac	7-1/2 / 22	7-1/2 / 22	15/42	30/80	60/154	125/312	200/480	250/602	250/602	250/602
	480 Vac	15/21	15/21	30/40	60/77	125/156	250/302	400/477	500/590	500/590	500/590
	600 Vac	20/22	20/22	50/52	75/77	150/144	350/336	350/336	500/472	500/472	500/472
	dc 125 V	3/25 ①	3/25	3/25 ①	7-1/2 / 58 ①	15/112 ①	20/148 ①	20/148 ①	—	—	—
	dc 250 V	5/20 ①	5/20	10/38 ②	20/72 ②	40/140 ②	50/173 ②	50/173 ②	—	—	—
Electrical Endurance	(Operation Cycles)	6000	6000	6000	6000	6000	1000	1000	500	500	500
Mechanical Endurance	(Operation Cycles)	10,000	10,000	10,000	10,000	8000	6000	6000	3500	3500	3500
Shaft Size Square	Inches (mm)	.2 x .2 (5 x 5)	.4 x .4 (10 x 10)	.4 x .4 (10 x 10)	.4 x .4 (10 x 10)	.4 x .4 (10 x 10)	.59 x .59 (15 x 15)/ .4 x .4 (10 x 10) ③	.59 x .59 (15 x 15)	.59 x .59 (15 x 15)	.59 x .59 (15 x 15)	.59 x .59 (15 x 15)
Switch Operating Torque	16-inch (406.4 mm)	21	88	88	88	88	320/132	350	350	350	350
Terminal Lugs	Wire Size	#10 – #14	#10 – #14	#3 – #10	#2/0 – #10	3/0 – #6	2 x 2	2 x 2	2 x 2	2 x 2	2 x 2
	Wire Type	Cu	Cu	Cu	Cu	Cu	Cu	Cu	Cu	Cu	Cu
Weight in Lbs. (kg)		1.1 (.50)	1.1 (.50)	2.0 (.91)	2.5 (1.1)	4.4 (2.0)	8.8 (4.0)	9.9 (4.5)	22.0 (10.0)	28.6 (13.0)	30.8 (14.0)

① 2-pole in series.

② 3-pole in series.

③ 15 x 15 shaft for non-fusible and 10 x 10 shaft for fusible, 400 A.

Product Family Overview

Dimensions

Frames — Dimensions in Inches (mm)

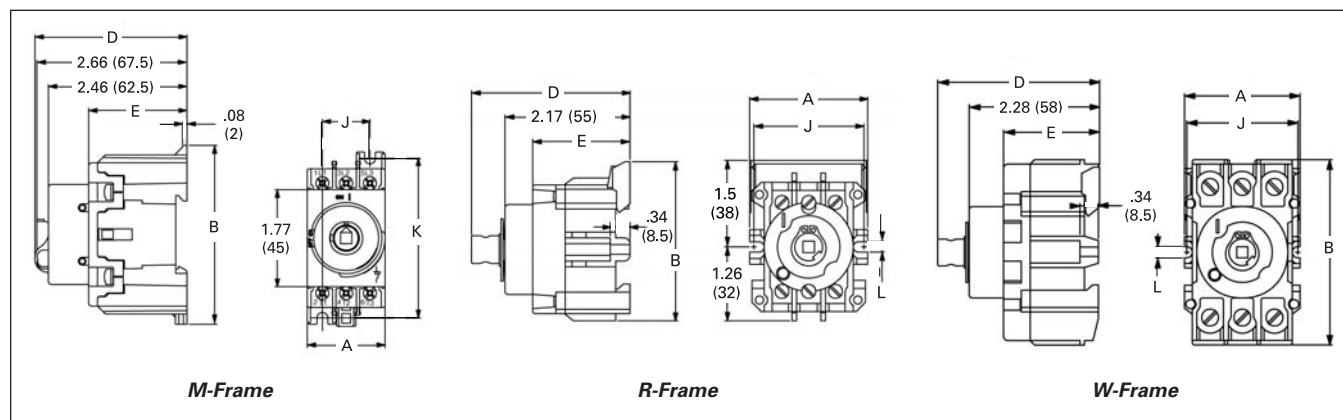


Figure 8-27. M-, R- and W-Frames — Approximate Dimensions in Inches (mm)

Table 8-120. M-, R- and W-Frames — Approximate Dimensions in Inches (mm)

Frame	Ampere Rating	A	B	D	E	J	K	L
M	16 – 25	1.42 (36.1)	3.15 (80.0)	2.75 (69.9)	1.75 (44.5)	.87 (22.1)	2.91 (73.9)	—
R	30 – 40	2.00 (50.8)	2.75 (69.9)	2.68 (68.1)	1.65 (41.9)	1.89 (48.0)	—	.17 (4.3)
W	60 – 125	2.09 (53.1)	3.35 (85.1)	2.88 (73.2)	1.69 (42.9)	2.05 (52.1)	—	.17 (4.3)

Note: Frame is designated by the sixth character in the switch Catalog Number.

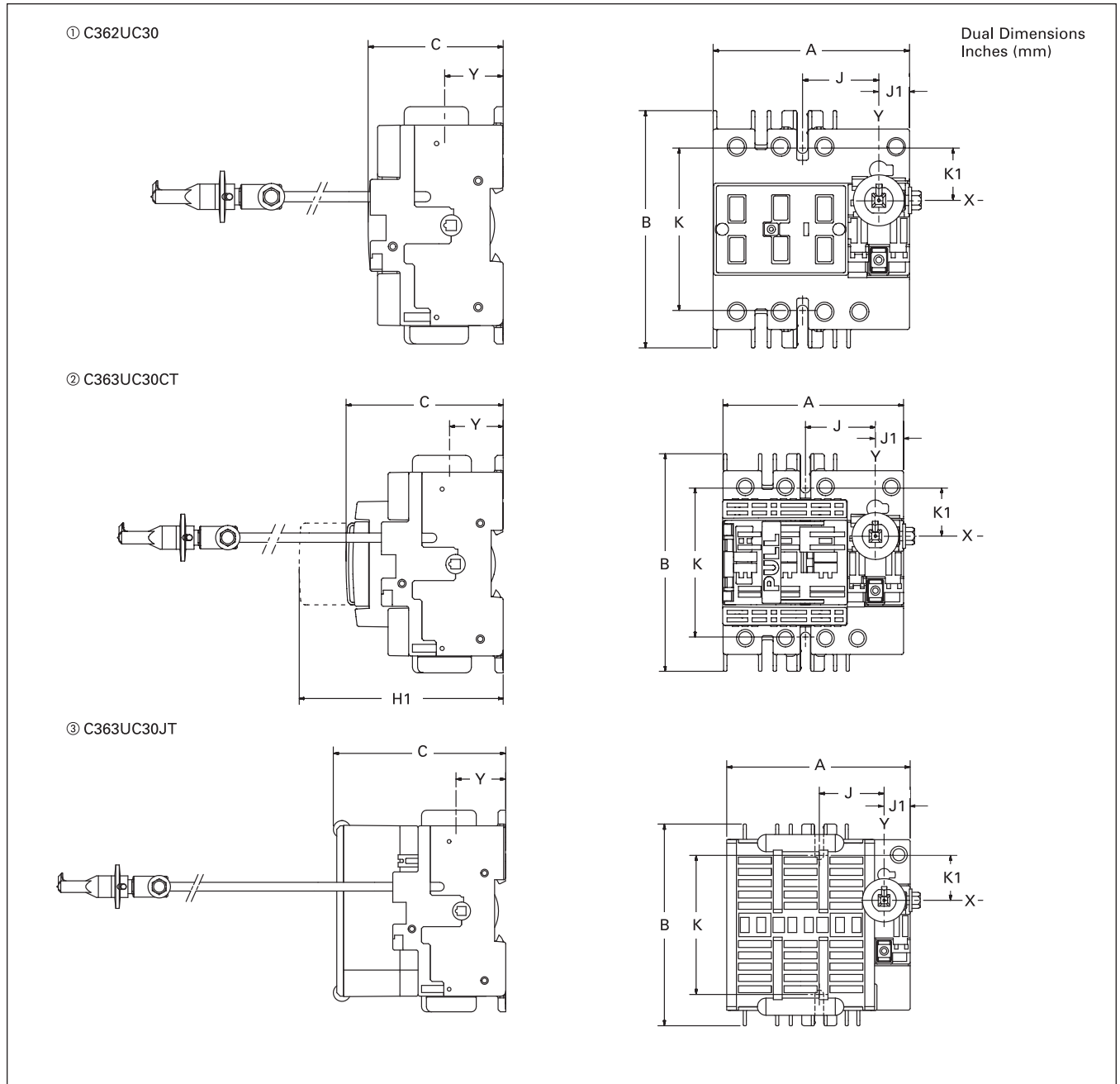


Figure 8-28. C-Frames — Approximate Dimensions in Inches (mm)

Table 8-121. C-Frames — Approximate Dimensions in Inches (mm)

Description	A	B	C	H	H1	H2	H3	J	J1	K	K1	Y
3-Pole ①	3.78 (96.0)	4.56 (115.8)	2.59 (65.8)	—	—	—	—	1.47 (37.3)	.59 (15.0)	3.13 (79.5)	1.00 (25.4)	1.12 (28.4)
3-Pole ②	3.78 (96.0)	4.56 (115.8)	3.28 (83.3)	—	5.19 (131.8)	—	—	1.47 (37.3)	.59 (15.0)	3.13 (79.5)	1.00 (25.4)	1.12 (28.4)
3-Pole ③	4.13 (104.9)	4.56 (115.8)	3.89 (98.8)	—	—	—	—	1.47 (37.3)	.59 (15.0)	3.30 (83.8)	1.00 (25.4)	1.12 (28.4)

Product Family Overview

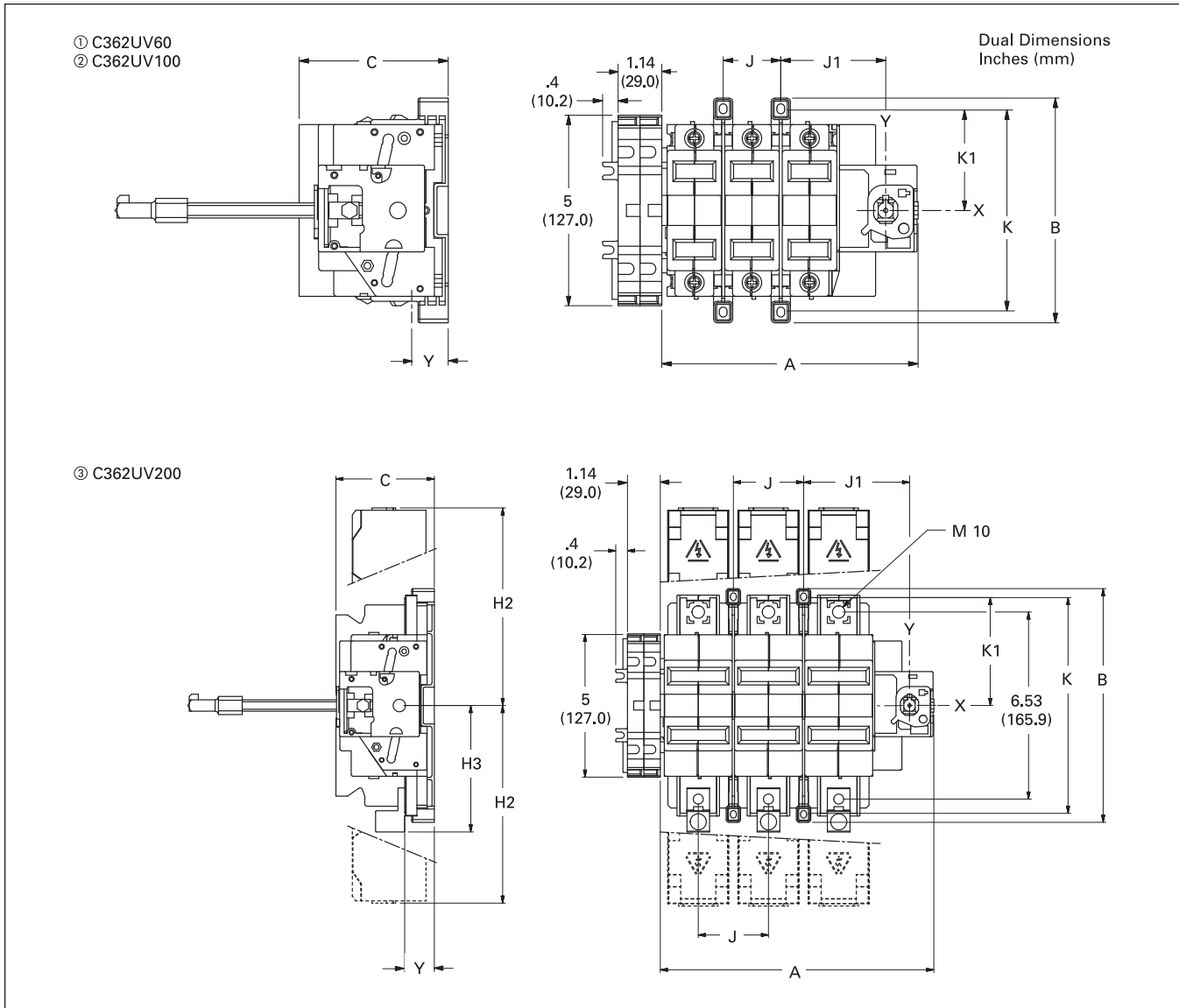


Figure 8-29. Non-fusible V-Frames — Approximate Dimensions in Inches (mm)

Table 8-122. Non-fusible V-Frames — Approximate Dimensions in Inches (mm)

Description	A	B	C	H	H1	H2	H3	J	J1	K	K1	Y
3-Pole ①	6.69 (169.9)	5.87 (149.1)	3.89 (98.8)	—	—	—	—	1.50 (38.1)	2.75 (69.9)	5.25 (133.4)	2.63 (66.8)	.95 (24.1)
3-Pole ②	6.69 (169.9)	5.87 (149.1)	3.89 (98.8)	—	—	—	—	1.50 (38.1)	2.75 (69.9)	5.25 (133.4)	2.63 (66.8)	.95 (24.1)
3-Pole ③	9.52 (241.8)	8.13 (206.5)	3.42 (86.9)	—	—	6.87 (174.5)	4.39 (111.5)	2.44 (62.0)	3.68 (93.5)	7.50 (190.5)	3.74 (95.0)	.95 (24.1)

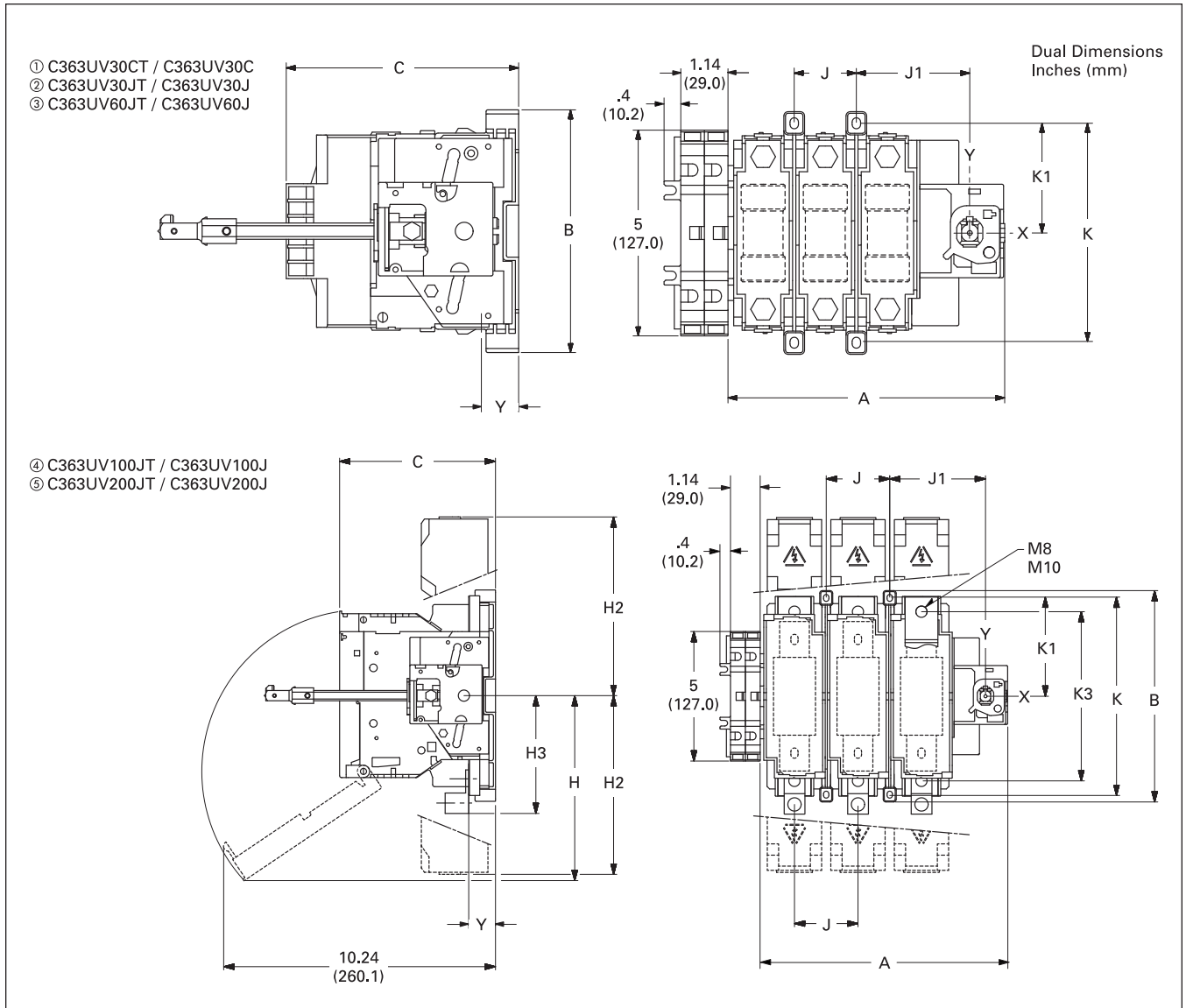


Figure 8-30. Fusible V-Frames — Approximate Dimensions in Inches (mm)

Table 8-123. Fusible V-Frames — Approximate Dimensions in Inches (mm)

Description	A	B	C	H	H2	H3	J	J1	K	K1	K3	Y
3-Pole ①	5.63 (143.0)	5.87 (149.1)	3.89 (98.8)	—	—	—	1.14 (29.0)	2.38 (60.5)	5.31 (134.9)	2.63 (66.8)	—	1.21 (30.7)
3-Pole ②	6.72 (170.7)	5.87 (149.1)	5.62 (142.7)	—	—	—	1.50 (38.1)	2.75 (69.9)	5.31 (134.9)	2.63 (66.8)	—	.95 (24.1)
3-Pole ③	6.72 (170.7)	5.87 (149.1)	5.62 (142.7)	—	—	—	1.50 (38.1)	2.75 (69.9)	5.31 (134.9)	2.63 (66.8)	—	.95 (24.1)
3-Pole ④	8.26 (209.8)	7.19 (182.6)	5.63 (143.0)	4.06 (103.1)	5.27 (133.9)	3.66 (93.0)	2.05 (52.1)	3.28 (83.3)	6.61 (167.9)	3.28 (83.3)	5.55 (141.0)	1.00 (25.4)
3-Pole ⑤	9.44 (239.8)	8.13 (206.5)	6.00 (152.4)	7.27 (184.7)	6.87 (174.5)	4.79 (121.7)	2.44 (62.0)	3.68 (93.5)	7.56 (192.0)	3.75 (95.3)	6.53 (165.9)	1.03 (26.2)

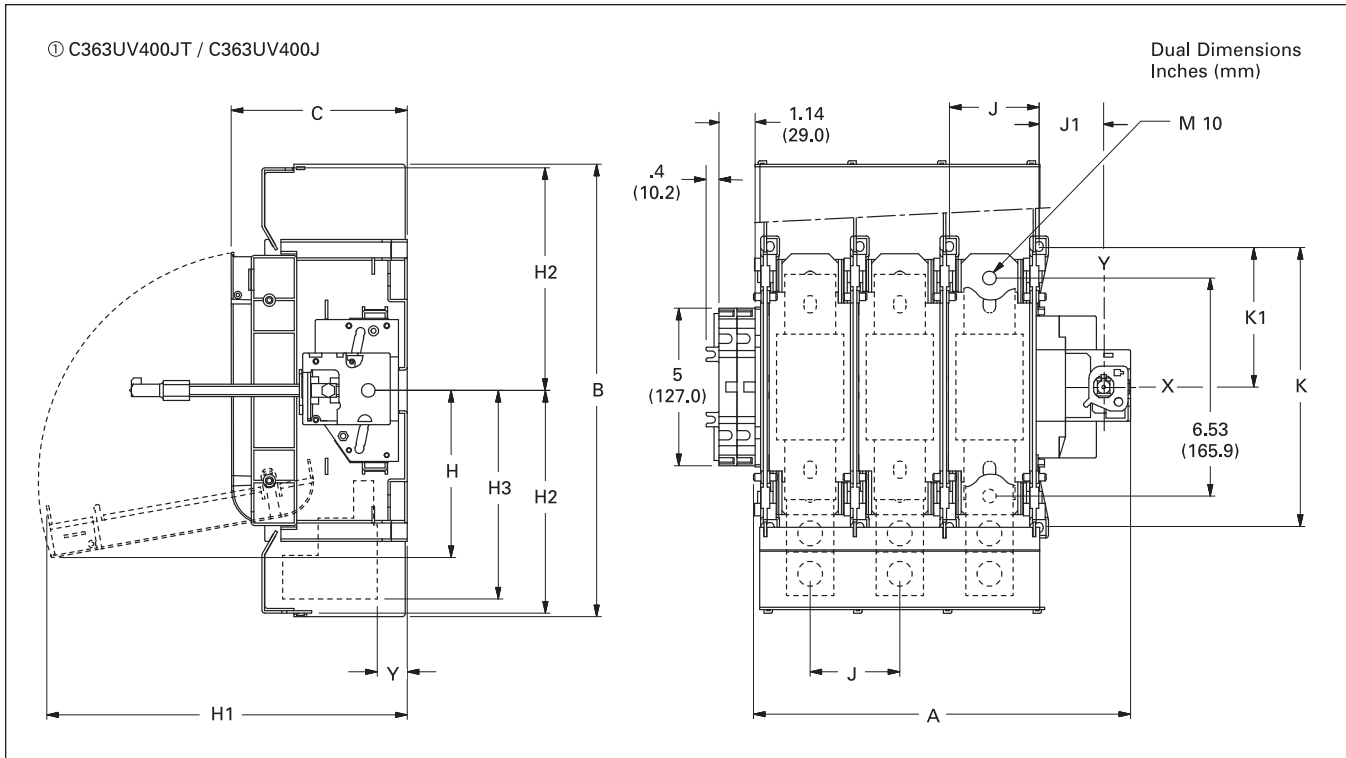


Figure 8-30. Fusible V-Frames — Approximate Dimensions in Inches (mm) (Continued)

Table 8-123. Fusible V-Frames — Approximate Dimensions in Inches (mm) (Continued)

Description	A	B	C	H	H1	H2	H3	J	J1	K	K1	Y
3-Pole ①	11.93 (303.0)	14.31 (363.5)	5.56 (141.2)	5.28 (134.1)	11.41 (289.8)	7.04 (178.8)	6.59 (167.4)	2.84 (72.1)	2.04 (51.8)	8.83 (224.3)	4.41 (112.0)	1.06 (26.9)

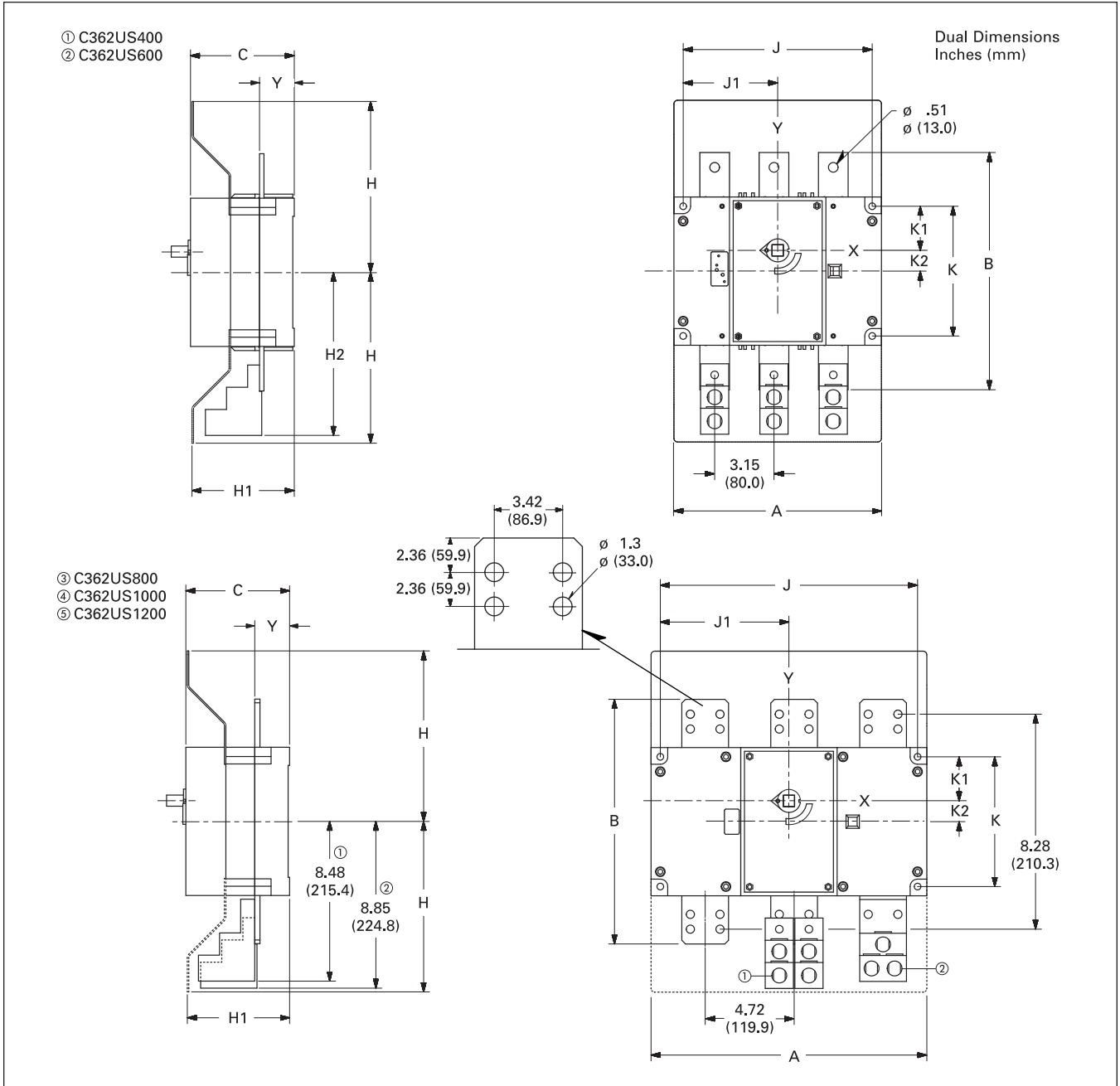


Figure 8-31. Non-fusible S-Frames — Approximate Dimensions in Inches (mm)

Table 8-124. Non-fusible S-Frames — Approximate Dimensions in Inches (mm)

Description	A	B	C	H	H1	H2	J	J1	K	K1	K2	Y
3-Pole ①②	11.02 (279.9)	12.60 (320.0)	5.51 (140.0)	9.05 (229.9)	5.43 (137.9)	8.66 (220.0)	11.04 (280.4)	5.00 (127.0)	6.88 (174.8)	2.34 (59.4)	1.10 (27.9)	1.85 (47.0)
3-Pole ③④⑤	14.64 (371.9)	13.00 (330.2)	5.51 (140.0)	9.05 (229.9)	5.43 (137.9)	—	13.66 (347.0)	6.83 (173.5)	6.88 (174.8)	2.34 (59.4)	1.10 (27.9)	1.85 (47.0)

① **C362US1200** when used with optional terminal lugs **CUS1200LN**.
 ② **C362US800** and **C362US1000** and when used with optional terminal lugs **CUS1000LN**.

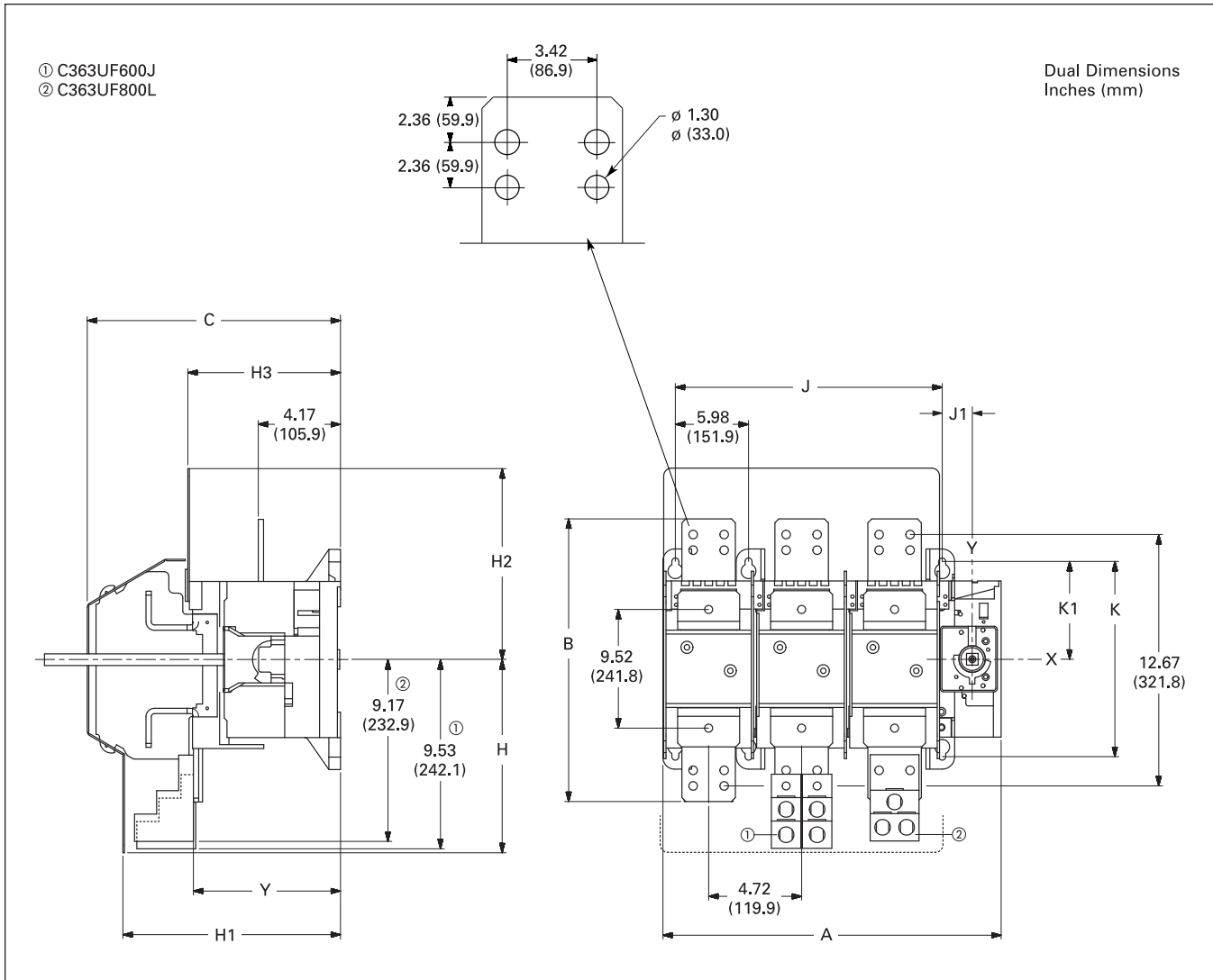


Figure 8-32. Fusible F-Frames — Approximate Dimensions in Inches (mm)

Table 8-125. Fusible F-Frames — Approximate Dimensions in Inches (mm)

Description	A	B	C	H	H1	H2	H3	J	J1	K	K1	Y
3-Pole ①②	17.18 (436.4)	14.25 (362.0)	12.87 (326.9)	9.74 (247.4)	11.06 (280.9)	8.66 (220.0)	7.75 (196.9)	13.58 (345.0)	1.51 (38.4)	9.84 (250.0)	4.92 (125.0)	7.48 (190.0)

① C363UF800L when used with optional terminal lugs CUS1000LN.

② C363UF600J when used with optional terminal lugs CUS600LN.

Handles — Dimensions in Inches (mm)

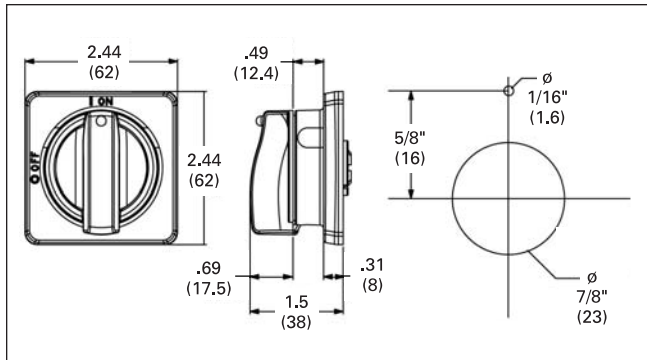


Figure 8-33. Selector Handle

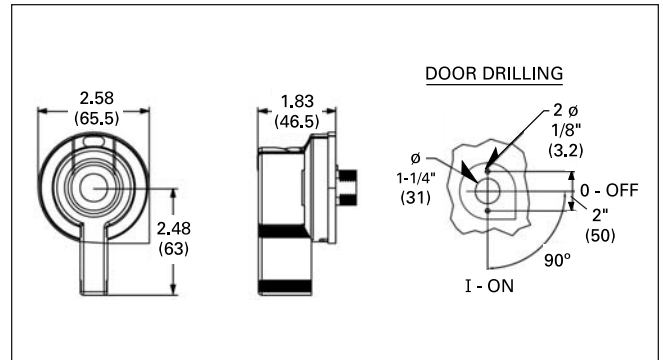


Figure 8-36. Pistol Handle — Type D

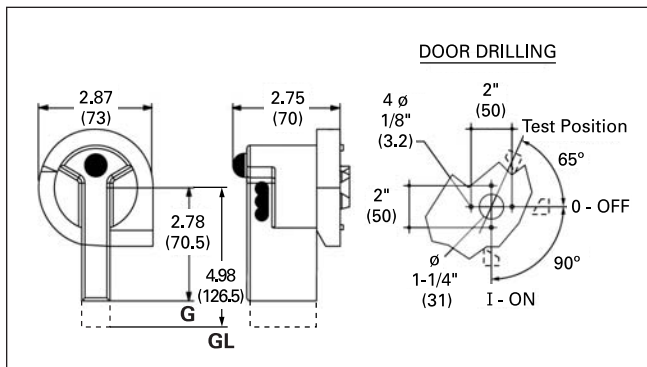


Figure 8-34. Pistol Handle — Type G and Type GL

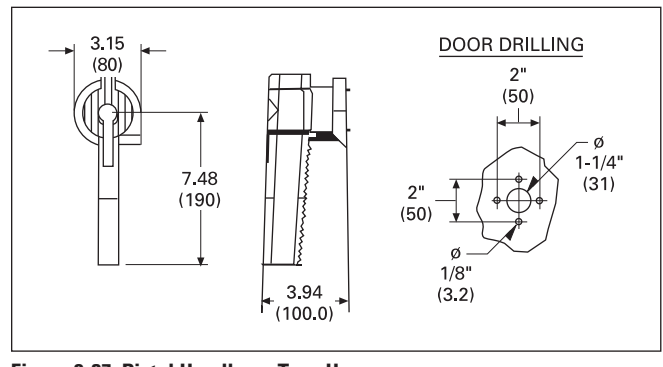


Figure 8-37. Pistol Handle — Type H

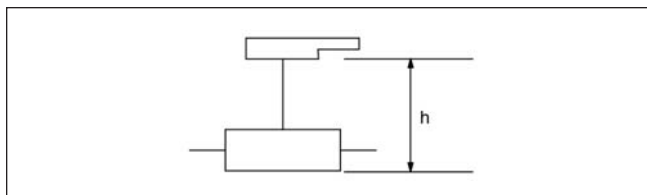


Figure 8-35. Mounting Depth

Table 8-126. Mounting Depth (h) in Figure 8-35 — Approximate Dimensions in Inches (mm)

Frame	Handle Type			
	M	D	G	H
M	3.00 (76)	3.76 (96)	3.78 (96)	—
R	3.00 (76)	3.76 (96)	3.78 (96)	—
W	3.27 (83)	3.94 (100)	3.94 (100)	—
C (CC or Non-fusible)	—	4.13 (105)	4.13 (105)	—
C (J-Class Fuse)	—	5.91 (150)	5.12 (130)	—
V (30A CC or Non-fusible)	—	—	3.94 (100)	—
V (30A J – 60A J)	—	—	6.10 (155)	—
V (60A – 200A Non-fusible)	—	—	4.53 (115)	—
V (100A J – 200A J)	—	—	6.50 (165)	—
V (400A J)	—	—	6.89 (175)	—
S (400A – 600A)	—	—	—	8.35 (212)
S (800A – 1200A)	—	—	—	8.35 (212)
F (600A – 800A J)	—	—	—	16.38 (416)

Product Selection

Product Selection — Switches

Catalog Ordering Information

When ordering specify

- Catalog Number of switch.
- Catalog Number of operating handle.
- Catalog Number of required shaft.
- Catalog Number of (optional) accessories.

Table 8-127. Non-fusible Switches — UL 508, UL 98 and UL 489 ①②③

Ampere Rating	Maximum 3-Phase Horsepower Rating		Catalog Number	Frame	Price U.S. \$
	240 V	480 V			

UL 508 / Rotary / Base Mounted (Low End)

16	2	7-1/2	C362NM16	M	
20	3	7-1/2	C362NM20	M	
25	5	10	C362NM25	M	
30	7-1/2	15	C362NM30	M	

UL 508 / Rotary / Base Mounted (High End)

30	7-1/2	15	C362NR30	R	
40	10	20	C362NR40	R	
60	15	30	C362NR60	R	
60	15	30	C362NW60	W	
80	20	40	C362NW80	W	
100	25	50	C362NW100	W	
125	25	50	C362NW125	W	

UL 508 / Toggle / Base Mounted

30	7-1/2	15	C362TR30	R	
40	10	20	C362TR40	R	
60	15	30	C362TW60	W	
80	20	40	C362TW80	W	
100	25	50	C362TW100	W	
125	25	50	C362TW125	W	

UL 508 / Rotary / Back or Door Mounted w/o Handle

16	2	7-1/2	C362NM16D	M	
20	3	7-1/2	C362NM20D	M	
25	5	10	C362NM25D	M	
30	7-1/2	15	C362NM30D	M	

UL 508 / Rotary / Back or Door Mounted w/o (Handle & Mounting Kit)

30	7-1/2	15	C362NR30	R	
40	10	20	C362NR40	R	
60	15	30	C362TW60	W	
80	20	40	C362TW80	W	
100	25	50	C362TW100	W	
125	25	50	C362TW125	W	

UL 508 / 4-Pole / Rotary & Toggle / Base Mounted

30	7-1/2	15	C462NR30	R	
40	10	20	C462NR40	R	
30	7-1/2	15	C462TR30	R	
40	10	20	C462TR40	R	

UL 98 and UL 489 / Rotary / Base Mounted

30	7-1/2	15	C362UC30	C	
400	125	250	C362US400	S	
600	250	500	C362US600	S	
800	250	500	C362US800	S	
1000	250	500	C362US1000	S	
1200	250	500	C362US1200	S	
60	15	30	C362UV60	V	
100	30	60	C362UV100	V	
200	60	125	C362UV200	V	

① Back / Door Mounting M Frame: Will need to order selector handle separately (see Accessories Table 8-129).

② Back / Door Mounting R & W Frame: Will need to order door mounting kit and selector handle separately (see Accessories Table 8-129).

③ Back / Door Mounting UL 98 switches cannot be back-of-door mounted.

Table 8-128. Fusible Switches — UL 98 and UL 489 ④

Ampere Rating	Maximum 3-Phase Horsepower Rating		Catalog Number	Frame	Price U.S. \$
	240 V	480 V			

UL 98 and UL 489 / Rotary / Base Mounted w/ Test

30	7-1/2	15	C363UC30CT	C	
30	7-1/2	15	C363UC30JT	C	
30	7-1/2	15	C363UV30CT	V	
30	7-1/2	15	C363UV30JT	V	
60	15	30	C363UV60JT	V	
100	30	60	C363UV100JT	V	
200	60	125	C363UV200JT	V	
400	125	250	C363UV400JT	V	

UL 98 / Rotary / Base Mounted

30	7-1/2	15	C363UV30C	V	
30	7-1/2	15	C363UV30J	V	
60	15	30	C363UV60J	V	
100	30	60	C363UV100J	V	
200	60	125	C363UV200J	V	
400	125	250	C363UV400J	V	
600	250	500	C363UF600J	F	
800	250	500	C363UF800L	F	

④ T suffix denotes test position is provided. Test handle is required only if test function is required.

Note: Enclosed Switches (see Catalog Page 8-34).

Note: Horsepower at 600 V or Canada, please contact your local Eaton sales representative.

Product Selection — Accessories

Table 8-129. UL 508 Accessories— M-, R-, W-Frames

Description		Catalog Number	Price U.S. \$
Back/Door 4th Pole Module for M-Frame		CM16FP CM20FP CM25FP	
Base Mounted 4th Pole Module for M-Frame		CM16BP CM20BP CM25BP	
Toggle Cover Plates	For use with C362TR30 & TR40 For use with C362TW60 – TW125 For use with C462TR30 & TR40	CRP3 CWP3 CRP4	
Auxiliary Contacts Kit (Holder and Contact)	1NO/1NC 3-Pole M-Frame (Base Mounted) 1NO/1NC 3-Pole M-Frame (Door Mounted) 1NO 3-Pole R-Frame 1NO 3-Pole W-Frame 1NO 4-Pole R-Frame	CMAC CMACD CRAC3 ① CWAC3 ① CRAC4 ①	
Auxiliary Contacts (Additional Contacts)	1NO 3-, 4-Pole R-, W-Frame 1NC 3-, 4-Pole R-, W-Frame	CRAB ① CRAA ①	
Unswitched Neutral for M-Frame Base Mounted Protective Earth Module for M-Frame Base Mounted Unswitched Neutral M-Frame Back/Door Mounted		CNMNB CNMPB CNMNF	
Protective Earth Module M-Frame Back/Door Mounted Extension Support		CNMPF C362SS1	
Replacement Brass Collar R- and W-Frames Replacement Blue Collar M-Frame		CRC CNMC	
Door Mounting Kit R- and W-Frames Rotary Switches		CTRFC	
Terminal Shroud 3-Pole M-Frame Terminal Shroud 4th Pole M-Frame		CM3S CM4S	

① The mechanism is reversed on these contacts.

Table 8-130. UL 98 Accessories — C-, S-, V-, F-Frames

Description		Catalog Number	Price U.S. \$
Auxiliary Contact Holders	V-Frame (for 1-8) C-Frame (for 5-8) ② S-Frame (for 1-4)	CUVU CUCU CUSU	
Auxiliary Contacts	1NO, Type U 1NC, Type U, C-, V-, S- & F-Frames	CUSAA CUSAB	
	1NO/NC, Type S-, V-Frames 2NO/NC, Type S-, V-Frames	CUVAC CUVAD	
	1NO/NC, Type ST for Fusible, V-Frame w/Test 2NO/NC, Type ST for Fusible, V-Frame w/Test	CUVXC CUVXD	
	1NO/NC, Type MS, F-Frame 2NO/NC, Type MS, F-Frame	CUFAC CUVAD	
Line-Side Terminal Shrouds for Non-fusible V- and S-Frames ③	④ 3-Pole, V-Frame (200 A)	C362ATS1 CUV200T	
	3-Pole, for Non-fusible S-Frame (400 – 600 A)	CUS600T	
	3-Pole, for Non-fusible S-Frame (800 – 1200 A)	CUS1200T	
Line-Side Terminal Shrouds for Fusible V- and F-Frames ⑤	3-Pole, for Fusible V-Frame (100 A)	CUV100T	
	3-Pole, V-Frame (200 A)	CUV200T	
	3-Pole, for Fusible V-Frame (400 A)	CUV400T	
	3-Pole, for Fusible F-Frame (600 & 800 A)	CUF800T	
Shorting Links for 3 Poles Fusible, V- and F-Frames ⑥	V-Frame (30 A) V-Frame (60 A) V-Frame (100 A)	CUV30SL CUV60SL CUV100SL	
	V-Frame (200 A) V-Frame (400 A) F-Frame (600 & 800 A)	CUV200SL CUV400SL CUF800SL	
	1 Wire/lug, Wire Size 12-2/0, for Fusible V-Frame (100 A) ⑦ 1 Wire/lug, Wire Size #6-3/0, V-Frame (200 A) ⑧ 2 Wires/lug, Wire Size 2-600, V-, S- & F-Frames (400 & 600 A) ⑧	CUV100LN CUV200LN CUS600LN	
	2 Wires/lug, Wire Size 2-600, S- & F-Frames (800 – 1200 A) ⑧	CUS1200LN	

- ② C-Frames hold 1 – 4 Auxiliary Contacts without Holder.
- ③ Load-side terminal shrouds provided as standard on all ratings. Line-side terminal shrouds standard on C- and V-Frames up through 100 A.
- ④ Discontinued. Standard on C- and V-Frames up through 100 A.
- ⑤ Load-side terminal shrouds provided as standard on all ratings. Line-side terminal shrouds standard on fusible switches up through 60 A.
- ⑥ Kit of 3.
- ⑦ Standard on Fusible up through 60A and Non-fusible up through 100 A.
- ⑧ Kit of 6.

Product Selection — Handles and Shafts

Table 8-131. Handles and Shafts



Black Selector Handle

Red/Yellow Selector Handle

Selector Shafts

NEMA Rating	Defeatable	Padlockable	Color	Operation	IEC Type	Dimensions		Catalog Number	Price U.S. \$
						Inches	mm		

Selector Handle for Type CSSA __ Shaft and M-, R- and W-Frames or CSCSA __ Shaft and C-Frames

1	No	No	Black	ON/OFF	IP54	①	—	C5BR5	
1, 3R, 12	No	Yes	Red/Yellow	ON/OFF, I/O	IP65	—	—	C5YR6	
1, 3R, 12	No	Yes	Black	ON/OFF, I/O	IP65	—	—	C5BR6	

Rotary Switch Selector Shaft 5 x 5 mm (For Selector Handle and M-, R- and W-Frames)

						2.2	55	C5SA055	
						4.3	110	C5SA110	
						5.9	150	C5SA150	
						7.1	180	C5SA180	
						7.9	200	C5SA200	
						11.8	305	C5SA300	

Rotary Switch Selector Shaft 5 x 5 mm (For Selector Handle and C-Frames)

						4.7	120	C5CSA120	
						7.9	200	C5CSA200	
						11.8	300	C5CSA320	
						15.7	400	C5CSA400	



Black Pistol Handle (Type D)

Red/Yellow Pistol Handle (Type D)

Type D Pistol Shafts

NEMA Rating	Defeatable	Padlockable	Color	Operation	IEC Type	Dimensions		Catalog Number	Price U.S. \$
						Inches	mm		

Pistol Handle Type D (For use with CPDSA __ Shafts and M-, R- and W-Frames)

1, 3R, 12	No	Yes	Black	ON/OFF, I/O	IP54	①	—	CPBR5N	
1, 3R, 12	No	Yes	Red/Yellow	ON/OFF, I/O	IP54	—	—	CPYR5N	
1, 3R, 12	Yes	Yes	Black	ON/OFF, I/O	IP54	—	—	CPBR5D	
1, 3R, 12	Yes	Yes	Red/Yellow	ON/OFF, I/O	IP54	—	—	CPYR5D	

Type D Shafts 5 x 5 mm (For use with Type D Pistol Handles and M-, R- and W-Frames)

						4.7	120	CPDSA120	
						7.9	200	CPDSA200	
						12.6	320	CPDSA320	
						15.7	400	CPDSA400	

Direct Handle M-Frame (For Direct Mounting — No Separate Shaft Required)

1, 3R, 12	No	Yes	Black	ON/OFF	IP54	①	—	CNMBH	
-----------	----	-----	-------	--------	------	---	---	-------	--

Direct Handle R-, W-Frames (For Direct Mounting — No Separate Shaft Required)

1, 3R, 12	No	Yes	Black	ON/OFF	IP54	①	—	CDRR3	
1, 3R, 12	No	Yes	Black	ON/OFF	IP54	—	—	CDRW3	
1, 3R, 12	No	Yes	Black	ON/OFF	IP54	—	—	CDRR4	

① Please refer to Page 8-85.

Discount Symbol 1CD7

Accessories

Table 8-131. Handles and Shafts (Continued)



NEMA Rating	Defeatable	Padlockable	Color	Operation	IEC Type	Dimensions		Catalog Number	Price U.S. \$
						Inches	mm		

Pistol Handle Type G (For use with M-, R-, W- and C-Frames with 5 x 5 shaft and V-Frame below 100 A with 10 x 10 shaft)

1, 3R, 12	Yes	Yes	Black	ON/OFF, I/O	IP54	①	—	CPBR5	
1, 3R, 12	Yes	Yes	Red/Yellow	ON/OFF, I/O	IP54	—	—	CPYR5	
1, 3R, 12, 4, 4X	Yes	Yes	Black	ON/OFF, I/O	IP65	—	—	CPBW6	
1, 3R, 12, 4, 4X	Yes	Yes	Red/Yellow	ON/OFF, I/O	IP65	—	—	CPYW6	
1, 3R, 12, 4, 4X	Yes	Yes	Black	TEST/ON/OFF	IP65	①	—	CPBW6T	
1, 3R, 12, 4, 4X	Yes	Yes	Red/Yellow	TEST/ON/OFF	IP65	—	—	CPYW6T	

Long Pistol Handle Type GL (For use with V-Frame 100 A and above with 10 x 10 shaft)

1, 3R, 12	Yes	Yes	Black	ON/OFF, I/O	IP54	①	—	CPBVR5	
1, 3R, 12	Yes	Yes	Red/Yellow	ON/OFF, I/O	IP54	—	—	CPYVR5	
1, 3R, 12, 4, 4X	Yes	Yes	Black	ON/OFF, I/O	IP65	—	—	CPBVW6	
1, 3R, 12, 4, 4X	Yes	Yes	Red/Yellow	ON/OFF, I/O	IP65	—	—	CPYVW6	
1, 3R, 12	Yes	Yes	Black	TEST/ON/OFF	IP65	—	—	CPBVW6T	
1, 3R, 12	Yes	Yes	Red/Yellow	TEST/ON/OFF	IP65	—	—	CPYVW6T	

Type G Shafts 5 x 5 mm (For use with Type G Pistol Handle and M-, R- and W-Frames)

						4.7	120	CPGSA120	
						7.9	200	CPGSA200	
						12.6	320	CPGSA320	
						15.7	400	CPGSA400	

Type G Shafts 5 x 5 mm (For use with Type G Pistol Handle and C-Frames)

						4.7	120	CPGCSA120	
						7.9	200	CPGCSA200	
						12.6	320	CPGCSA320	
						15.7	400	CPGCSA400	

Type G Shafts 10 x 10 mm (For use with Type G and GL Pistol Handles and V-Frames)

						7.9	200	CPGSB200	
						12.6	320	CPGSB320	
						15.7	400	CPGSB400	



**Pistol Handle
(Type H)**

NEMA Rating	Defeatable	Padlockable	Color	Operation	IEC Type	Dimensions		Catalog Number	Price U.S. \$
						Inches	mm		

Pistol Handle Type H (For use with S-Frames with 15 x 15 shaft)

1, 3R, 4, 4X, 12	Yes	Yes	Black	ON/OFF, I/O	IP65	①	—	CPBSW6D	
1, 3R, 4, 4X, 12	Yes	Yes	Red/Yellow	ON/OFF, I/O	IP65	—	—	CPYSW6D	
1, 3R, 4, 4X, 12	No	Yes	Black	ON/OFF, I/O	IP65	—	—	CPBSW6N	
1, 3R, 4, 4X, 12	No	Yes	Red/Yellow	ON/OFF, I/O	IP65	—	—	CPYSW6N	

Pistol Handle Type H (For use with F-Frames with 15 x 15 shaft)

1, 3R, 4, 4X, 12	Yes	Yes	Black	ON/OFF, I/O	IP65	①	—	CPBFW6D	
1, 3R, 4, 4X, 12	Yes	Yes	Red/Yellow	ON/OFF, I/O	IP65	—	—	CPYFW6D	
1, 3R, 4, 4X, 12	No	Yes	Black	ON/OFF, I/O	IP65	—	—	CPBFW6N	
1, 3R, 4, 4X, 12	No	Yes	Red/Yellow	ON/OFF, I/O	IP65	—	—	CPYFW6N	

Type H Shafts 15 x 15 mm (For use with Type H Pistol Handles and S- and F-Frames)

						7.9	200	CPHSC200	
						15.7	400	CPHSC400	

① Please refer to **Page 8-85**.

Type DS, Fusible and Non-fusible

Product Description

Type DS Disconnect is a compact load break switch using the DE-ION arc quenching principle and quick make-quick break over center toggle mechanism. It has visible contacts, is Underwriters Laboratories listed, and is available either as a fusible or non-fusible switch.

Note: Switches through 200 amperes are UL listed as miscellaneous switches; 400 and 600 ampere switches are recognized under the component program of Underwriters Laboratories.

Standards and Certifications

- UL 98
- CSA (See **Table 8-138**)

Application Description

Maximum switch-fuse application based on short circuit current withstand (symmetrical amperes).

Table 8-132. Short Circuit Ratings

Switch Rating Amperes	Maximum Application at 240, 480 or 600 Vac	
	Class R Fuses	Current Limiting Fuse Class J
30	200,000	200,000
60	200,000	200,000
100	200,000	200,000
200	200,000	200,000
400	100,000 ①	200,000
600	100,000 ①	200,000

① 480 Volts Maximum

Technical Data and Specifications

Table 8-133. Maximum Horsepower

Type Switch	Maximum Horsepower Ratings								
	120 Vac		240 Vac		480 Vac		600 Vac		250 Vdc
	Standard	Time Delay	Standard	Time Delay	Standard	Time Delay	Standard	Time Delay	
DS16U	5	—	10	—	20	—	25	—	7-1/2
DS121R	1-1/2	3	3	7-1/2	—	—	—	—	5
DS122	3	—	7-1/2	—	—	—	—	—	5
DS161R	—	—	—	—	5	15	7-1/2	20	5
DS162	—	—	—	—	15	—	15	—	5
DS26U	10	—	20	—	40	—	60	—	15
DS222R	3	7-1/2	7-1/2	15	—	—	—	—	10
DS262R	—	—	—	—	15	30	15	50	10
DS263	—	—	15	—	25	—	30	—	10
DS36U	15	—	30	—	75	—	75	—	25
DS363R	—	—	15	30	25	60	30	75	20
DS364	—	—	25	—	50	—	60	—	20
DS46U	—	—	60	—	125	—	150	—	40
DS464R	—	—	25	60	50	125	60	150	40
DS465	—	—	50	60	100	—	100	—	40
DS56U	—	—	100	—	250	—	350	—	—
DS565R	—	—	50	100	100	250	125	350	—
DS66U	—	—	100	—	400	—	500	—	—
DS666R	—	—	75	100	150	400	200	500	—

Table 8-134. Terminal Data

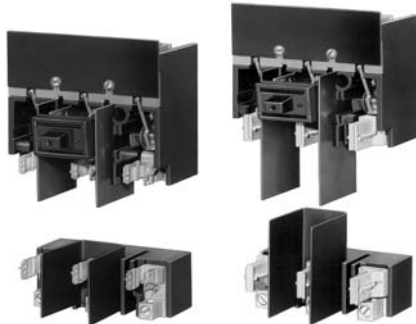
Switch Rating	Wire Range	
	Copper	Aluminum
30	#14 – #2	#12 – #2
60	#14 – #2	#12 – #2
100	#14 – 1/0	#12 – 1/0
200	#4 – 300 kcmil	#4 – 300 kcmil
400	(1) #4 – 600 kcmil or (2) 1/0 – 3/0	(1) #4 – 600 kcmil or (2) 1/0 – 250 kcmil
600	Same as 400A except two terminals per pole	—

Note: Terminals are suitable for either copper or aluminum cable.

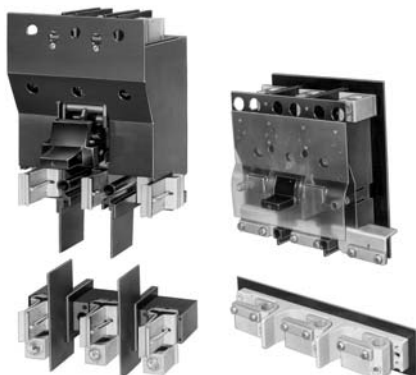
8



100 and 200 Ampere Non-fusible



30 and 100 Ampere Fusible



200 and 400 Ampere Fusible

Options and Accessories

Base Mounting Hardware

Note: Order separately when required. No charge when ordered with switch.

Table 8-135. Base Mounting Hardware

Description	Catalog Number	Price U.S. \$
30, 60, 100 Ampere Non-fusible	624B375G17	
30, 60, 100 Ampere Fusible	624B375G17	
200 Ampere Non-fusible	624B375G07	
200 Ampere Fusible	624B375G08	
400 or 600 Ampere Non-fusible	673B125G04	
400 or 600 Ampere Fusible	673B125G05	

① Please contact your local Eaton sales office.

Auxiliary Switch Kits

Note: Permits field mounting of an auxiliary switch for separate control circuit applications. Each switch includes three soldered, identified leads. Rated 250 volts max.

Table 8-136. Auxiliary Switch Kits

Switch Used With	Contact Arrangement	Kit Catalog Number	Price U.S. \$
30, 60, 100 Amperes	1A-1B	178C265G05	
30, 60, 100 Amperes	2As-2Bs	178C265G06	
200 Amperes	1A-1B	178C619G01	
200 Amperes	2As-2Bs	178C619G02	

Table 8-137. Class R Fuse Clip Conversion Kits for Type DS Switches

Switch Rating		Kit Catalog Number	Price U.S. \$ ②
Amperes	Volts		
30	250	RFK121	
30	600	RFK161	
60	250	RFK222	
60	600	RFK262	
100	250/600	RFK464	
200	250/600	RFK464	
400	250/600	RFK666	
600	250/600	RFK666	

② Discount Symbol **CB-15**.

Product Selection

Table 8-138. Switch Ordering Information

Switch Rating	Fuse Clip Rating		Catalog Number ④⑤	Price U.S. \$
	Ampere	Type Volts ③		
30	No Fuse ④	—	DS16U	
30	30	NEC 250	DS121R	
30	30	NEC 600	DS161R	
30	60	NEC 250	DS122	
30	60	NEC 600	DS162	
60	No Fuse ⑥	—	DS26U	
60	60	NEC 250	DS222R	
60	60	NEC 600	DS262R	
60	100	NEC 250/600	DS263	
100	No Fuse ⑥	—	DS36U	
100	100	NEC 250/600	DS363R	
100 ⑦	200	NEC 250/600	DS364	
200	No Fuse ⑥	—	DS46U	
200	200	NEC 250/600	DS464R	
200 ⑦⑧	400	NEC 250/600	DS465	
400	No Fuse ⑥	—	DS56U	
400	400	NEC 250/600	DS565R	
600	No Fuse ⑥	—	DS66U	
600	600	NEC 250/600	DS666R	

③ 600 volt ratings are suitable for Class J fuses.

④ Switches with Catalog Number Suffix **R** are UL listed for use with Class R fuses when fuse clip conversion kits shown on this page are used.

⑤ Switches with Catalog Number Suffix **R** or **U** are CSA listed.

⑥ Rated 600 volts.

⑦ Supplied as unfused switch with separate fuse blocks.

⑧ Not listed with Underwriters Laboratories.

Further Information:

Technical Data	29-420
Dimensions and Drilling Plans.....	DS 29-470
30, 60, 100A Instruction Leaflet	I.L. 14857C
30, 60, 100A Auxiliary Switch	
Instruction Leaflet	I.L. 14471C
200A Instruction Leaflet	I.L. 15014A
200A Auxiliary Switch	
Instruction Leaflet	I.L. 14486A
Handle Mechanisms	TD 29-520
Discount Symbol Table 8-137.....	CB-15
Discount Symbol	CB-2

Type Visi-Flex DE-ION

Product Description

Complete Model A Switch styles with fuse or non-fuse kits mounted are listed with Underwriters Laboratories. Refer to "Electrical Construction Materials List," Miscellaneous Switches. Switches only, no fuse, fuse clip kit and all Model T switches are recognized under the component program of Underwriters Laboratories. The external operating handle of Model A can be padlocked in the OFF position with up to 3 padlocks.

Standards and Certifications

- UL 98

Terminal Data

- 30, Spec. 60 Ampere Switches:
#14 – #4 Cu Cable Only
- 60, 100 Ampere Switches
#14 – 1/0 Cu Cable Only

Technical Data and Specifications

Table 8-139. Maximum Horsepower Ratings

Fuse Clip Ratings	Maximum Horsepower Ratings								
	120 Vac		240 Vac		480 Vac		600 Vac		250 Vdc
	Standard	Time Delay	Standard	Time Delay	Standard	Time Delay	Standard	Time Delay	

30 Ampere Switch

Unfused	3	—	7-1/2	—	20	—	25	—	5
30 A/250 V	1-1/2	3	3	7-1/2	—	—	—	—	5
60 A/250 V	3	—	5	—	—	—	—	—	5
100 A/250 V	3	—	5	—	—	—	—	—	5
30 A/600 V	—	—	—	—	5	15	7-1/2	20	5
60 A/600 V	—	—	—	—	15	—	20	—	5

60 Ampere Switch (and Special 60 Ampere Switch)

Unfused	7-1/2	—	20	—	40	—	50	—	10
30 A/250 V	1-1/2	3	3	7-1/2	—	—	—	—	5
60 A/250 V	3	7-1/2	7-1/2	15	—	—	—	—	10
100 A/250 V	—	—	15	—	—	—	—	—	10
200 A/250 V ①	—	—	15	—	—	—	—	—	—
30 A/600 V	—	—	—	—	5	15	7-1/2	20	5
60 A/600 V	—	—	—	—	15	30	15	50	10
100 A/600 V ①	—	—	15	—	25	30	30	50	10

100 Ampere Switch

Unfused	15	—	30	—	60	—	75	—	20
30 A/250 V	1-1/2	3	3	7-1/2	—	—	—	—	5
60 A/250 V	3	7-1/2	7-1/2	15	—	—	—	—	10
100 A/250 V	15	15	15	30	—	—	—	—	20
200 A/250 V	15	15	15	30	—	—	—	—	20
30 A/600 V	—	—	—	—	5	15	7-1/2	20	—
60 A/600 V	—	—	—	—	15	30	15	50	—
100 A/600 V	—	—	—	—	25	60	30	75	—
200 A/600 V	—	—	—	—	25	60	30	75	—

① Does not apply to special 60 ampere switch since these fuse clips cannot be added.

Options and Accessories

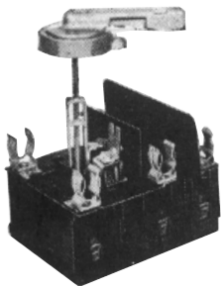
Table 8-140. Fuse Kits and Shaft

Description	Catalog Number	Price U.S. \$
No Fuse Kits (For Models A or T)		
30, Special 60 Ampere Switches	313C590G14	
60, 100 Ampere Switches	313C363G11	
Model A External Operating Handle	504C323G07	
Model A Standard Shaft		
30, Special 60 Ampere Switches	2607D64G01 ②	
60, 100 Ampere Switches	2607D65G01 ③	

② For use with panels 5.06 – 8.19 inches (128.5 – 208.0 mm) deep.

③ For use with panels 5.19 – 9.97 inches (131.8 – 253.2 mm) deep.

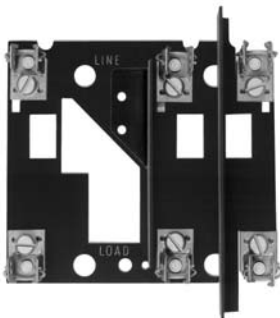
8



Model A



Model T



Fuse Clip Kit



No Fuse Kit

Discount Symbol **CB-2**

Type Visi-Flex DE-ION

Table 8-141. Auxiliary Switch Kits for Model A and T Switches

Note: Permits field mounting of an auxiliary switch for separate control circuit applications. Provides a SPDT switch with 1A and/or 1B contacts. Includes three identified 18-inch soldered leads.

For Use With	Complete Kit Catalog Number	Price U.S. \$
30 and Special 60 Ampere Switch	315C293G01 ①	
60 and 100 Ampere Switch	315C293G01 ①	

① Order Instruction Sheet 12641.

Table 8-142. Extra Long Vari-Depth Shaft For Model A Switches

Note: Order in place of standard shaft when required.

Switch Ampere Rating	Panel Depth in Inches (mm) Long Shaft	Catalog Number	Price U.S. \$
30	8.19 – 13.06 (208.0 – 331.7) ②	2607D65G02	
Special 60	8.19 – 13.06 (208.0 – 331.7) ②	2607D65G02	
60	9.41 – 14.3 (239.0 – 358.9)	2607D65G02	
100	9.41 – 14.3 (239.0 – 358.9)	2607D65G02	

② For panel depth of 8.19 – 9.94 inches (208.0 – 252.5 mm), a minimum of 1.75 inch must be cut from bottom of shaft.

Product Selection

Table 8-143. Switch Ordering Information

Continuous Ampere Rating	Fuse or No-Fuse Kit (see photos Page 8-92)	Model A, Adjustable Depth			Model T, Toggle Operated		Fuse Clip Kits for Model A or T NEC and Standard Time Delay ⑥⑦ (No-Fuse Kit — See Below)				
		Complete Unit Catalog Number ③	Switch Only ④		Switch Only ⑤		Clips for Class K or H Fuses		Clips for Class R Fuses Only		
		Catalog Number	Catalog Number	Price U.S. \$	Catalog Number	Price U.S. \$	Catalog Number	Price U.S. \$	Catalog Number	Price U.S. \$	
30	No Fuse ⑧ 30 A/250 V 60 A/250 V	2607D89G01	2607D63G02		371D392G02		—		—		
		2607D89G02	2607D63G01		371D392G01		313C590G08		1226C94G01		
		2607D89G03	2607D63G01		371D392G01		313C590G09		1226C94G03		
	100 A/250 V 30 A/600 V 60 A/600 V	2607D89G04	2607D63G01		371D392G01		313C590G13		1226C94G05		
		2607D89G05	2607D63G01		371D392G01		313C590G10		1226C94G02		
		2607D89G06	2607D63G01		371D392G01		313C590G11		1226C94G04		
Special 60 ⑨	No Fuse ⑧ 30 A/250 V 60 A/250 V	2607D89G07	2607D63G06		371D392G06		—		—		
		2607D89G08	2607D63G05		371D392G05		313C590G08		1226C94G01		
		2607D89G09	2607D63G05		371D392G05		313C590G09		1226C94G03		
	100 A/250 V 30 A/600 V 60 A/600 V	2607D89G10	2607D63G05		371D392G05		313C590G13		1226C94G05		
		2607D89G11	2607D63G05		371D392G05		313C590G10		1226C94G02		
		2607D89G12	2607D63G05		371D392G05		313C590G11		1226C94G04		
60 ⑩	No Fuse ⑧ 30 A/250 V 60 A/250 V	2607D90G01	2607D66G14		657D780G12		—		—		
		2607D90G02	2607D66G13		657D780G11		177C880G23		1226C94G06		
		2607D90G03	2607D66G13		657D780G11		177C880G12		1226C94G08		
	100 A/250 V 200 A/250 V 30 A/600 V	2607D90G04	2607D66G13		657D780G11		177C880G13		1226C94G10		
		2607D90G05	2607D66G13		657D780G11		177C880G14		—		
		2607D90G06	2607D66G13		657D780G11		177C880G24		1226C94G07		
	60 A/600 V 100 A/600 V	2607D90G07	2607D66G13		657D780G11		177C880G15		1226C94G09		
		2607D90G08	2607D66G13		657D780G11		177C880G16		1226C94G11		
		—	—		—		—		—		
	100	No Fuse ⑧ 60 A/250 V 100 A/250 V	2607D91G07	2607D66G18		657D780G16		—		—	
			2607D91G08	2607D66G17		—		177C880G12		1226C94G08	
			2607D91G09	2607D66G17		657D780G15		177C880G13		1226C94G10	
200 A/250 V 60 A/600 V 100 A/600 V		2607D91G10	2607D66G17		657D780G15		177C880G14		—		
		2607D91G11	2607D66G17		—		177C880G15		1226C94G09		
		2607D91G12	2607D66G17		657D780G15		177C880G16		1226C94G11		
200 A/600 V		2607D91G13	2607D66G17		657D780G15		177C880G18		—		
		—	—		—		—		—		
		—	—		—		—		—		

③ Model A shipped as basic switch, operating handle, shaft and fuse or no-fuse kit. Model T shipped as basic switch and fuse or no-fuse kit.

④ External operating handle, shaft and fuse or no-fuse kit required.

⑤ Fuse or no-fuse kit required.

⑥ Includes fuse clips and Micarta barriers.

⑦ Will also accept non-rejection type current limiting fuses:
Bussman: 15 – 60 ampere type KTN and KTS (ferrule type), 65 – 200 ampere type KTN and KTS (blade type)
Chase Shawmut: 15 – 60 ampere type 1 (ferrule type), 65 – 200 ampere type 3 (blade type)
Federal Pacific Electric: 15 – 200 ampere types NCL and SCL

⑧ Rated 600 volts.

⑨ Special 60 ampere switch has same dimension as 30 ampere Visi-Flex switch. Standard 60 ampere switch has same dimension as 100 ampere Visi-Flex Switch.

Type Visi-Flex DE-10N

Special Switches and Fuse Clips

Table 8-144. Visi-Flex Switches with Auxiliary Switch Internally Mounted

Note: Basic switch only. Also order no-fuse kit, fuse kit, operating handle and shaft as required.

Ampere Rating	Catalog Number (for use without fuses)	Price U.S. \$	Catalog Number (for use with fuses)	Price U.S. \$
Model A				
30	2607D63G04		2607D63G03	
Special 60	2607D63G08		2607D63G07	
60	2607D66G16		2607D66G15	
100	2607D66G20		2607D66G19	
Model T				
30	371D392G04		371D392G03	
Special 60	371D392G08		371D392G07	
60	657D780G14		657D780G13	
100	657D780G18		657D780G17	

Special Fuse Kits

Table 8-145. Current Limiting, Class J

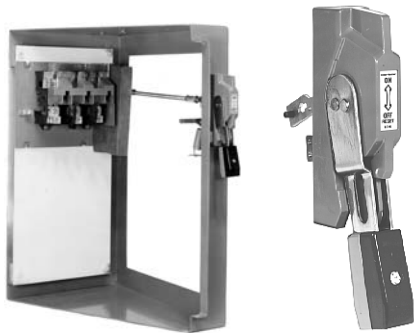
Note: For Model A and/or T switches. Order in place of standard fuse clips.

Switch Type, Rating	Fuse Kit		
	Rating	Catalog Number	Price U.S. \$
Model A			
30 Special 60	30 A/600 V	503C690G01	
	60 A/600 V	503C690G02	
	100 A/600 V	503C690G03	
60 100	30 A/600 V	503C690G15	
	60 A/600 V	503C690G16	
	100 A/600 V	503C690G17	
	200 A/600 V	503C690G18	
Model T			
30 Special 60	30 A/600 V	503C690G04	
	60 A/600 V	503C690G05	
	100 A/600 V	503C690G06	
60 100	30 A/600 V	503C690G19	
	60 A/600 V	503C690G20	
	100 A/600 V	503C690G21	
	200 A/600 V	503C690G22	

Further Information

Technical Data	29-420
Dimension Sheet	29-470
30, Special 60A Model A Drilling Instructions	I.L. 15051
60, 100A Model A Drilling Instructions	I.L. 15052A
30, Special 60, 100A Model A & T Auxiliary Switch	I.L. 12641C
60, 100A Model A & T Fuse Kit	I.S. 12565C
No Fuse Kit Cover Mounting	I.S. 12942B
Fuse Clip Kits for Class R (1226C94G01-G05)	I.L. 15491
Fuse Clip Kits for Class R (1226C94G06-G11)	I.L. 15492
200 Ampere Instruction Leaflet	I.L. 12505
Discount Symbol	CB-2

Product Description



Complete Operating Mechanism — C361NE1

Handle Only — C361H1

Type C361 Disconnect Switches are suitable for installation in control enclosures having a right-hand flange. Fusible disconnect switches will accept R fuses as standard. Field installable rejection kits are supplied as standard on 100 and 200 ampere clips. For 30 and 60 ampere rejection clips, see footnote ②. The switch is UL component recognized for use on systems with up to 200,000 rms symmetrical amperes available fault current when Class R clips are supplied.

Standards and Certifications

- UL — Component File E55492
- CSA — LR353-439

Technical Data and Specifications

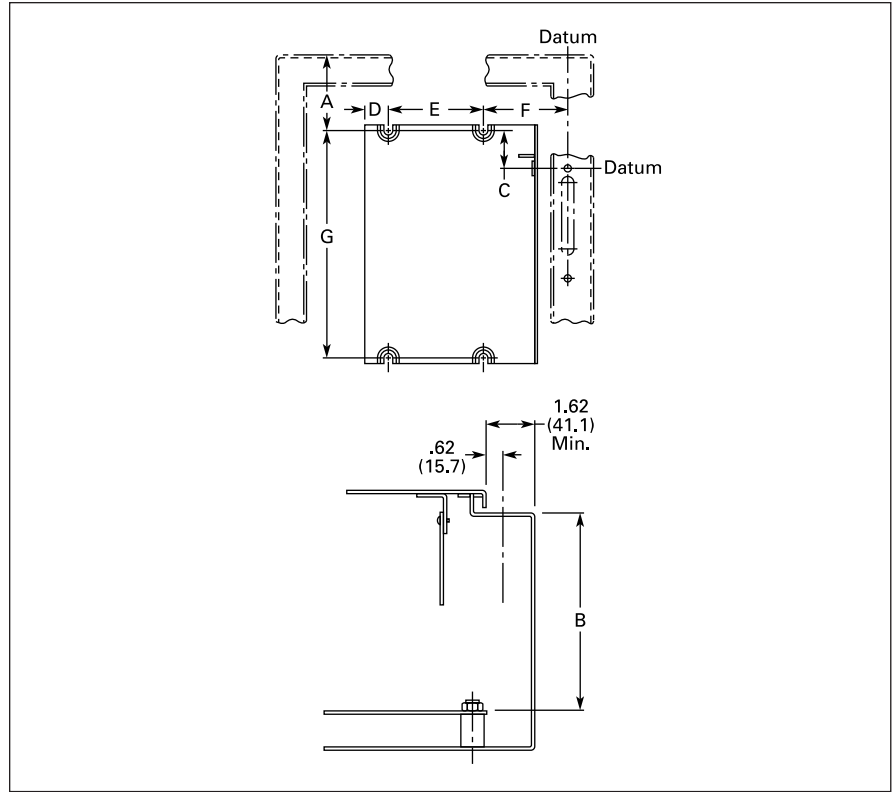


Figure 8-38. Mounting Dimension Requirements

Table 8-146. Mounting Dimension Requirements in Inches (mm)

Disconnect Switch Type	A	B	C	D	E	F	G
30 A and 60 A Non-fusible	See Dimensions Below	See Dimensions Below	1.56 (39.6)	.96 (24.4)	4.00 (101.6)	3.50 (88.9)	7.12 (180.8)
30 A and 60 A Fusible			1.56 (39.6)	.96 (24.4)	4.00 (101.6)	3.50 (88.9)	9.75 (247.7)
100 A Non-fusible			1.75 (44.5)	1.10 (27.9)	5.50 (139.7)	3.38 (85.9)	7.12 (180.8)
100 A Fusible			1.75 (44.5)	1.10 (27.9)	5.50 (139.7)	3.38 (85.9)	11.88 (301.8)
200 A Non-fusible and Fusible			3.34 (84.8)	0.63 (16.0)	8.50 (215.9)	1.84 (46.7)	15.50 (393.7)

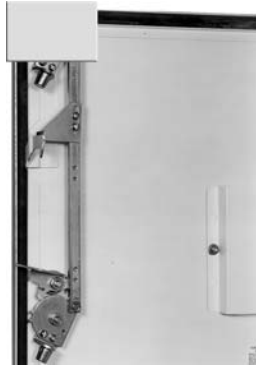
Table 8-147. Line Lug Data

Disconnect Switch Size	Wire Size
30 Ampere	#2 – 14 Cu/Al
60 Ampere	#2 – 14 Cu/Al
100 Ampere	1/0 – 14 Cu/Al
200 Ampere	250 kcmil – #6 Cu/Al

Dimension A = The required wire bending spacing selected from Article 430-10 of the National Electrical Code.

Dimension B = Minimum or maximum depth from inside of flange holding operating handle to panel where Disconnect Switch is mounted. (Variable 7 to 16 inches.)

Accessories



NEMA 12 Safety Door Hardware

These kits are designed for use with small enclosures up to 40 inches (1016 mm), intermediate 40 – 60 inches (1016 – 1524 mm) or larger floor cases over 60 inches (1524 mm) to provide enclosure sealing and protection against unauthorized entry. These kits can be used on enclosure flanges with material thickness ranging from 16 gauge through 3/16 inches with flanges on the right side only. Door hardware kits are to be installed in a commercially available enclosure. Consult the enclosure manufacturer application data for proper kit selection.

Table 8-148. Type C361 NEMA 12 Safety Door Hardware

Handle Length (Inches)	Catalog Number ①	Price U.S. \$
4	C361KJ4	
6	C361KJ6	
Roller Latch ②	C361KR	

- ① The 1/4-inch x 1/2-inch standard mill rectangular locking bar is not supplied with these kits.
- ② Third roller latch for use with 4 or 6-inch handle when 3 point latching is required.

Interlocks and Connecting Rods

Table 8-149. Electrical Interlocks

Circuit	Catalog Number	Price U.S. \$ ③
1NO-1NC	DS200EK1	
2NO-2NC	DS200EK2	

③ Discount Symbol 22CD.

Table 8-150. Connecting Rods — Increase Maximum Allowable Depth by 5 Inches

Application	Catalog Number	Price U.S. \$
Disconnect Switches 30, 60, 100 and 200 A Circuit Breakers 150, 250 and 400 A	C371CS1	
Circuit Breakers 600, 800 and 1200 A	C371CS2	

Type C361 NEMA 12 Safety Door Hardware

Type C361 Door Hardware Kits are designed to function with all C361 and C371 disconnect switches and circuit breaker operating mechanisms.

Product Selection

Table 8-151. Operating Mechanism Variable Depth with Disconnect Switch — Right-Hand Mounting

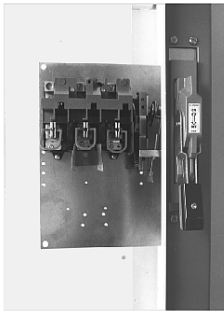
Disconnect Switch Size (Amperes)	Variable Depth Mtg. Range Min./Max. (Inches) ④	Maximum Horsepower Ratings ⑤					Fuse Clip Rating (Amperes) Non-interchangeable Type for Class H, J, K or R Type Fuses Only	Switch and Operating Mechanism Only DOES NOT Include Handle		Switch and Operating Mechanism with 4-Inch Handle ⑥					
		ac System Volts (Motor Volts)				dc Using 2 Poles 250 V Max.		250 V	600 V	Catalog Number	Price U.S. \$	For NEMA 1 or 12 Enclosure		For NEMA 4 Enclosure	
		208 (200)	240 (230)	480 (460)	600 (575)							Catalog Number	Price U.S. \$	Catalog Number	Price U.S. \$
30	7 to 16	7-1/2	7-1/2	15	20	5	Non-fusible		C361NC		C361NC1		C361NC2		
							30	—	C361SC21		C361SC121 ⑦		C361SC221 ⑦		
60	7 to 16	15	15	30	50	10	Non-fusible		C361ND		C361ND1		C361ND2		
							60	30	C361SD22		C361SD122 ⑦		C361SD222 ⑦		
100	7 to 16	25	30	60	75	20	Non-fusible		C361NE		C361NE1		C361NE2		
							100	100	C361SE263		C361SE1263		C361SE2263		
200	7 to 16	40	60	125	150	40	Non-fusible		C361NF1		C361NF1		C361NF2		
							200	200	C361SF264		C361SF1264		C361SF2264		

- ④ Dimension shown is from panel to flange surface.
- ⑤ Refers to rating of switch only.
- ⑥ Components individually boxed and shipped in overpack carton.
- ⑦ For rejection clips, add Suffix Letter R to listed Catalog Number, and add \$9. to price. Example: C361SC121R.

Table 8-152. Handle Only

Application	Operating Handle Length in Inches (mm)	NEMA Type Enclosure	Catalog Number	Price U.S. \$
For use with 30, 60, 100 and 200 Ampere Disconnect Switches	4.00 (101.6)	1-12	C361H1	
	4.00 (101.6)	4	C361H2	
	6.00 (152.4)	1-12	C361H3	
	6.00 (152.4)	4	C361H4	

Discount Symbol 1CD-1



Fixed Depth Application

Product Description

Type C361 Disconnect Switches are suitable for installation in control enclosures having a right-hand flange. Fusible disconnect switches will accept R fuses as standard. Field installable rejection kits are supplied as standard on 100 and 200 ampere clips. For 30 and 60 ampere rejection clips see footnote ③. The switch is UL component recognized for use on systems for use on systems with up to 200,000 rms symmetrical amperes available fault current when Class R clips are supplied.

- Minimum Depth — Flange to Panel
 - 30 A – 60 A: 6-1/2 inches
 - 100 A: 7 inches

Accessories

Table 8-153. Electrical Interlocks

Circuit	Catalog Number	Price U.S. \$ ①
1NO-1NC 2NO-2NC	DS200EK1 DS200EK2	

① Discount Symbol **22CD**.

Arktite is a registered trademark of Crouse-Hinds, a division of Cooper Industries. Cam-Lok and Posi-Lok are registered trademarks of Cooper Industries. Cutler-Hammer is a federally registered trademark of Eaton Corporation. Crouse-Hinds is a federally registered trademark of Cooper Industries. CSA is a registered trademark of the Canadian Standards Association. General Electric is a federally registered trademark of General Electric Company. KRYDON is a trademark of Cooper Crouse Hinds, a division of Cooper Industries. Max-Gard is a federally registered trademark of Thomas & Betts Corporation. The National Electrical Code and NEC are registered trademarks of the National Fire Protection Association, Quincy, Mass. NEMA is the registered trademark and service mark of the National Electrical Manufacturers Association. Powertite is a registered trademark of Appleton Electric. Siemens is a federally registered trademark of Siemens AG. Square D is a federally registered trademark of SNA Holdings Inc. UL and cUL are registered trademarks of the Underwriters Laboratories Inc. Uniform Building Code (UBC) is a trademark of the International Conference of Building Officials (ICBO).

Technical Data and Specifications

Table 8-154. Approximate Dimensions

Frame Size	Dimensions in Inches (mm)				
	A	B	C	D	E
30 – 60 Ampere Disconnect Switch 150 Ampere Circuit Breaker	8.63 (219.2)	11.38 (289.1)	6.50 (165.1)	1.50 (38.1)	9.5 (241.3)
100 Ampere Disconnect Switch 250 Ampere Circuit Breaker	9.88 (251.0)	13.38 (339.9)	7.00 (177.8)	1.25 (31.8)	11.75 (298.5)
400 Ampere Circuit Breaker	9.88 (251.0)	13.38 (339.9)	7.00 (177.8)	1.25 (31.8)	11.75 (298.5)

Table 8-155. Line Lug Data

Disconnect Switch Size	Wire Size
30 Ampere	#2 – 14 Cu/Al
60 Ampere	#2 – 14 Cu/Al
100 Ampere	1/0 – 14 Cu/Al
200 Ampere	250 kcmil – #6 Cu/Al

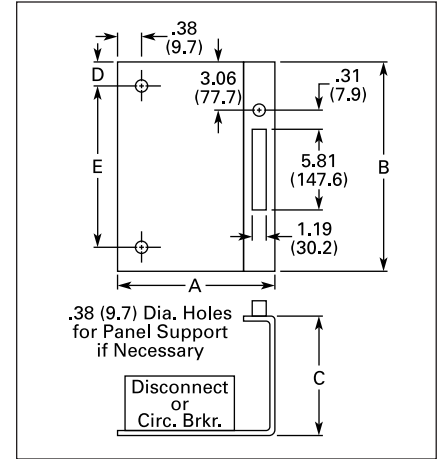


Figure 8-39. Approximate Dimensions in Inches (mm)

Product Selection

Table 8-156. Operating Mechanism Fixed Depth with Disconnect Switch — Right-Hand Mounting

Disconnect Switch Size (Amperes)	Maximum Horsepower Ratings ②					Fuse Clip Rating (Amperes) Non-interchangeable Type for Class H, J, K or R Type Fuses Only		Switch and Operating Mechanism with 4-inch Handle For NEMA 1 or 12 Enclosure	
	ac System Volts (Motor Volts)				dc using 2 Poles 250 V Maximum	250 V	600 V	Catalog Number	Price U.S. \$
	208 (200)	240 (230)	480 (460)	600 (575)					
30	7-1/2	7-1/2	15	20	5	Non-fusible		C361FNC1	
						30	30		
60	15	15	30	50	10	Non-fusible		C361FND1	
						60	60		
100	25	30	60	75	20	Non-fusible		C361FNE1	
						100	100		

② Refers to rating of switch only.

③ For Rejection Clips, add Suffix Letter **R** to listed Catalog Number and add \$9. to price. Example: C361FSC121R.

This page intentionally left blank.